

BORMANN[®] **PRO**
Built to last.



BCP3100
030577

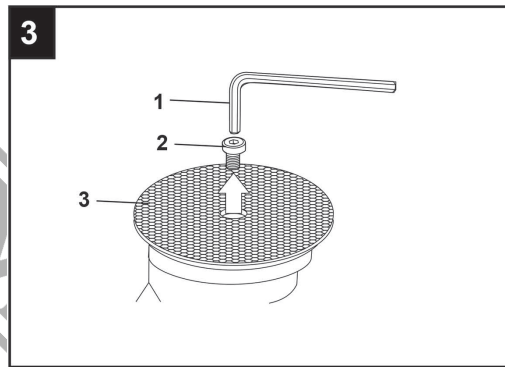
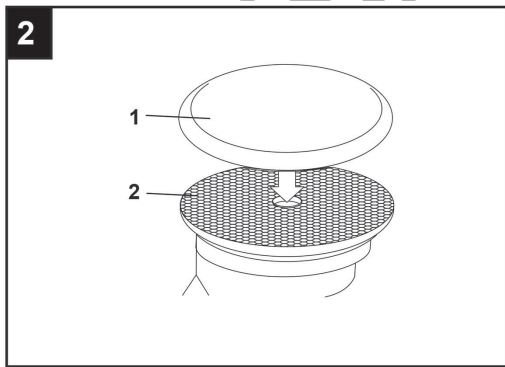
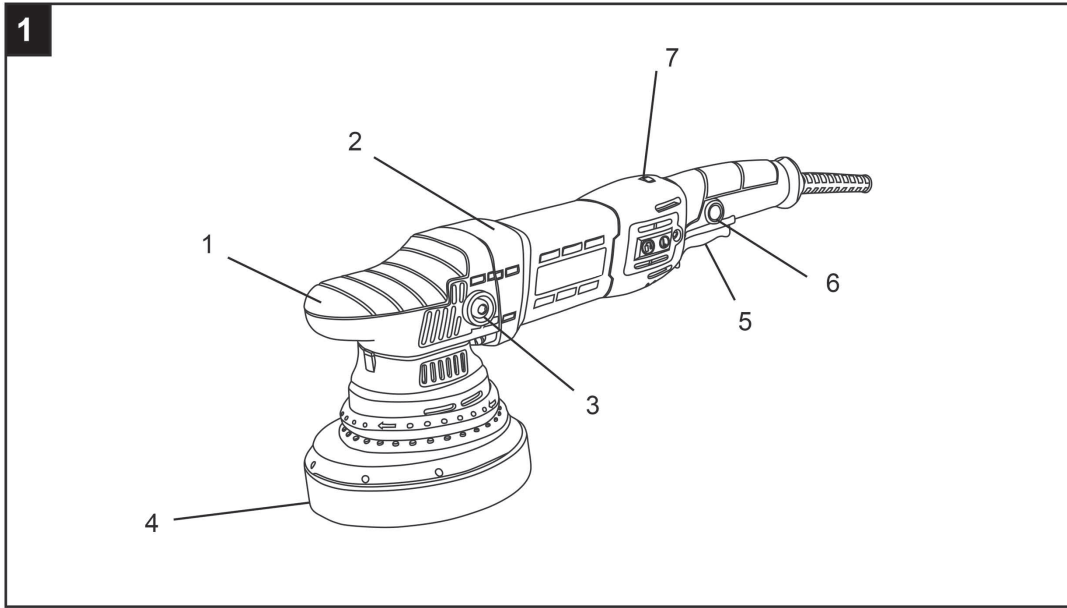
EN

EL

v2.1

WWW.BORMANNTOOLS.COM





General Power Tool Safety

WARNING

Read all safety warnings and all instructions. Failure to follow the warnings and instructions may result in electric shock, fire and/or serious injury. Save all warnings and instructions for future reference.

The term "power tool" in the warnings refers to your mains-operated (corded) power tool or battery operated (cordless) power tool.

Work area safety

- Keep work area clean and well lit. Cluttered or dark areas invite accidents.
- Do not operate power tools in explosive atmospheres, such as in the presence of flammable liquids, gases or dust. Power tools create sparks which may ignite the dust or fumes.
- Keep children and bystanders away while operating a power tool. Distractions can cause you to lose control.

Electrical safety

- Power tool plugs must match the outlet. Never modify the plug in any way. Do not use any adapter plugs with earthed (grounded) power tools. Unmodified plugs and matching outlets will reduce risk of electric shock.
- Avoid body contact with earthed or grounded surfaces such as pipes, radiators, ranges and refrigerators. There is an increased risk of electric shock if your body is earthed or grounded.
- Do not expose power tools to rain or wet conditions. Water entering a power tool will increase the risk of electric shock.
- Do not abuse the cord. Never use the cord for carrying, pulling or unplugging the power tool. Keep cord away from heat, oil, sharp edges or moving parts. Damaged or entangled cords increase the risk of electric shock.
- When operating a power tool outdoors, use an extension cord suitable for outdoor use. Use of a cord suitable for outdoor use reduces the risk of electric shock.
- If operating a power tool in a damp location is unavoidable, use a residual current device (RCD) protected supply. Use of an RCD reduces the risk of electric shock.

Personal safety

Stay alert, watch what you are doing and use common sense when operating a power tool. Do not use a power tool while you are tired or under the influence of drugs, alcohol or medication. A moment of inattention while operating power tools may result in serious personal injury. Use personal protective equipment. Always wear eye protection. Protective equipment such as dust mask, non-skid safety shoes, hard hat, or hearing protection used for appropriate conditions will reduce personal injuries.

- Prevent unintentional starting. Ensure the switch is in the off-position before connecting to power source and/or battery pack, picking up or carrying the tool. Carrying power tools with your finger on the switch or energising power tools that have the switch on invites accidents.
- Remove any adjusting key or wrench before turning the power tool on. A wrench or a key left attached to a rotating part of the power tool may result in personal injury.
- Do not overreach. Keep proper footing and balance at all times. This enables better control of the power tool in unexpected situations.
- Dress properly. Do not wear loose clothing or jewellery. Keep your hair, clothing and gloves away from moving parts. Loose clothes, jewellery or long hair can be caught in moving parts.
- If devices are provided for the connection of dust extraction and collection facilities, ensure these are connected and properly used.

Power tool use and care

- Do not force the power tool. Use the correct power tool for your application. The correct power tool will do the job better and safer at the rate for which it was designed.
- Do not use the power tool if the switch does not turn it on and off. Any power tool that cannot be controlled with the switch is dangerous and must be repaired.
- Disconnect the plug from the power source and/or the battery pack from the power tool before making any adjustments, changing accessories, or storing power tools. Such preventive safety measures reduce the risk of starting the power tool accidentally.
- Store idle power tools out of the reach of children and do not allow persons unfamiliar with the power tool or these instructions to operate the power tool. Power tools are dangerous in the hands of untrained users.
- Maintain power tools. Check for misalignment or binding of moving parts, breakage of parts and any other condition that may affect the power tool's operation. If damaged, have the power tool repaired before use. Many accidents are caused by poorly maintained power tools.
- Keep cutting tools sharp and clean. Properly maintained cutting tools with sharp cutting edges are less likely to bind and are easier to control.
- Use the power tool, accessories and tool bits etc. in accordance with these instructions. Use of the power tool for operations different from those intended could result in a hazardous situation.

Safety Instructions for Orbital Polisher

This power tool is intended to function as a polisher. Read all safety warnings, instructions, illustrations and specifications provided with this power tool. Failure to follow all instructions listed below may result in electric shock, fire and/or serious injury.

- Operations such as grinding, sanding, wire brushing, or cutting-off are not recommended to be performed with this power tool. Operations for which the power tool was not designed may create a hazard and cause personal injury.
- Do not use accessories which are not specifically designed and recommended by the tool manufacturer. Just because the accessory can be attached to your power tool, it does not assure safe operation.
- The rated speed of the accessory must be at least equal to the maximum speed marked on the power tool. Accessories running faster than their rated speed can break and fly apart.
- The outside diameter and the thickness of your accessory must be within the capacity rating of your power tool. Incorrectly sized accessories cannot be adequately guarded or controlled.
- Threaded mounting of accessories must match the grinder spindle thread. For accessories mounted by flanges, the arbour hole of the accessory must fit the locating diameter of the flange. Accessories that do not match the mounting hardware of the power tool will run out of balance, vibrate excessively and may cause loss of control.
- Do not use a damaged accessory. Before each use inspect the accessory such as abrasive wheels for chips and cracks, backing pad for cracks, tear or excess wear, wire brush for loose or cracked wires. If power tool or accessory is dropped, inspect for damage or install an undamaged accessory. After inspecting and installing an accessory, position yourself and bystanders away from the plane of the rotating accessory and run the power tool at maximum no-load speed for one minute. Damaged accessories will normally break apart during this test time.

- Wear personal protective equipment. Depending on application , use face shield, safety goggles or safety glasses. As appropriate, wear dust mask, hearing protectors, gloves and workshop apron capable of stopping small abrasive or workpiece fragments. The eye protection must be capable of stopping flying debris generated by various operations. The dust mask or respirator must be capable of filtering particles generated by your operation. Prolonged exposure to high intensity noise may cause hearing loss.
- Keep bystanders a safe distance away from work area. Anyone entering the work area must wear personal protective equipment. Fragments of workpiece or of a broken accessory may fly away and cause injury beyond immediate area of operation.
- Hold the power tool by insulated gripping surfaces only, when performing an operation where the cutting accessory may contact hidden wiring or its own cord. Cutting accessory contacting a "live" wire may make exposed metal parts of the power tool "live" and could give the operator an electric shock.
- Position the cord clear of the spinning accessory . If you lose control, the cord may be cut or snagged and your hand or arm may be pulled into the spinning accessory.
- Never lay the power tool down until the accessory has come to a complete stop. The spinning accessory may grab the surface and pull the power tool out of your control.
- Do not run the power tool while carrying it at your side. Accidental contact with the spinning accessory could snag your clothing, pulling the accessory into your body.
- Regularly clean the power tool's air vents. The motor's fan will draw the dust inside the housing and excessive accumulation of powdered metal may cause electrical hazards
- Do not operate the power tool near flammable materials. Sparks could ignite these materials.
- Do not use accessories that require liquid coolants. Using water or other liquid coolants may result in electrocution or shock.

Kickback and Related Warnings

Kickback is a sudden reaction to a pinched or snagged rotating wheel, backing pad, brush or any other accessory. Pinching or snagging causes rapid stalling of the rotating accessory which in turn causes the uncontrolled power tool to be forced in the direction opposite of the accessory's rotation at the point of the binding.

For example, if an abrasive wheel is snagged or pinched by the workpiece , the edge of the wheel that is entering into the pinch point can dig into the surface of the material causing the wheel to climb out or kick out. The wheel may either jump toward or away from the operator, depending on direction of the wheel's movement at the point of pinching. Abrasive wheels may also break under these conditions. Kickback is the result of power tool misuse and/or incorrect operating procedures or conditions and can be avoided by taking proper precautions as given below.

- Maintain a firm grip on the power tool and position your body and arm to allow you to resist kickback forces. Always use auxiliary handle, if provided, for maximum control over kickback or torque reaction during start-up. The operator can control torque reactions or kickback forces, if proper precautions are taken.
- Never place your hand near the rotating accessory. Accessory may kickback over your hand.
- Do not position your body in the area where power tool will move if kickback occurs. Kickback will propel the tool in direction opposite to the wheel's movement at the point of snagging.
- Use special care when working corners, sharp edges etc. Avoid bouncing and snagging the accessory. Corners , sharp edges or bouncing have a tendency to snag the rotating accessory and cause loss of control or kickback. Do not attach a saw chain woodcarving blade or toothed saw blade. Such blades create frequent kickback and loss of control.

Safety Warnings Specific for Polishing Operations

- Do not allow any loose portion of the polishing bonnet or its attachment strings to spin freely . Tuck away or trim any loose attachment strings . Loose and spinning attachment strings can entangle your fingers or snag on the workpiece.

Additional safety instructions

- The mains voltage and the voltage specifications on the rating plate must correspond .
- Do not press the spindle lock until the tool stops.

Description of main parts

Fig.1

1. Grip
2. Gear head
3. Polishing head screw
4. Velcro pad
5. Switch
6. Locking button locks the switch
7. Dial for preselecting the speed

Fig.2

1. Polishing tool
2. Velcro pad

Fig.3

1. Hexagonal wrench
2. Screw
3. Velcro pad

Technical Data	
Voltage/Frequency	220-240V - 50Hz
Power	1200W
No-load speed	1400 - 4800 rpm
Tool Max diameter	150 mm
Pitch circle diameter	15 mm

Operating Instructions

WARNING! Before carrying out any work on the polisher, always pull out the mains plug. Before switching on the polisher Unpack the polisher and check that there are no missing or damaged parts.

Attaching or changing tools (Fig.2)

- Pull out the mains plug.
- Firmly press polishing tool (1), centred on the eye, onto the Velcro pad (2). Use undamaged polishing tools only.
- Insert the mains plug into the socket.
- Switch on the polisher (without engaging it) and run the polisher for approx. 30 sec. Check for imbalances and vibrations.
- Switch off the polisher



Switch Action

- Press and hold down the switch (5).
- To switch off, release the switch (5).

Continuous operation with engaged switch rocker

- Press and hold down the switch (5).
- To lock into position, hold down the locking button (6) and release the switch.
- To switch off, briefly press and release the switch (5).

Preselecting the speed

- To set the operating speed, move the speed dial (7) to the required value. Speed range from minimum RPM (position "1"), up to maximum RPM (position "6").

Gears

NOTE. Do not loosen the screws (3) on the gear head during the warranty period. Non-compliance will deem the guarantee obligations of the manufacturer null and void.

Changing the Velcro pad (Fig.3)

- Pull out the mains plug.
- Remove the polishing tool.
- Place machine on its back.
- Release and remove screw (2) with wrench (1).
- Remove worn Velcro pad (3).
- Remove contaminants from interior.
- Fit new Velcro pad and align securing holes.
- Insert screw (2) and tighten with wrench (1).
- Carry out test run. Check for imbalances and vibrations.

Functional instructions

CAUTION! When the polisher is switched off, the polishing tool continues running briefly.

NOTE Following a tool change (e.g. wool pad instead of polishing sponge), the difference in weight may increase the vibrations. Change the operating speed with the adjusting wheel (button) until the vibrations have been reduced.

- Switch on the machine before placing it on the surface which is to be polished and run the polisher up to the set speed.
- Applying light contact pressure, move the polisher in circular, overlapping movements on the surface which is to be polished in order to obtain a good polishing finish and to ensure that the tool has a long service life.
- On sensitive surfaces (e.g. car paintwork) do not work aggressively but work at slow speeds applying low contact pressure.
- If using a polishing paste, use the respective tool for each paste.

Maintenance and Care

WARNING! Before carrying out any work on the polisher, always pull out the mains plug.

Cleaning

- Regularly clean the power tool and ventilation slots. Frequency of cleaning is dependent on the material and duration of use.
- Regularly blow out the housing interior and motor with dry compressed air.

Carbon brushes

NOTE. Use only original parts supplied by the manufacturer for replacement purposes. If non-original parts are used, the guarantee obligations of the manufacturer will be deemed null and void. When the polisher is being used, the carbon brushes can be seen sparking through the rear air inlet apertures. If the carbon brushes spark excessively, switch off the polisher immediately.

Take the polisher to a customer service workshop authorised by the manufacturer.

EN * The manufacturer reserves the right to make minor changes to product design and technical specifications without prior notice unless these changes significantly affect the performance and safety of the products. The parts described / illustrated in the pages of the manual that you hold in your hands may also concern other models of the manufacturer's product line with similar features and may not be included in the product you just acquired.

* To ensure the safety and reliability of the product and the warranty validity, all repair, inspection, repair or replacement work, including maintenance and special adjustments, must only be carried out by technicians of the authorized service department of the manufacturer.

* Always use the product with the supplied equipment. Operation of the product with non-provided equipment may cause malfunctions or even serious injury or death. The manufacturer and the importer shall not be liable for injuries and damages resulting from the use of non-conforming equipment

Οδηγίες ασφαλούς χρήσης

ΠΡΟΣΟΧΗ

Προσοχή! Διαβάστε όλες τις οδηγίες ασφαλείας και τις προειδοποιήσεις. Η μη τήρηση τους μπορεί να οδηγήσει σε σοβαρό τραυματισμό.

Φυλάξτε όλες τις οδηγίες ασφαλείας σε ένα ασφαλές σημείο για μελλοντική αναφορά.

Ο όρος ηλεκτρικό εργαλείο που χρησιμοποιείται στις οδηγίες ασφαλείας αναφέρεται σε εργαλεία που λειτουργούν με ρεύμα (καλώδιο) ή με μπαταρία (χωρίς καλώδιο).

Ασφάλεια χώρου εργασίας

α) Κρατήστε το χώρο εργασίας σας καθαρό και με καλό φωτισμό. Οι ακατάστατοι ή σκοτεινοί χώροι μπορεί να αποτελέσουν αιτία τραυματισμού.

β) Μη λειτουργείτε τα ηλεκτρικά εργαλεία σε χώρους όπου υπάρχουν εύφλεκτα υλικά, αέρια ή σκόνης. Τα ηλεκτρικά εργαλεία μπορεί να δημιουργήσουν σπινθηρισμό και να προκαλέσουν φωτιά.

γ) Κρατήστε παιδιά και άλλα άτομα μακριά ενώ λειτουργείτε το εργαλείο αυτό. Οι περιπασμοί μπορεί να σας κάνουν να χάσετε τον έλεγχο.

Ηλεκτρική ασφάλεια

α) Τα ηλεκτρικά εργαλεία θα πρέπει να ταιριάζουν με την πρίζα. Μην τροποποιήσετε ποτέ το βύσμα. Μη χρησιμοποιείτε αντάπτορες στα γειωμένα ηλεκτρικά εργαλεία. Τα άθικτα βύσματα και οι πρίζες οι οποίες ταιριάζουν θα μειώσουν τον κίνδυνο ηλεκτροπληξίας.

β) Αποφύγετε την επαφή με γειωμένα αντικείμενα, όπως σωλήνες ψυγεία κ.α.. Υπάρχει αυξημένος κίνδυνος κίνδυνος ηλεκτροπληξίας εάν το σώμα σας είναι γειωμένο.

γ) Μην εκθέτετε το εργαλείο στη βροχή ή σε συνθήκες όπου υπάρχει υγρασία. Η εισαγωγή νερού στο εσωτερικό ενός ηλεκτρικού εργαλείου θα αυξήσει τον κίνδυνο ηλεκτροπληξίας.

δ) Μη χρησιμοποιείτε το καλώδιο για να μεταφέρετε το εργαλείο ή για να το αποσυνδέσετε από την πρίζα. Κρατήστε το καλώδιο μακριά από ζεστές επιφάνειες, λάδι, αιχμηρά αντικείμενα ή κινούμενα μέρη. Τα χαλασμένα ή ημπερδεμένα καλώδια αυξάνουν τον κίνδυνο ηλεκτροπληξίας.

ε) Όταν χρησιμοποιείτε ένα ηλεκτρικό εργαλείο σε εξωτερικό χώρο, θα πρέπει χρησιμοποιήσετε μια προέκταση κατάλληλη για εξωτερική χρήση. Η χρήση ενός κατάλληλου καλωδίου για εξωτερική χρήση μειώνει τον κίνδυνο ηλεκτροπληξίας.

στ.) Σε περίπτωση που η λειτουργία ενός ηλεκτρικού εργαλείου σε χώρο όπου υπάρχουν υψηλά ποσοστά υγρασίας δεν μπορεί να αποφευχθεί χρησιμοποιήστε μια ασφάλεια βραχυκύκλωσης για προστασία. Η χρήση αυτής της ασφάλειας μειώνει τον κίνδυνο ηλεκτροπληξίας.

Προσωπική ασφάλεια

α) Δώστε μεγάλη προσοχή κατά την εργασία σας και χρησιμοποιήστε κοινή λογική όταν χρησιμοποιείτε ηλεκτρικά εργαλεία. Μη χρησιμοποιείτε το εργαλείο όταν είστε κουρασμένοι ή βρίσκεστε κάτω από την επίρρεια ουσιών, αλκοόλ ή φαρμάκων. Μια στιγμή απροσεξίας κατά την λειτουργία μπορεί να προκαλέσει σοβαρό τραυματισμό.

β) Χρησιμοποιήστε προσωπικά είδη προστασίας. Φοράτε πάντα γυαλιά προστασίας. Εξαρτήματα προστασίας όπως μάσκα σκόνης, υποδήματα προστασίας, κράνος ή ωτοασπίδες τα οποία χρησιμοποιούνται σε κατάλληλες συνθήκες μειώνουν τον κίνδυνο τραυματισμού.

γ) Αποφύγετε την ακούσια εκκίνηση του εργαλείου. Σιγουρευτείτε ότι ο διακόπτης βρίσκεται στην θέση Off προτού συνδέσετε το εργαλείο στην πρίζα και προτού σηκώσετε ή μεταφέρετε το εργαλείο. Η μεταφορά του εργαλείου με το δάχτυλο στο διακόπτη μπορεί να προκαλέσει ατυχήματα.

δ) Αφαιρέστε όλα τα κλειδιά ρύθμισης από το εργαλείο προτού το θέσετε σε λειτουργία. Ένα κλειδί μπορεί να εκτοξευτεί και να προκαλέσει σοβαρό τραυματισμό.

ε) Μην τεντώνετε. Κρατήστε σταθερό πάτημα και ισορροπία κάθε στιγμή. Αυτό σας επιτρέπει να έχετε καλύτερο έλεγχο του εργαλείου σας ανά πάσα στιγμή. στ.) Ντυθείτε κατάλληλα. Μη φοράτε φαρδιά ρούχα και κοσμήματα. Κρατήστε τα μαλλιά, τα ρούχα και τα γάντια σας μακριά από τα κινούμενα μέρη του εργαλείου. Τα φαρδιά ρούχα, τα κοσμήματα και τα μακριά μαλλιά μπορεί να πιαστούν στα κινούμενα μέρη του εργαλείου.

ζ) Εάν το εργαλείο σας συμπεριλαμβάνει σύνδεση με σύστημα αναρρόφησης σκόνης σιγουρευτείτε ότι το έχετε συνδέσει σωστά και ότι το χρησιμοποιείτε κατάλληλα. Η χρήση αυτού του συστήματος μπορεί να μειώσει τους κινδύνους που συσχετίζονται με την σκόνη.

Χρήση και συντήρηση εργαλείου

α) Μην υπερφορτώνετε το εργαλείο. Χρησιμοποιήστε το κατάλληλο εργαλείο για την κατάλληλη εργασία. Το σωστό εργαλείο θα κάνει την εργασία πιο αποδοτική και με μεγαλύτερη ασφάλεια στο ρυθμό για το οποίο σχεδιάστηκε.

β) Μη χρησιμοποιείτε το εργαλείο εάν ο διακόπτης δεν λειτουργεί. Οποιοδήποτε εργαλείο που δεν μπορεί να ελεγχθεί είναι επικίνδυνο και πρέπει να επισκευαστεί.

γ) Αποσυνδέστε το εργαλείο από την πρίζα προτού πραγματοποιήσετε τυχόν ρυθμίσεις, αλλαγή εξαρτημάτων όπως επίσης και πριν από την αποθήκευση του. Με τον τρόπο αυτό μειώνετε τον κίνδυνο της ακούσιας εκκίνησης.

δ) Αποθηκεύστε τα εργαλεία μακριά από τα παιδιά και μην επιτρέπετε σε άτομα που δεν γνωρίζουν τις οδηγίες χρήσης και ασφαλείας να τα χρησιμοποιήσουν. Τα ηλεκτρικά εργαλεία είναι επικίνδυνα στα χέρια ατόμων που δεν έχουν την κατάλληλη γνώση.

ε) Συντηρήστε τα ηλεκτρικά εργαλεία. Ελέγξτε για προβλήματα στα κινούμενα μέρη, για σπασμένα ανταλλακτικά και για όποια άλλη κατάσταση μπορεί να επηρεάσει τον τρόπο λειτουργίας του εργαλείου. Εάν το εργαλείο είναι χαλασμένο θα πρέπει να παραδοθεί σε ένα εξουσιοδοτημένο τμήμα σέρβις προς επισκευή. Πολλά ατυχήματα μπορεί να προκύψουν από ένα ελλιπώς συντηρημένο εργαλείο.

στ) Κρατήστε το εξάρτημα κοπής αιχμηρό. Το εξάρτημα κοπής που είναι αιχμηρό είναι πιο απίθανο να μπλοκάρει και πιο εύκολο να ελεγχθεί.

ζ) Χρησιμοποιήστε τα εργαλεία, τα εξαρτήματα και τα ανταλλακτικά σύμφωνα με τις οδηγίες αυτές λαμβάνοντας υπόψιν τις συνθήκες εργασίας και την εργασία που θέλετε να εκτελέσετε. Η χρήση του εργαλείου για διαφορετικές λειτουργίες από αυτές για τις οποίες έχει σχεδιαστεί μπορεί να προκαλέσει επικίνδυνες καταστάσεις.

Ειδικές οδηγίες ασφαλείας για εργαλεία στίλβωσης

- Αυτό το ηλεκτρικό εργαλείο είναι σχεδιασμένο για εργασίες στίλβωσης. Διαβάστε όλες τις προειδοποιήσεις ασφαλείας, τις οδηγίες, τις εικόνες και τις προδιαγραφές που παρέχονται με αυτό το ηλεκτρικό εργαλείο. Η μη τήρηση όλων των οδηγιών που αναγράφονται σε αυτό το εγχειρίδιο ενδέχεται να οδηγήσουν σε ηλεκτροπληξία, πυρκαγιά ή / και σοβαρό τραυματισμό.

- Δεν συνιστάται η εκτέλεση εργασιών όπως είναι η κοπή και η λείανση υλικών αντικαθιστώντας τις εργασίες που πραγματοποιούνται με γωνιακούς τροχούς ή τριβεία.

- Η χρήση του εργαλείου για αυτού του τύπου εργασίες ενδέχεται να δημιουργήσουν κινδύνους και να προκαλέσουν τραυματισμό.

- Μη χρησιμοποιείτε αξεσουάρ που δεν έχουν σχεδιαστεί ειδικά για χρήση με αυτό το εργαλείο και δεν συνιστανται από τον κατασκευαστή. Ακριβώς επειδή το αξεσουάρ μπορεί να συνδεθεί στο ηλεκτρικό σας εργαλείο, δεν διασφαλίζει την ασφαλή λειτουργία του.

- Η ονομαστική ταχύτητα του αξεσουάρ πρέπει να είναι τουλάχιστον ίση με τη μέγιστη ταχύτητα που αναγράφεται στο ηλεκτρικό εργαλείο. Τα αξεσουάρ που περιστρέφονται με μεγαλύτερη ταχύτητα από την ονομαστική τους ταχύτητα μπορούν να σπάσουν και να διαχωριστούν.

- Η εξωτερική διάμετρος και το πάχος του αξεσουάρ σας πρέπει να αντιστοιχούν στα χαρακτηριστικά του ηλεκτρικού σας εργαλείου. Τα αξεσουάρ με ακατάλληλο μέγεθος δεν μπορούν να καλυφθούν πλήρως ή να ελεγχθούν επαρκώς.

• Βεβαιωθείτε πως το σπείρωμα σύνδεσης του εξαρτήματος ταιριάζει με το σπείρωμα σύνδεσης του εργαλείου. Για αξεσουάρ που στερεώνονται με φλάντζες σύσφιξης, η οπή άξονα του εξαρτήματος πρέπει να ταιριάζει με την διάμετρο της φλάντζας. Τα αξεσουάρ που δεν ταιριάζουν με τα εξαρτήματα συγκράτησης του ηλεκτρικού εργαλείου θα φθαρούν πρόωρα, θα δημιουργήσουν κραδασμούς και ενδέχεται να προκαλέσουν απώλεια ελέγχου.

• Μη χρησιμοποιείτε αξεσουάρ και εξαρτήματα που έχουν υποστεί βλάβη. Πριν από κάθε χρήση, Ελέγξτε τα εξαρτήματα στίλβωσης για ρωγμές και σπασμένα σημεία, τις φλάντζες για ρωγμές, ή άλλες ενδείξεις φθοράς και τις βούρτσες για απώλεια των συρμάτων.

Σε περίπτωση που το εργαλείο πέσει από τα χέρια σας θα πρέπει να ελεγχθεί για τυχόν βλάβες και να αντικατασταθεί με ένα νέο όποιο εξάρτημα έχει υποστεί βλάβη. Μετά από τον έλεγχο και την αντικατάσταση του χαλασμένου εξαρτήματος πραγματοποιήστε λειτουργία χωρίς φορτίο διάρκειας ενός λεπτού αφού πρώτα απομακρύνετε παρευρισκόμενους και πάρτε και εσείς την κατάλληλη απόσταση ασφαλείας.

Κατά την διάρκεια αυτής της δοκιμαστικής λειτουργίας τα εξαρτήματα τα οποία έχουν υποστεί βλάβες μπορεί να σπάσουν και να αποκολληθούν.

Φορέστε προσωπικά είδη προστασίας.

Αναλόγως με την εργασία που πρόκειται να εκτελέσετε χρησιμοποιήστε μάσκα προστασίας, ακουστικά προστασίας, γάντια και ποδιά ικανή να σταματήσει μικρά θραύσματα και ρινίσματα που αποκαλούνται κατά την διάρκεια των εργασιών. Η μάσκα ή τα γυαλιά προστασίας θα πρέπει να έχουν την ικανότητα να σταματούν τα ρινίσματα και τα θραύσματα τα οποία εκσφενδονίζονται κατά την διάρκεια της εργασίας. Η μάσκα προστασίας θα πρέπει να έχει την ικανότητα να εμποδίζει τα σωματίδια που δημιουργούνται κατά την διάρκεια της εργασίας. Η μακροχρόνια έκθεση σε μεγάλης έντασης θόρυβο μπορεί να προκαλέσει απώλεια ακοής.

Κρατήστε τους παρευρισκόμενους μακριά από τον χώρο κατεργασίας. Οποιοσδήποτε εισέλθει στο χώρο εργασίας θα πρέπει να φοράει προσωπικά είδη προστασίας. Κατά την διάρκεια της εργασίας μπορεί να αποκολληθούν τμήματα του υλικού κατεργασίας ή και των σπασμένων εξαρτημάτων του εργαλείου και να εκσφενδονιστούν σε μεγάλη απόσταση εκτός του άμεσου χώρου εργασίας και να προκαλέσουν τραυματισμούς.

Κρατήστε το ηλεκτρικό εργαλείο από τις μονωμένες επιφάνειες όταν το χρησιμοποιείτε κοντά σε καλωδιώσεις ή σε μικρή απόσταση από το δικό καλώδιο τροφοδοσίας του. Η επαφή με κάποιο ενεργό καλώδιο μπορεί να μετατρέψει και τα μεταλλικά εξαρτήματα σε ζωντανά πράγμα που μπορεί με την σειρά του να οδηγήσει σε ηλεκτροπληξία.

Κρατήστε το καλώδιο μακριά από τα περιστρεφόμενα μέρη, σε περίπτωση που χάσετε τον έλεγχο του εργαλείου μπορεί να κοπεί ή να πιαστεί και να τραβήξει το χέρι σας προς την κατεύθυνση του εργαλείου.

Ποτέ μην αφήσετε το εργαλείο εάν δεν είναι εντελώς ακινητοποιημένο, το περιστρεφόμενο μέρος μπορεί να πιαστεί στην επιφάνεια που το ακουμπήσατε και να φύγει από τον έλεγχο σας.

Ποτέ μην μεταφέρετε κρατώντας το εργαλείο στα δεξιά ή στα αριστερά σας ενώ λειτουργεί, μπορεί να πιαστεί στα ρούχα σας και να κατευθυνθεί προς το σώμα σας.

Πραγματοποιήστε περιοδικό έλεγχο και καθαρισμό των οπών αερισμού-ψύξης του εργαλείου, ο ανεμιστήρας του κινητήρα αναρροφάει τη σκόνη που δημιουργείται κατά την διάρκεια της εργασίας, η οποία στην συνέχεια επικολλάται στο εσωτερικό του εργαλείου πράγμα που μπορεί να δημιουργήσει σοβαρά προβλήματα στο ηλεκτρικό του κύκλωμα.

Μη χρησιμοποιείτε το εργαλείο κοντά σε εύφλεκτα υλικά. Οι σπίθες που δημιουργούνται κατά την διάρκεια κάποιων εργασιών μπορεί να δημιουργήσουν ανάφλεξη.

Μην χρησιμοποιείτε εξαρτήματα τα οποία λειτουργούν με εφαρμοζόμενα υγρά ψύξης. Χρησιμοποιώντας νερό ή άλλα ψυκτικά υγρά θέτετε τον εαυτό σας σε κίνδυνο ηλεκτροπληξίας.

Ανάκρουση (Κλότσημα) και σχετικές προειδοποιήσεις ασφαλείας

Η ανάκρουση είναι μια ακαριαία αντίδραση που παρουσιάζεται κατά την περιστροφή των εξαρτημάτων του εργαλείου. Κατά την περιστροφή των παρελκομένων (δίσκοι λείανσης, δίσκοι κοπής, βούρτσες, πέλματα κ.α.) μπορεί να πιαστούν μέσα στο υλικό πράγμα το οποίο μπορεί να οδηγήσει σε ανάδρομη ώθηση και με την σειρά του σε απώλεια ελέγχου. Για παράδειγμα κατά την κατεργασία ενός υλικού ο δίσκος λείανσης μπορεί να πιαστεί μέσα στο υλικό και να τείνει να αναπηδήσει προς τα έξω. Η αναπήδηση αυτή μπορεί να έχει κατεύθυνση από και προς το μέρος του χειριστή ανάλογα με την φορά περιστροφής του δίσκου. Οι δίσκοι ενδέχεται να σπάσουν υπό αυτές τις συνθήκες. Η ανάκρουση είναι αποτέλεσμα λανθασμένης χρήσης του εργαλείου και μπορεί να αποφευχθεί ακολουθώντας τις παρακάτω οδηγίες.

Κρατήστε σφικτά και σταθερά το εργαλείο και τοποθετήστε το σώμα σας και τον ώμο σας έτσι ώστε να έχετε την δυνατότητα να φέρετε αντίσταση στα λακτίσματα. Χρησιμοποιήστε πάντοτε την βοηθητική λαβή εφόσον παρέχεται, έτσι ώστε να έχετε τον πλήρη έλεγχο των λακτισμάτων και άλλων αντιδράσεων που παρουσιάζονται κατά την διάρκεια της εργασίας και την εκκίνηση της. Όλες οι παραπάνω αντιδράσεις μπορούν υπό φυσιολογικές συνθήκες να αντιμετωπιστούν από τον χειριστή εάν έχουν ληφθεί τα απαιτούμενα μέτρα.

Ποτέ μην φέρετε το χέρι σας κοντά στα κινούμενα μέρη, μπορεί να γίνει κλότσημα προς το χέρι σας.

Μην τοποθετείτε το σώμα σας στην περιοχή την οποία μπορεί να κινηθεί το εργαλείο όταν γίνει η ανάκρουση. Η ανάκρουση συνήθως δημιουργεί την τάση μετακίνησης του σώματος του εργαλείου αντίθετα από την φορά περιστροφής του δίσκου.

Δώστε μεγάλη προσοχή όταν χρησιμοποιείτε το εργαλείο κοντά σε γωνίες, αιχμηρές ακμές κτλ. Αποφύγετε τις αναπηδήσεις και τα μπλοκαρίσματα των παρελκομένων. Οι γωνίες και οι αιχμές έχουν την ιδιότητα να μπλοκάρουν τα περιστρεφόμενα μέρη και με την σειρά τους να οδηγήσουν σε απώλεια ελέγχου.

Ποτέ μην τοποθετήσετε δίσκο κοπής ξύλου ή σύστημα κοπής με αλυσίδα. Αυτού του τύπου οι δίσκοι δημιουργούν ανάκρουση σε μεγάλο βαθμό και μπορεί να είναι εξαιρετικά επικίνδυνοι.

Ειδικές οδηγίες ασφαλείας

• Μην χρησιμοποιείτε το εργαλείο σε περίπτωση που το εξάρτημα λείανσης έχει φθαμένα τμήματα. Σε περίπτωση που προεξέχουν ίνες του υλικού λείανσης θα πρέπει να απενεργοποιήσετε το εργαλείο και να τις αφαιρέσετε. Τα αποκομμένα ή τα προεξέχοντα τμήματα ενδέχεται να πιαστούν στα δάκτυλά σας και να οδηγήσουν σε τραυματισμό.

Πρόσθετες οδηγίες ασφαλείας

• Η τάση του δικτύου παροχής ηλεκτρικού ρεύματος θα πρέπει να είναι ίδια με την τάση που αναγράφεται στην πινακίδα τεχνικών χαρακτηριστικών του εργαλείου.

• Μην πιέζετε το κουμπί ασφαλίσης του άξονα μέχρι να ακινητοποιηθεί πλήρως το εργαλείο.

Περιγραφή Βασικών τμημάτων και εξαρτημάτων

Εικόνα 1

1. Εργονομική λαβή
2. Κέλυφος Η/Κ - κιβωτίου
3. Βίδα κεφαλής στίλβωσης
4. Πέλμα αυτοπρόσφυσης
5. Διακόπτης σκανδάλη ON/OFF
6. Κουμπί ασφάλισης του διακόπτη (συνεχούς λειτουργίας)
7. Επιλογέας ελέγχου ταχύτητας περιστροφής

Εικόνα 2

1. Εξάρτημα/αξεσουάρ στίλβωσης
2. Πέλμα αυτοπρόσφυσης

Εικόνα 3

1. Κλειδί τύπου Άλλεν
2. Βίδα σύσφιξης
3. Πέλμα αυτοπρόσφυσης

Οδηγίες λειτουργίας

ΠΡΟΕΙΔΟΠΟΙΗΣΗ! Πριν εκτελέσετε οποιαδήποτε εργασία στο ίδιο το εργαλείο, αποσυνδέετε πάντοτε πρώτα το βύσμα τροφοδοσίας του εργαλείου από την πρίζα. Ελέγξτε την αρχική συσκευασία του εργαλείου και βεβαιωθείτε ότι διαθέτει όλα τα εξαρτήματα και αξεσουάρ που συνοδεύουν το εργαλείο. Βεβαιωθείτε πως όλα τα παρεχόμενα εξαρτήματα βρίσκονται σε καλή κατάσταση.

Σύνδεση / αντικατάσταση εξαρτημάτων στίλβωσης (Εικ. 2)

- Αποσυνδέστε το βύσμα τροφοδοσίας του εργαλείου από την πρίζα.
- Τοποθετήστε το αξεσουάρ στίλβωσης (1) ευθυγραμμίζοντας το στο πέλμα στίλβωσης (2). Μη χρησιμοποιείτε φθαρμένα αξεσουάρ στίλβωσης.
- Συνδέστε το βύσμα τροφοδοσίας του εργαλείου από την πρίζα.
- Ενεργοποιήστε το εργαλείο και περιμένετε για περίπου 30 δευτερόλεπτα αφήνοντάς σε λειτουργία χωρίς φορτίο. Ελέγξτε την κατάσταση λειτουργίας του και βεβαιωθείτε πως δεν δημιουργούνται κραδασμοί.
- Απενεργοποιήστε το εργαλείο.

Περιγραφή λειτουργίας του διακόπτη

- Για να ενεργοποιήσετε το εργαλείο πιέστε την σκανδάλη (5).
- Για να απενεργοποιήσετε το εργαλείο αφήστε την σκανδάλη (5).

Συνεχής λειτουργία

- Πιέστε και κρατήστε πατημένη την σκανδάλη (5).
- Καθώς πιέζετε την σκανδάλη, πιέστε το κουμπί ασφάλισης της σκανδάλης (6) και αφήστε την σκανδάλη.
- Για να διακόψετε την συνεχή λειτουργία πιέστε την σκανδάλη (5).

Προεπιλογή της ταχύτητας περιστροφής

- Για να επιλέξετε την κατάλληλη ταχύτητα περιστροφής, ρυθμίστε τον επιλογέα (7) στην απαιτούμενη τιμή. Εύρος ταχύτητας από μικρότερη ταχύτητα περιστροφής (θέση "1"), έως την μέγιστη ταχύτητα (θέση "6")

Γρανάζια και κιβώτιο ταχυτήτων

ΣΗΜΕΙΩΣΗ: Μην ξεσφίγγετε τις βίδες (3) που βρίσκονται στην κεφαλή του εργαλείου κατά τη διάρκεια της περιόδου εγγύησης. Η μη συμμόρφωση με τις οδηγίες του εγχειριδίου θα οδηγήσει στην ακύρωση της εγγύησης.

Αντικατάσταση του πέλματος στίλβωσης (Εικόνα 3)

- Αποσυνδέστε το βύσμα τροφοδοσίας του εργαλείου από την πρίζα.
- Αφαιρέστε το εξάρτημα στίλβωσης.
- Τοποθετήστε το εργαλείο ανάποδα με το εργαλείο σε έναν κατάλληλο πάγκο εργασίας.
- Ξεσφίξτε και αφαιρέστε την βίδα (2) χρησιμοποιώντας το κλειδί τύπου Άλλεν (1).
- Αφαιρέστε το φθαρμένο πέλμα στίλβωσης (3).
- Καθαρίστε τις εσωτερικές επιφάνειες που βρίσκονται πίσω από το πέλμα στίλβωσης.
- Τοποθετήστε το καινούργιο πέλμα στίλβωσης ευθυγραμμίζοντας τις οπές στίλβωσης.
- Τοποθετήστε την βίδα (2) και σφίξτε την χρησιμοποιώντας το κλειδί τύπου Άλλεν (1).
- Ενεργοποιήστε το εργαλείο και ελέγξτε την λειτουργία του. Βεβαιωθείτε πως το εργαλείο δεν δημιουργεί κραδασμούς κατά την διάρκεια λειτουργίας του.

Περιγραφή βασικής λειτουργίας

ΠΡΟΣΟΧΗ! Το πέλμα στίλβωσης περιστρέφεται για ένα μικρό χρονικό διάστημα μετά την απενεργοποίηση του εργαλείου.

ΣΗΜΕΙΩΣΗ: Η διαφορά βάρους μεταξύ των εξαρτημάτων στίλβωσης μετά την αντικατάστασή τους μπορεί να αυξήσει τους κραδασμούς. Οι κραδασμοί μπορούν να μειωθούν με την μείωση της ταχύτητας περιστροφής μέσω του επιλογέα.

- Ενεργοποιήστε το εργαλείο πριν το τοποθετήσετε στην επιφάνεια κατεργασίας και περιμένετε μέχρι να αναπτυχθεί η καθορισμένη ταχύτητα.
- Εφαρμόζοντας ελαφρά πίεση, μετακινήστε το εργαλείο εκτελώντας κυκλικές, επικαλυπτόμενες κινήσεις στην επιφάνεια ώστε να επιτευχθεί καλό φινιρίσμα και να εξασφαλιστεί ότι το εργαλείο λειτουργεί με ασφάλεια.
- Σε ευαίσθητες επιφάνειες (π.χ. βαφή αυτοκινήτου) θα πρέπει να επιλέξετε την κατάλληλη χαμηλή ταχύτητα περιστροφής ασκώντας μικρή πίεση.
- Σε περίπτωση που χρησιμοποιείτε πάστα στίλβωσης, χρησιμοποιήστε το κατάλληλο εξάρτημα για την εκάστοτε πάστα.

Τεχνικά Χαρακτηριστικά	
Τάση/Συχνότητα	220-240V - 50Hz
Ισχύς	1200W
Ταχύτητα χωρίς φορτίο	1400 - 4800 rpm
Μέγιστη διάμετρος εξαρτήματος λείανσης	150 mm
Εκκεντρότητα	15 mm

Συντήρηση και καθαρισμός

ΠΡΟΣΟΧΗ! Αποσυνδέετε πάντοτε το εργαλείο από την παροχή προτού πραγματοποιήσετε οποιαδήποτε εργασία καθαρισμού.

Καθαρισμός

- Καθαρίζετε τακτικά το ηλεκτρικό εργαλείο και τις σπές αερισμού - ψύξης. Η συχνότητα καθαρισμού εξαρτάται από το υλικό και τη διάρκεια χρήσης.
- Καθαρίστε το εσωτερικό και τον κινητήρα του περιβλήματος με ξηρό πεπιεσμένο αέρα.

Ψήκτρες (καρβουνάκια)

ΣΗΜΕΙΩΣΗ. Χρησιμοποιήστε μόνο τα γνήσια ανταλλακτικά που παρέχονται από τον κατασκευαστή σε περίπτωση αντικατάστασης των εξαρτημάτων του εργαλείου. Η χρήση οποιουδήποτε τύπου ανταλλακτικών θα οδηγήσει στην ακύρωση της εγγύησης. Κατά την διάρκεια λειτουργίας του εργαλείου, θα πρέπει να παρατηρείται σπινθηρισμός μέσω των σπών αερισμού-ψύξης. Σε περίπτωση που οι ψήκτρες δημιουργούν ασυνήθιστο σπινθηρισμό, απενεργοποιήστε αμέσως το εργαλείο και παραδώστε το προς έλεγχο και επισκευή σε ένα εξουσιοδοτημένο τμήμα Service.



EL *Ο κατασκευαστής διατηρεί το δικαίωμα να πραγματοποιήσει δευτερεύουσες αλλαγές στο σχεδιασμό του προϊόντος και στα τεχνικά χαρακτηριστικά χωρίς προηγούμενη ειδοποίηση, εκτός εάν οι αλλαγές αυτές επηρεάζουν σημαντικά την απόδοση και λειτουργία ασφάλειας των προϊόντων. Τα εξαρτήματα που περιγράφονται / απεικονίζονται στις σελίδες του εγχειριδίου που κρατάτε στα χέρια σας ενδέχεται να αφορούν και σε άλλα μοντέλα της σειράς προϊόντων του κατασκευαστή, με παρόμοια χαρακτηριστικά, και ενδέχεται να μην περιλαμβάνονται στο προϊόν που μόλις αποκτήσατε.

* Για να διασφαλιστεί η ασφάλεια και η αξιοπιστία του προϊόντος καθώς και η ισχύς της εγγύησης όλες οι εργασίες επιδιόρθωσης, ελέγχου, επισκευής ή αντικατάστασης συμπεριλαμβανομένης της συντήρησης και των ειδικών ρυθμίσεων, πρέπει να εκτελούνται μόνο από τεχνικούς του εξουσιοδοτημένου τμήματος Service του κατασκευαστή.

* Χρησιμοποιείτε πάντα το προϊόν με τον παρεχόμενο εξοπλισμό. Η λειτουργία του προϊόντος με μη-προβλεπόμενο εξοπλισμό ενδέχεται να προκαλέσει βλάβη ή ακόμα και σοβαρό τραυματισμό ή θάνατο. Ο κατασκευαστής και ο εισαγωγέας ουδεμία ευθύνη φέρει για τραυματισμούς και βλάβες που προκύπτουν από την χρήση μη προβλεπόμενου εξοπλισμού.

