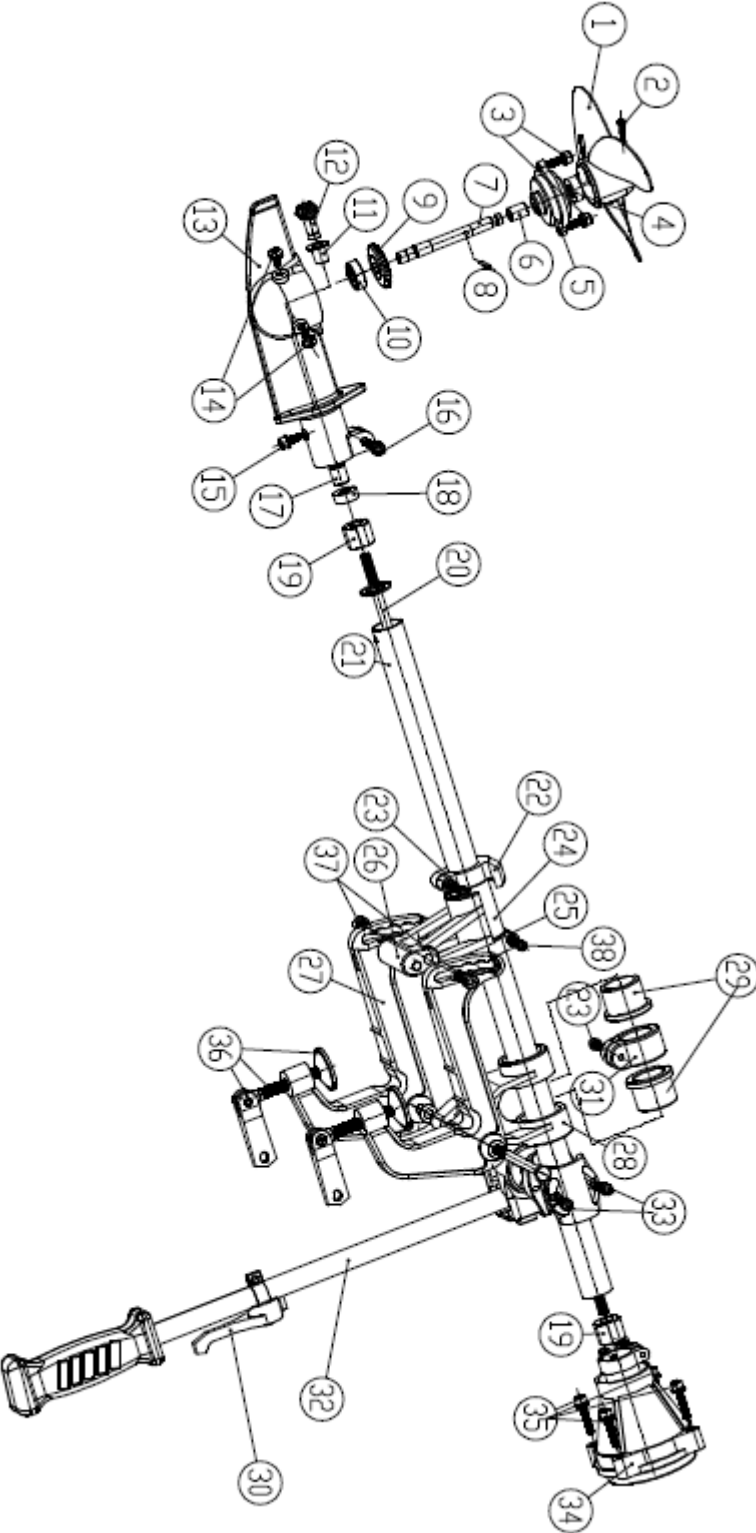
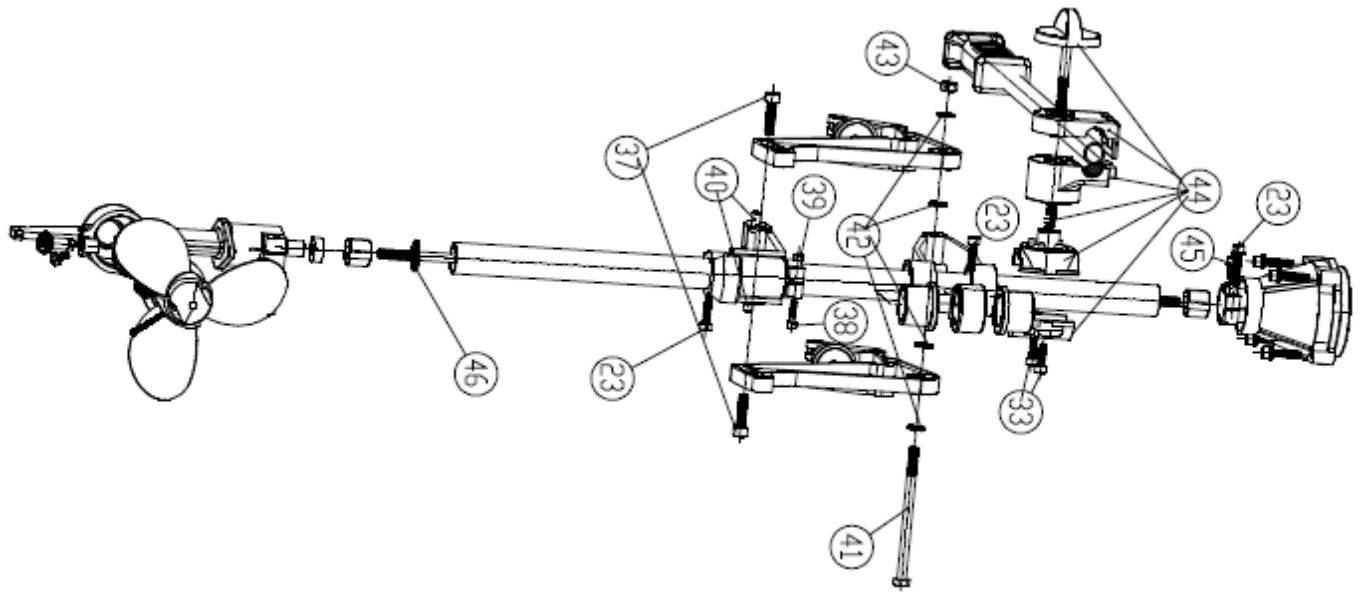


PART A GENERAL INFORMATION





PART NUMBER	PART NAME	PART QTY
1	STAINLESS STEEL CROSSED DISCAL SCREW	1
2	PROPELLER	1
3	STAINLESS STEEL INNER HEXAGON SCREW (WITH STAINLESS FLAT GASKET)	2
4	OIL SEAL	1
5	COVER OF GEAR CASE	1
6	BEARING	1
7	OUTPUT AXIS	1
8	PIN OF OUTPUT AXIS	1
9	BIG GEAR	1
10	BEARING 6000-2RS	1
11	FLANGE BEARING	1
12	SMALL GEAR	1
13	BODY OF GEAR CASE (XP-2)	

14	STAINLESS STEEL INNER HEXAGON SCREW (WITH STAINLESS FLAT GASKET)	2
15	STAINLESS STEEL INNER HEXAGON SCREW	1
16	STAINLESS STEEL INNER HEXAGON SCREW	1
17	BEARING	1
18	OIL SEAL	1
19	OIL BEARING	2
20	TRANSMISSION SHAFT	1
21	MAIN ROD (ALU.)	1
22	VEER LIMIT BLOCK (XP-3)	1
23	INNER HEXAGON SCREW	3
24	SHEATH	1
25	LIMIT RING FOR SHEATH	1
26	SUBFRAME (XP-7)	1
27	CLAMP BRACKET (XP-4)	2
28	MAIN SUPPORT FRAME(XP-5)	1
29	SHEATH	2
30	SWITCH	1
31	STOP LIMIT COLLAR (XP-1)	1
32	HANDLE ASSEMBLY	1
33	INNER HEXAGON SCREW	2
34	CONNECTOR ASSEMBLY	1
35	INNER HEXAGON SCREW	4
36	FIXED SCREW GROUP	2
37	INNER HEXAGON SCREW	2
38	INNER HEXAGON SCREW	1
39	HEXAGONAL NON-SLIP NUTS	1
40	CYLINDRICAL PIN	2
41	OUTER-HEXAGON SCREW	1
42	PLATE GASKET	4
43	NON-SLIP NUTS	1
44	HANDLE FASTENING GROUP	1
45	SCREW GROUP	1
46	RUBBER GASKET	1