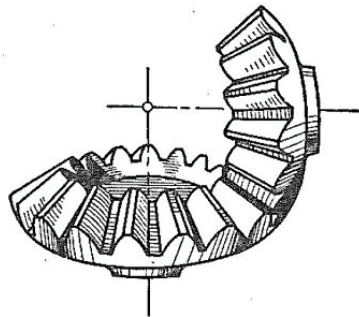


PARTS LIST

HIGH PRESSURE WASHER

BPW5000

Art# 019107

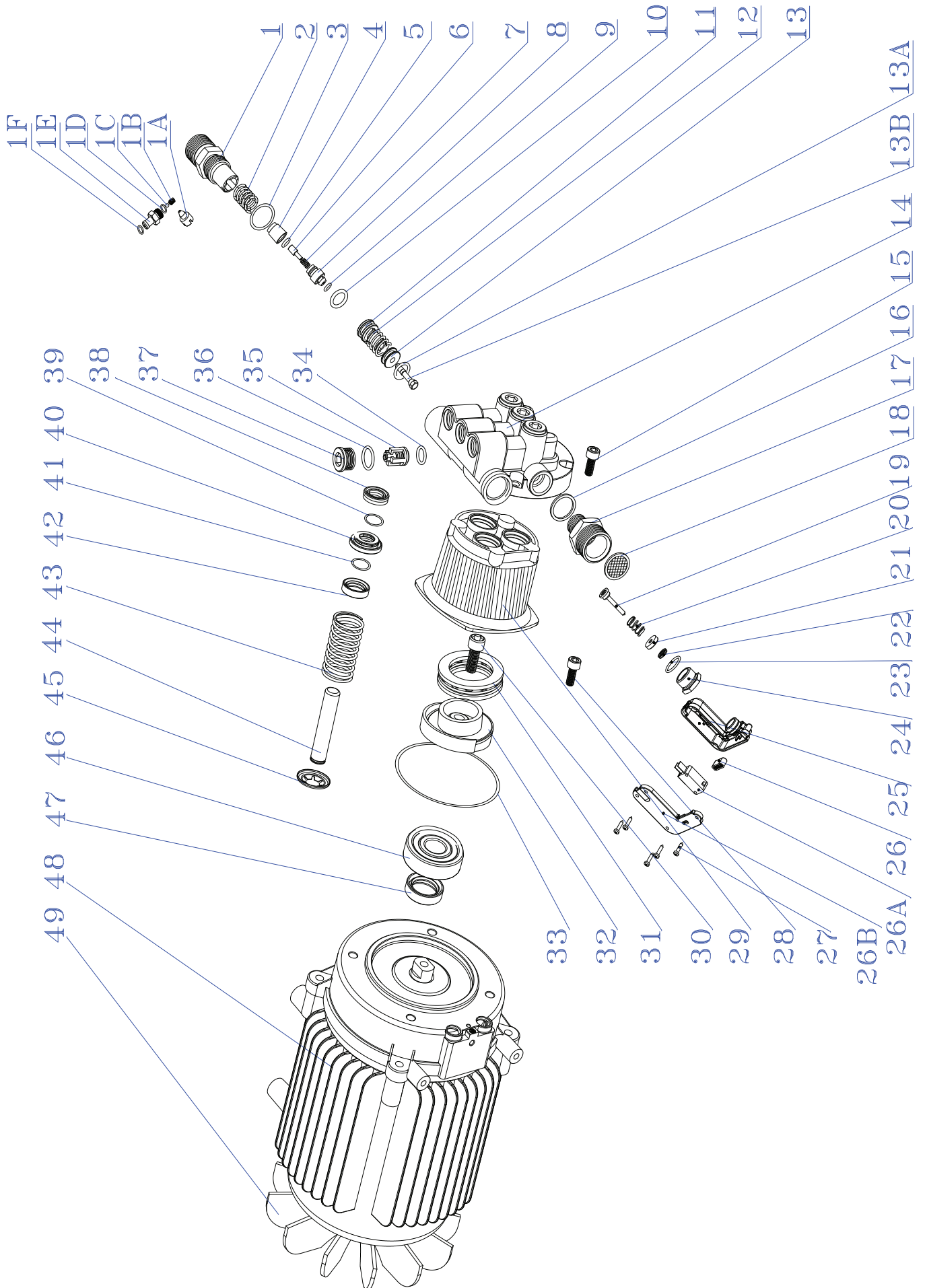


Use only BORMANN genuine parts as specified in the parts list for repair or replacement.
Check if your machine meets the applicable models listed below.
The contents described in the parts list may change due to improvement.



APPLICABLE:

March 2020

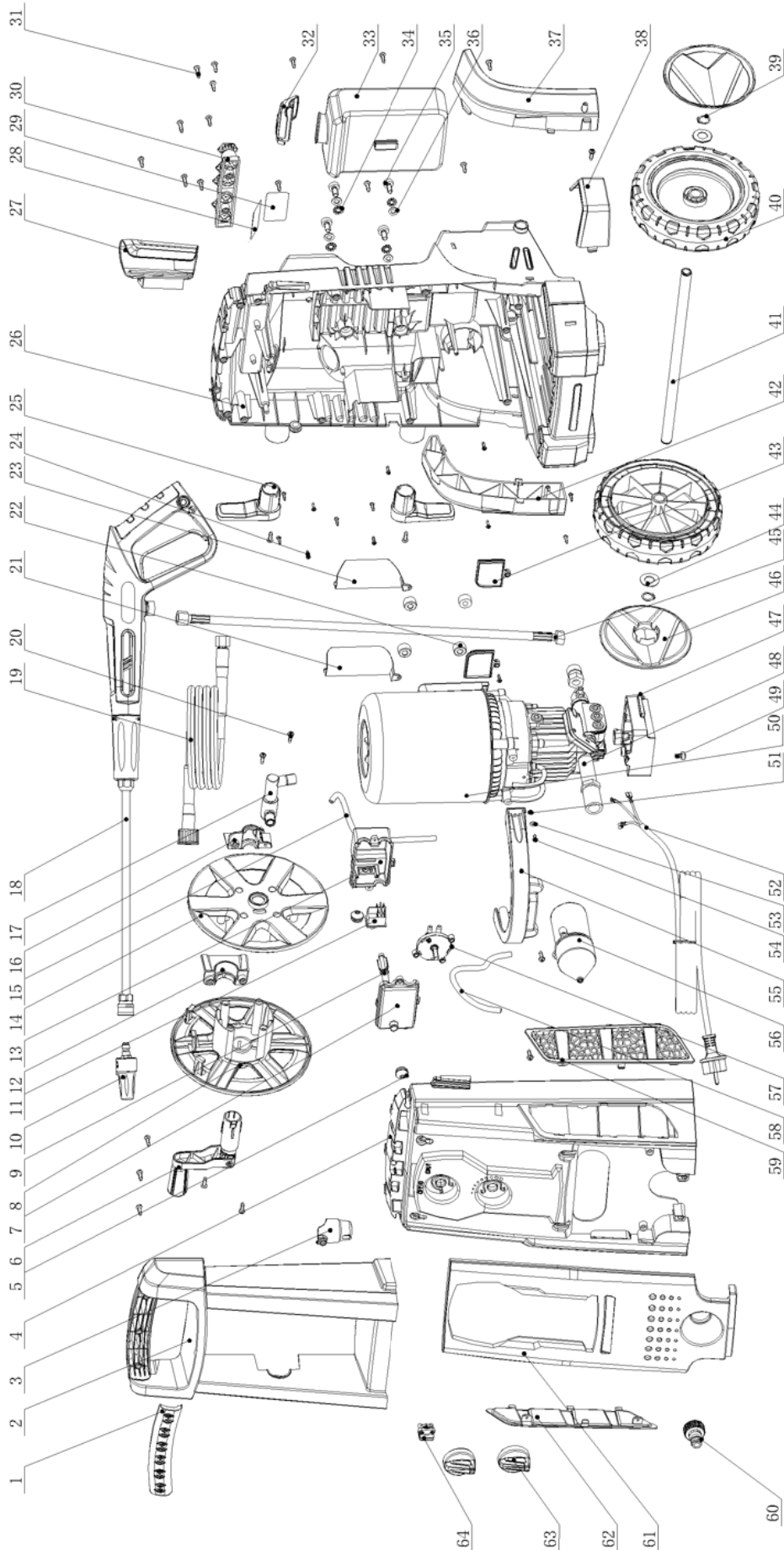


BPW5000 Fig. A



No#	Code	Description (EN)	QTY	Notes
1	0191071001	KIT, WATER OUTLET JOINT	1	
1A	0191071001A	Absorption core	1	
1B	0191071001B	SPRING OF Absorption	1	
1C	0191071001C	STEEL BALL	1	
1D	0191071001D	O-RING, $\Phi 7 \times 1.5 \text{MM}$	1	
1E	0191071001E	junction	1	
1F	0191071001F	O-RING, $\Phi 10 \times 1.5 \text{MM}$	1	
2	0191071002	O-RING, $\Phi 22 \times 2.4 \text{MM}$	1	
3	0191071003	SPRING	1	
4	0191071004	BLOCKING	1	
5	0191071005	O-RING, $\Phi 5 \times 1.8 \text{MM}$	1	
6	0191071006	VALVE CORE	1	
7	0191071007	VALVE CORE SPRING	1	
8	0191071008	JACKET	1	
9	0191071009	O-RING, $\Phi 4.5 \times 1.8 \text{MM}$	1	
10	0191071010	O-RING, $16 \times 2.4 \text{MM}$	1	
11	0191071011	PISTON	1	
12	0191071012	SPRING OF PISTON	1	
13	0191071013	UNLOADING VALVE SEAT	1	
13A	0191071013A	O-RING, $\Phi 15 \times 2.4 \text{MM}$	1	
13B	0191071013B	UNLOADING VALVE STEM	1	
14	0191071014	PUMP HEAD	1	
15	0191071015	SCREW M8X20	4	
16	0191071016	O-RING, $\Phi 18 \times 2.4 \text{MM}$	1	
17	0191071017	WATER INLET CONNECTOR	1	
18	0191071018	FILTER	1	
19	0191071019	PUSH ROD FOR PRESSURE SWITCH	1	
20	0191071020	SPRING OF PUSH ROD	1	
21	0191071021	GASKET FOR CONNECTING NUT	1	
22	0191071022	Y-RING $4 \times 11 \times 5 \text{MM}$	1	
23	0191071023	O-RING, $\Phi 21 \times 1.9 \text{MM}$	1	
24	0191071024	CONNECTING NUT	1	
25	0191071025	COVER OF PRESSURE SWITCH	1	
26	0191071026	SLIDER	1	
26A	0191071026A	MICROSWITCH	1	
26B	0191071026B	COVER OF PRESSURE SWITCH	1	
27	0191071027	SCREW	5	
28	0191071028	SCREW M8X25	1	
29	0191071029	PUMP BODY	1	
30	0191071030	SCREW M8X25	1	
31	0191071031	BEARING , 51207	1	
32	0191071032	BEARING HOUSING , AL ALLOY	1	
33	0191071033	O-RING , $\Phi 90 \times 2.65 \text{MM}$	1	
34	0191071034	O-RING, $\Phi 13 \times 1.9 \text{MM}$	6	
35	0191071035	INLET&OUTLET VALVE	6	

No#	Code	Description (EN)	QTY	Notes
36	0191071036	O-RING , $\Phi 16 \times 1.9 \text{MM}$	6	
37	0191071037	VALVE CAP	6	
38	0191071038	V-RING $\Phi 14 \times 20 \times 5 \text{MM}$	3	
39	0191071039	O-RING $\Phi 18 \times 1.9 \text{MM}$	3	
40	0191071040	INTERSPACE RINGER	3	
41	0191071041	O-RING $\Phi 24 \times 1.9 \text{MM}$	3	
42	0191071042	REINFORCED SEAL $\Phi 14 \times 22 \times 5 \text{MM}$	3	
43	0191071043	SPRING	3	
44	0191071044	PLUNGER $\Phi 14$	3	
45	0191071045	PLUNGER CLIP	3	
46	0191071046	BEARING	1	
47	0191071047	OIL SEAL $20 \times 30 \times 9 \text{MM}$	1	
48	0191071048	INDUCTION MOTOR	1	
49	0191071049	FAN	1	
201	0191071201	By-pass assy 10-13B	1	
202	0191071202	Auto-stop switch assy	1	
203	0191071203	Valve assy	6	
204	0191071204	O-ring assy	1	



BPW5000 Fig. B



No#	Code	Description (EN)	QTY	Notes
1	0191072001	Handle Cap	1	
2	0191072002	Handle	1	
3	0191072003	Turbo Nozzle Holder	1	
4	0191072004	Upper cover	1	
5	0191072005	Cable Seal	4	
6	0191072006	Hose Reel	1	
7	0191072007	Switch Box Cover	1	
8	0191072008	Left Hose Reel	1	
9	0191072009	Nager	1	
10	0191072010	Turbo Nozzle	1	
11	0191072011	Switch	1	
12	0191072012	Left Press Plate for Hose	1	
13	0191072013	Switch Box	1	
14	0191072014	Right Hose Reel	1	
15	0191072015	Soap Tube	1	
16	0191072016	Right Press Plate for Hose	1	
17	0191072017	Three Joint Set	1	
18	0191072018	Spray Gun	1	
19	0191072019	Pressure Hose	1	
20	0191072020	SCREW ST4.8X16	28	
21	0191072021	Dash Plate of Left	1	
22	0191072022	Vibration Damping of	4	
23	0191072023	Dash Plate of Right	1	
24	0191072024	SCREW ST3.5X13F	16	
25	0191072025	Cable Hook	2	
26	0191072026	Bottom Housing	1	
27	0191072027	Gun Holder	1	
28	0191072028	Date Label	1	
29	0191072029	Warning Label	1	
30	0191072030	Nozzle Holder Set	1	
31	0191072031	SCREW ST4.8X25	3	
32	0191072032	Soap tank cap	1	
33	0191072033	Built in Soap Tank	1	
34	0191072034	Sawtooth Gasket $\Phi 8$	4	
35	0191072035	Screw M8*16	4	

No#	Code	Description (EN)	QTY	Notes
36	0191072036	Spring Gasket	4	
37	0191072037	Right Wheel Plate	1	
38	0191072038	Gun Holder	1	
39	0191072039	Elastic Collar	2	
40	0191072040	Wheel	2	
41	0191072041	Wheel Axle	2	
42	0191072042	Left Wheel Pate	1	
43	0191072043	Dash Plate	1	
44	0191072044	Flap Gasket $\square 16$	2	
45	0191072045	Inside hose	1	
46	0191072046	Wheel cover	2	
47	0191072047	Pump Fixxing Seat	1	
48	0191072048	Motor and Pump Ass.	1	
49	0191072049	Screw M6*10	1	
50	0191072050	Wind Scooper	1	
51	0191072051	Sawtooth Gasket $\Phi 4$	1	
52	0191072052	Cable	1	
53	0191072053	Spring Gasket $\Phi 4$	1	
54	0191072054	Screw M4*8	1	
55	0191072055	Press Plate of Motor	1	
56	0191072056	Capacitor	1	
57	0191072057	Switch For Soap	1	
58	0191072058	Outside Soap Tube	1	
59	0191072059	Right Decoration Plate	1	
60	0191072060	Male connector	1	
61	0191072061	Decoration Plate	1	
62	0191072062	Left Decoration	1	
63	0191072063	Switch	2	
64	0191072064	Cable sheath	1	