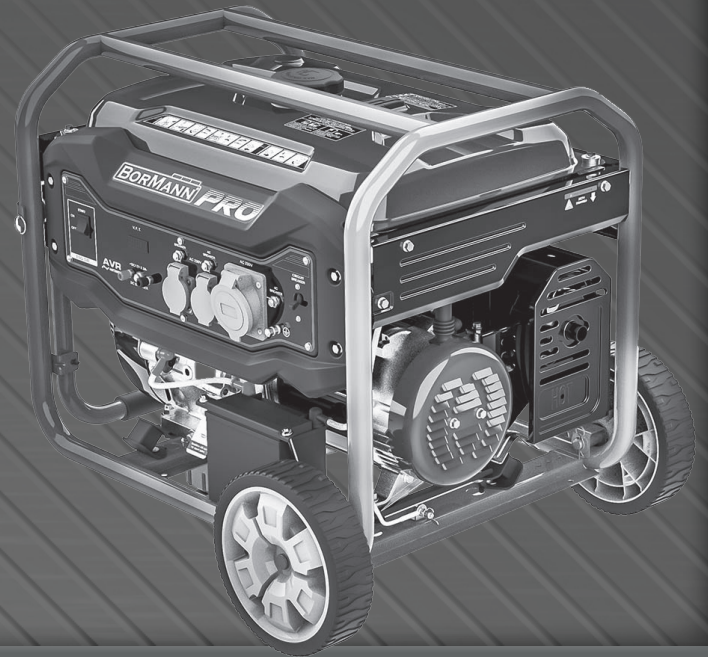


BORMANN[®] PRO

Built to last.

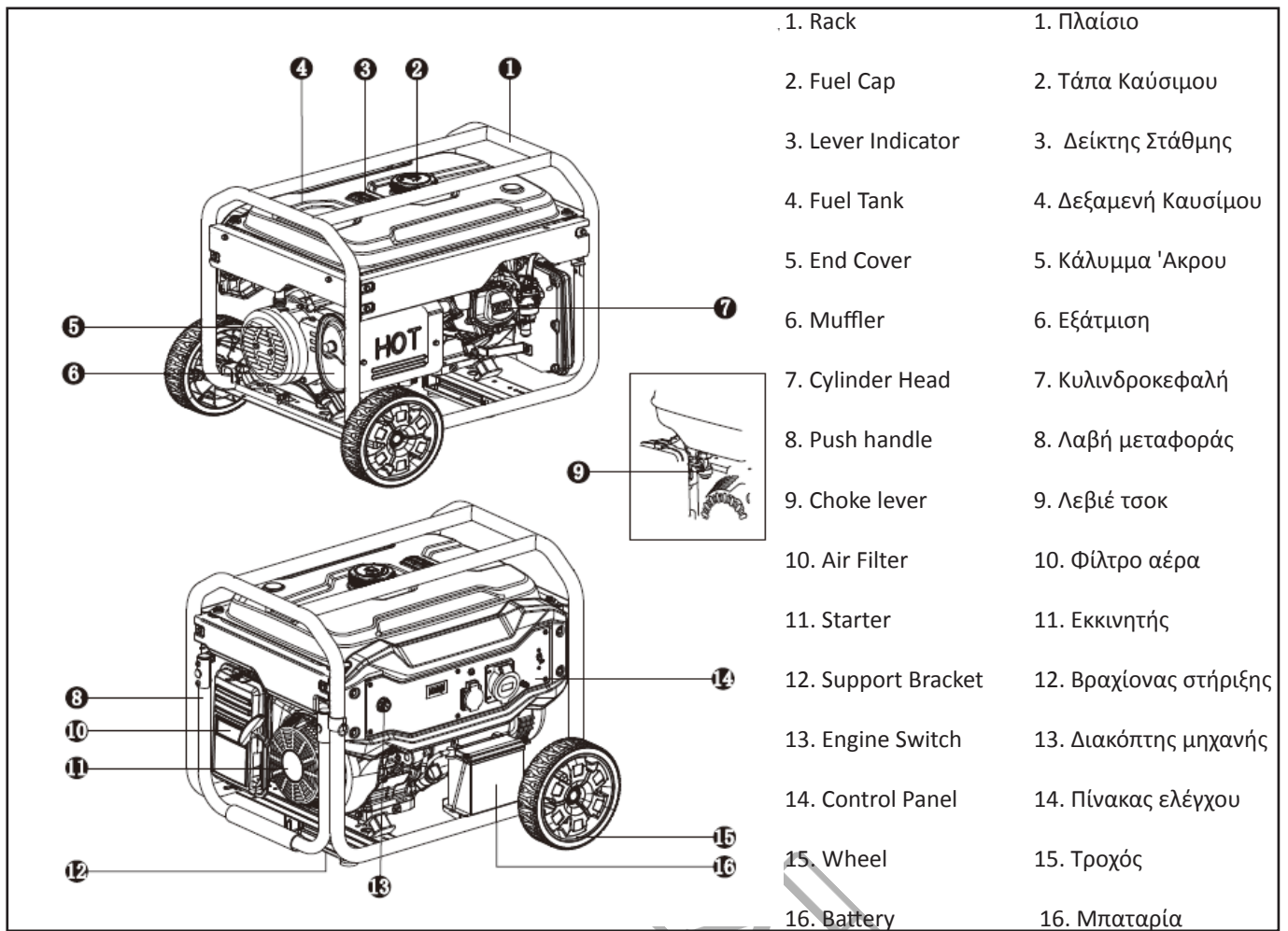


BGB3000 **BGB3700** **BGB6000** **BGB8000** **BGB8500**
034414 **034421** **034438** **034445** **034452**

EN

EL

v2.1



- | | |
|---------------------|------------------------|
| 1. Rack | 1. Πλαίσιο |
| 2. Fuel Cap | 2. Τάπα Καυσίμου |
| 3. Lever Indicator | 3. Δείκτης Στάθμης |
| 4. Fuel Tank | 4. Δεξαμενή Καυσίμου |
| 5. End Cover | 5. Κάλυμμα 'Ακρου |
| 6. Muffler | 6. Εξάτμιση |
| 7. Cylinder Head | 7. Κυλινδροκεφαλή |
| 8. Push handle | 8. Λαβή μεταφοράς |
| 9. Choke lever | 9. Λεβιέ τσοκ |
| 10. Air Filter | 10. Φίλτρο αέρα |
| 11. Starter | 11. Εκκινητής |
| 12. Support Bracket | 12. Βραχίονας στήριξης |
| 13. Engine Switch | 13. Διακόπτης μηχανής |
| 14. Control Panel | 14. Πίνακας ελέγχου |
| 15. Wheel | 15. Τροχός |
| 16. Battery | 16. Μπαταρία |

TECHNICAL DATA /ΤΕΧΝΙΚΑ ΧΑΡΑΚΤΗΡΙΣΤΙΚΑ					
Model / Μοντέλο	BGB3000	BGB3700	BGB6000	BGB8000	BGB8500
Rated Output (kW) / Ονομαστική Ισχύς (kW)	2,5	3,0	5,0	6,5	8,0
Maximum Output (kW) / Μέγιστη Ισχύς Εξόδου (kW)	2,5	3,3	5,5	7,0	8,5
Displacement / Όγκος Εμβολισμού Κυλίνδρου (cc)	208	224	420	420	439
Max Fuel Tank Size (L) / Μέγιστη Χωρητικότητα Δεξαμενής Καυσίμου (Λίτρα)	15,8	15,8	27	27	27
Noise/ Θόρυβος dB (A)	75	75	75	77	77
Starter Coil/Μίζα / Battery/ Μπαταρία	N	Y	Y	Y	Y
AVR	Y	Y	Y	Y	Y
Engine Type / Τύπος Μηχανής	Air Cooled, 4 Stroke OHV - Αερόψυκτη, Τετράχρονη OHV	Air Cooled, 4 Stroke OHV - Αερόψυκτη, Τετράχρονη OHV	Air Cooled, 4 Stroke OHV - Αερόψυκτη, Τετράχρονη OHV	Air Cooled, 4 Stroke OHV - Αερόψυκτη, Τετράχρονη OHV	Air Cooled, 4 Stroke OHV - Αερόψυκτη, Τετράχρονη OHV
Weight /Βάρος (kg)	48	52	78	86	93

Safety Instructions

Pay attention to all safety alert symbols on the generator. Read and obey all safety messages that follow in this instructions manual in order to avoid possible property damage, INJURY or even DEATH. Each safety message is preceded by one of the three following words: DANGER, WARNING, or CAUTION depending on the risk severity of the relevant situation.

1. Operator Safety

DANGER Indicates a hazardous situation which, if not strictly complied with, will result in substantial property damage, serious injury or DEATH.

WARNING Indicates a hazardous situation which, if not strictly complied with, may result in property damage, serious injury or DEATH.

CAUTION Indicates a hazardous situation which, if not strictly complied with, could result in property damage or Injury.

READ THIS MANUAL COMPLETELY BEFORE OPERATING.

DO NOT operate this generator until you have read ALL safety, operation, and maintenance instructions listed in this manual. Failure to follow the instructions may result in property damage, INJURY or DEATH. Warnings and precautions discussed in this manual cannot cover all possible conditions and situations that may occur. It must be understood by the operator that common sense and caution are factors which cannot be built into this product, but must be supplied by the operator.

This generator is intended for residential consumers only. Air cooled generators cannot be run full time.

Before each use, check for loose or damaged parts, signs of oil or fuel leaks, and any other condition that may affect proper operation. Repair or replace all damaged or defective parts immediately. Locate all operating controls and safety labels. Operate only on level surfaces.

DO NOT expose the generator to excessive moisture, dust, or dirt. Keep all safety guards in place and in proper working order at all times. DO NOT allow any material to block the cooling slots.

DO NOT allow children or untrained persons to operate the generator.

DO NOT run the generator unattended. Turn off the generator before leaving the area.

FIRE

Operation of this generator may create sparks that can start fires around dry vegetation. This generator may not be equipped with a spark arresting muffler. If the generator is used around flammable materials, or on land covered with materials such as agricultural crops, forest, brush grass, or other similar items, then an approved spark arrester must be installed. In some area, a spark arrester is required by law. Please contact local fire agencies for laws or regulations relating to fire prevention requirements.

Read the instructions provided with the equipment that powered by this engine for any additional safety rules that should be observed in conjunction with generator startup, shutdown, operation, or protective apparel that may needed to operate the equipment.

HOT SURFACE

Running engine generators produce heat. Severe burns can occur on contact. DO NOT touch generator while operating or just after stopping. Avoid contact with hot exhaust gases. Maintain at least three feet of clearance on all sides to ensure adequate cooling. Combustible material can catch fire on contact. Maintain at least five feet of clearance from combustible materials.



TOXIC FUMES

The exhaust of the engine contains carbon monoxide, an odorless, colorless, poison gas. Using engine indoors CAN KILL YOU! NEVER use inside any building or any kind of enclosure, EVEN IF doors and windows are open. Place the engine in a well-ventilated area and carefully consider wind and air currents when positioning the engine.

FIRE OR EXPLOSION

Gasoline is highly flammable and extremely explosive. Fire or explosion can cause severe burns or death. Keep flammable items away while handling the generator. Fill fuel tank outdoors and in a well-ventilated area with the generator stopped. Always wipe off spilled fuel and wait until the fuel has dried before starting the generator.

DO NOT operate the generator with known leaks in the fuel system.

Use proper fuel storage and handling procedures. DO NOT store fuel or other flammable materials nearby.

Empty the fuel tank before storing or transporting this generator.

Keep fire extinguisher handy and be prepared if a fire starts.

MOVING PARTS

Moving parts can cause severe injury. Keep hands and feet away.

DO NOT operate engine with covers, shrouds, or guards removed.

DO NOT wear loose-fitting clothing, dangling drawstrings or items that could become caught. Tie up long hair and remove jewelry.

NEVER place fingers, hands, or body near the engine when it is running.

ACID

(For types equipped with battery)

Be careful when using any battery.

Keep away from open flame, heat or spark. Battery will exhaust hydrogen while charging. Only charge a battery in a well ventilated place.

Avoid spilled battery acid.

If contact with skin is made, was immediately with clean water.

KICKBACK

Rapid retraction of the starter cord will pull hand and arm towards the engine faster than you can let go.

Unintentional startup can result in entanglement, traumatic amputation or laceration. Broken bones, fractures, bruises or sprains.

ELECTRICAL SHOCK

This generator produces powerful voltage and the electricity CAN KILL YOU.

This generator must be properly connected to an appropriate grounding to help prevent electric shock. Failure to properly ground generator can result in electrocution, especially if the generator is equipped with a wheel kit. Consult an electrician for local grounding requirements.

Installation should be performed by a certified electrician. Improper installation can result in electrical shock and death.

To reduce the risk of electrical shock, DO NOT use electrical cords that are worn, frayed, bare or otherwise damaged.

DO NOT touch bare wires or receptacles.

DO NOT operate generator in wet weather. Keep the generator dry.

DO NOT handle generator or electrical cords while standing in water, while barefoot, or while hands or feet are wet.

DO NOT hook up any generator to a building electrical system without the proper use and installation of a transfer switch installed by a qualified electrician. When using generator for backup power, notify utility company. Use approved transfer generator to isolate generator from electric utility. Failure to isolate generator from power utility can result in death or injury to electric utility workers due to backfeed of electrical energy.

II. Getting Started

1. Unpacking

Remove the Generator from the Shipping Carton

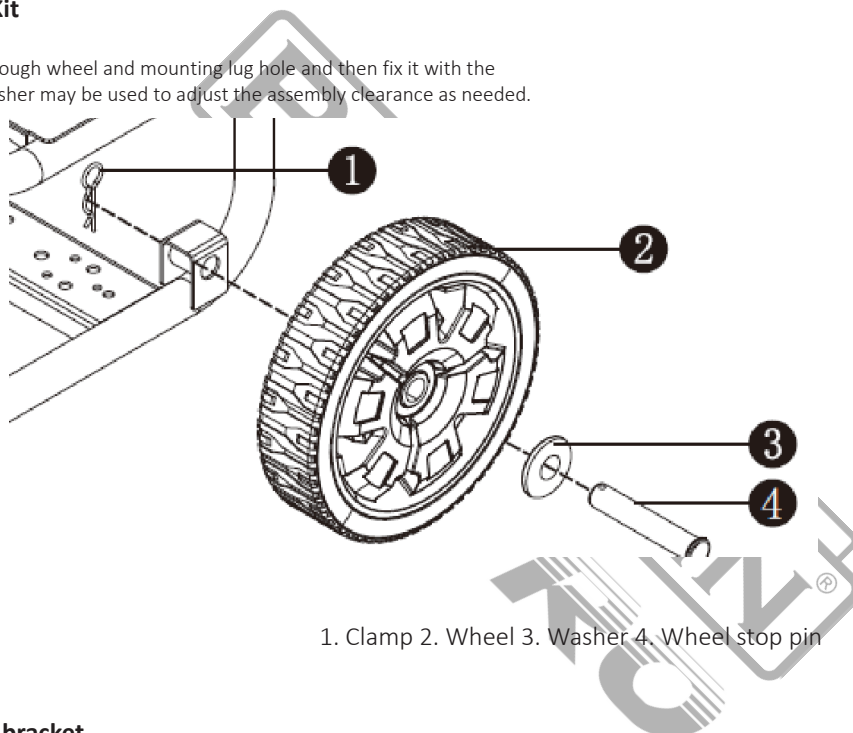
1. Place the shipping carton on a solid, flat surface.
2. Carefully cut each corner of the carton box from top to bottom. Fold each side flat on the ground.
3. Remove everything from the carton except the generator.

2. Assembly

Your generator may require some assembly. If you have any questions regarding the assembly of your generator, please have your model number and serial number ready and consult your local dealer for help.

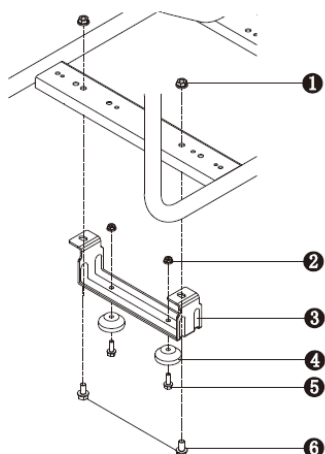
A. Install Wheel Kit

Put wheel stop pin through wheel and mounting lug hole and then fix it with the clamp. Note: A flat washer may be used to adjust the assembly clearance as needed.



B. Install support bracket

The sealed battery on the generator is fully charged and pre-installed except for the negative (black) battery cable.



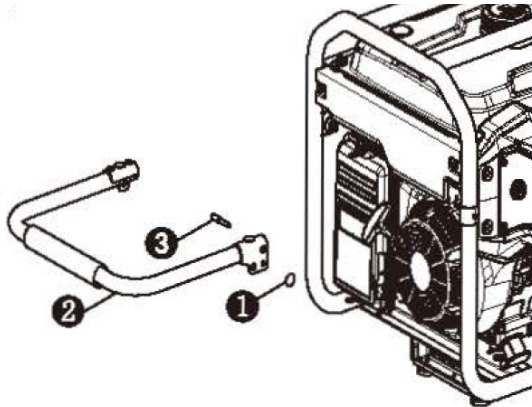
1. Support bracket nut M8
2. Damping seat nut M6
3. Support bracket
4. Damping seat
5. Damping seat nut M6/18
6. Support bracket bolt M8/16

C. Install the handle

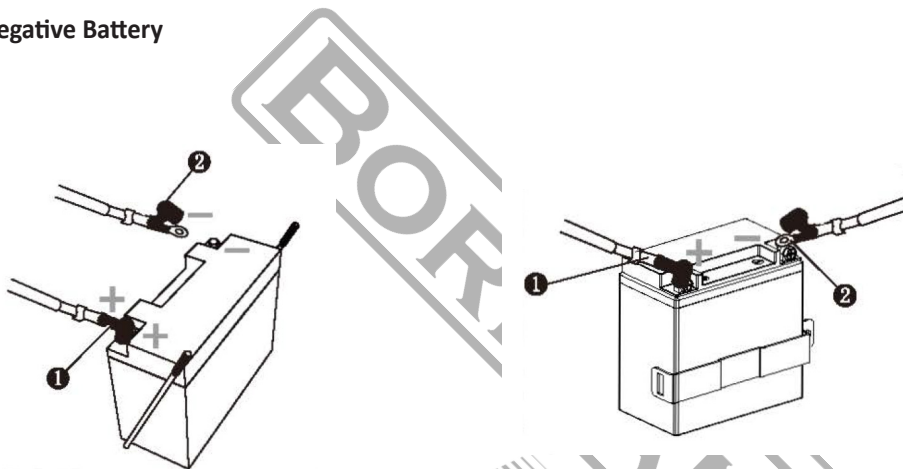
Use the handle pin to across and its mounting lug hole and then fix it with the clamp.

The sealed battery on the generator is fully charged and pre-installed except for the negative (black) battery cable. install: Cut off tie wrap that secures the loose end of negative (black) cable. Connect the negative (black) battery cable to the negative (-)terminal on the battery. Verify if it is correct and secure that the connections between the battery and generator .

- 1. Chain
- 2. Push handle
- 3. Pin



D. Connect Negative Battery



- 1.Positive (+) terminal (red)
- 2.Negative (-) terminal (black)

III. Operation
1. Operating Check List

A. Operating Location

Only use OUTSIDE and place the generator in a well-ventilated area. Only operate the generator on a flat, level surface and in a clean, dry operating environment. Allow two feet clearance on all side of the generator while operating it outdoors. Please consult your local authority. In some areas, generators must be registered with the local utility. Generators used to construction sites may be subject to additional rules and regulations.

DANGER! TOXIC FUMES

The exhaust of the generator contains carbon monoxide, an odorless, colorless, poison gas. Using engine indoors CAN KILL YOU! NEVER use inside any building or any kind of enclosure, EVEN IF doors and windows are open.Place the generator in a well-ventilated area and carefully consider wind and air currents when positioning the generator.

High altitude

This engine may require a high altitude carburetor kit to ensure correct operation at high altitudes. Consult your local dealer for high altitude kit information if you always operate your engine at altitudes above 5,000 feet (1,500 meters).

CAUTION! Even with carburetor modification, generator horsepower will decrease about 3.5% for each 1,000 feet (300 meters) increase in altitude. The effect of altitude on horsepower will be greater than this if no carburetor modification is made.

CAUTION! Operation the engine at altitude below 5,000 feet (1,500 meters) with modified carburetor may cause the generator to overheat and result in serious engine damage.

2. Operating Condition

Check for loose or damaged arts, signs of oil or fuel leaks,and any other condition that may affect proper operation.Repair or replace all damaged or defective parts immediately.

WARNING

Failing to correct problem(s) before operation could result in property damage, serious injury or even death.

Remove any excessive dirt or debris, especially around the muffler and recoil starter. DO NOT move or tip the generator during operation. Use generator only for the intended use. If you have questions about intended use, ask your local dealer.

C. Engine Oil

Place the engine on a level surface with engine stopped. Remove the dipstick and wipe it clean. Reinstall dipstick into tube; rest on oil fill neck, DO NOT thread cap into tube.

Remove the dipstick again and check oil level. Level should be within the upper limit and lower limit range on dipstick.

Fill to the upper limit (marked with "H") of the dipstick with the recommended oil if the oil level is low.

Reinstall and fully tighten the dipstick.

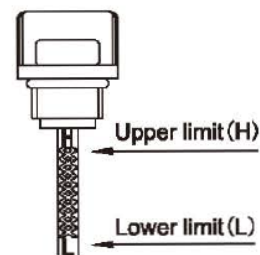
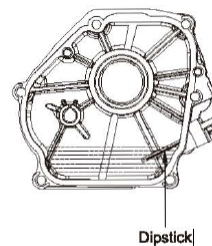
Refer to add oil instruction in MAINTENANCE section for more information.

Oil Capacity (rated):
See parameters.

WARNING: Oil is a major factor affecting performance and service life. Use 4-stroke automotive detergent oil recommended in the MAINTENANCE section of this manual.

WARNING: This engine is not filled with oil at the factory. Any attempt to crank or start the engine before it has been properly filled with the recommended type and amount of oil may result in engine damage and void your warranty.

CAUTION: Operate generator only on level surfaces. The engine is equipped with a low oil sensor (applicable types) that will automatic stop the engine when the oil level falls below the safe limit. To avoid the inconvenience of an unexpected shutdown, fill to the upper limit and check the oil level regularly.

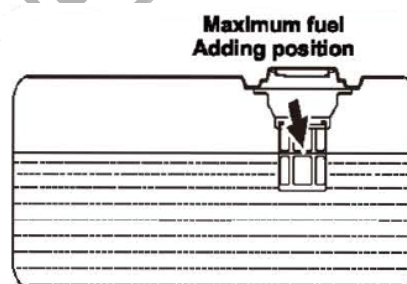
**D. Engine Fuel**

With the engine stopped, check the fuel level gauge. Refill the fuel tank if necessary. Use clean, fresh, regular unleaded gasoline. DO NOT mix oil with gasoline. Always wipe up any spilled fuel. Be sure not to fill above the upper limit mark. Always allow room for fuel expansion.

DANGER Do not fill the fuel tank above the upper limit. Overfill will result in engine die or damage the carbon canister (if equipped) and void your warranty.

DANGER OF FIRE OR EXPLOSION

Gasoline is highly flammable and extremely explosive. Keep flammable items away while handling gasoline. Fill fuel tank outdoors and in a well-ventilated area with the generator stopped. Always wipe off spilled fuel and wait until the fuel has dried before starting the generator.



DO NOT operate the generator with known leaks in the fuel system. Use proper fuel storage and handling procedures. DO NOT store fuel or other flammable materials nearby. Empty the fuel tank before storing or transporting this generator. Keep fire extinguisher handy and be prepared if a fire starts. NEVER use engine or carburetor cleaner products in the fuel tank or permanent damage may occur. It is important to prevent gum deposits from forming in essential fuel system parts, such as the carburetor, fuel filter, fuel hose or tank during storage. Also, experience indicates that alcohol-blended fuels (called gasohol, ethanol or methanol) can attract moisture, which leads to separation and formation of acids during storage. Acidic fuel can damage the fuel system of the generating set while in storage. Be sure to review the instructions given in "Storage" section. Gasoline/Alcohol Blends: up to 10% alcohol, 90% unleaded gasoline by volume is approved as a fuel. Other gasoline/alcohol blends are not approved. Effects of old, stale or contaminated fuel are not warrantable.

CAUTION: To minimize gum deposits in your fuel system and to insure easy starting, do not use gasoline left over from the previous season.

CAUTION: Pressure can build up in the fuel tank. Allow the generator to cool for at least two minutes before removing fuel cap. Loosen the fuel cap slowly to relieve any pressure in the tank.

E. Electrical devices

Disconnect all electrical devices from the generator and switch off the AC circuit breaker before start the engine. The generator may be hard to start with electrical devices.

F. Grounding

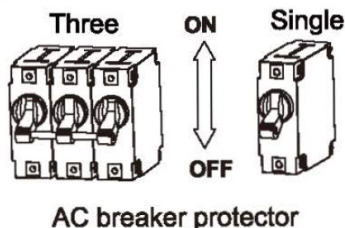
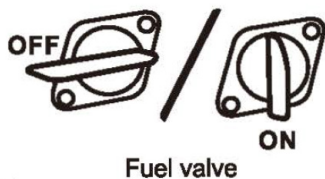
The generator must be properly connected to an appropriate ground. It helps prevent electrical shock if a ground fault condition exists in the generator or in connected electrical devices, especially when the unit is equipped with a wheel kit. Proper grounding also helps dissipate static electricity, which often builds up in ungrounded devices.

DANGER of Electrical Shock Failure to properly ground the generator can result in electric shock.

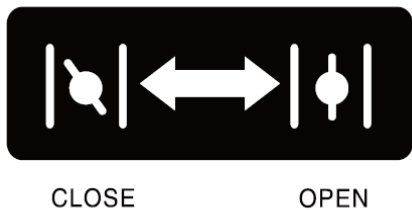
A ground terminal on the frame of the generator has been provided on the generator end. For remote grounding, connect a length of heavy gauge (4 mm²) copper wire between the generator ground terminal and a copper rod driven into the ground. The National Electrical Code requires that the frame and external electrically conductive parts of this generator be properly connected to an approved earth ground. Local electrical codes may also require proper grounding of the unit. We strongly recommend that you consult with a qualified electrician for grounding requirements in your area.

2. Starting the engine

1. Perform operating checklist.
2. Turn fuel valve to the "ON" position.
3. Turn off AC breaker protector.



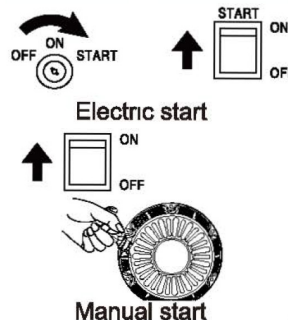
4. Pull the choke valve switch to "CLOSE" position.



CAUTION: Choke plate should be setting in different width due to temperature and other factors.

5. Electric start:

Turn and keep the key to "START" position till the engine is started. After the engine is started, release the key to return to "RUN" position. Manual start: Turn the switch to "RUN" position. The switch button according to the open position, and then seize the starter handle and slow pulling until there is a sense of resistance so far, and quickly pull to start.

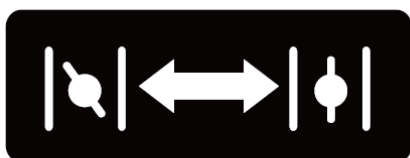


WARNING: Rapid retraction of the starter cord will pull hand and arm towards the engine faster than you can let go. Unintentional startup can result in entanglement, traumatic amputation or laceration, broken bones, fractures, bruises or sprains.

If the electric starter fails to start the engine, immediately turn off the starter. Don't attempt to restart the engine before the failure cause is identified. Don't restart the engine by replacement of other storage battery without authorization.

CAUTION: If the engine fails to start after attempt for 3 times or flames out after starting, inspect and ensure that the generator is placed in horizontal surface and enough engine oil is injected. During starting, don't keep the starting switch to "start" position for more than 5 sec, otherwise it is possible to damage the motor. If the unit fails to start within first time, restart after about 1 sec. After the unit is used for a period, if the starting speed of the motor falls, please replace the battery. During the operation of the unit, the battery supplies power for the solenoid valve of the carburetor. For this, when the unit is turned off, make sure that the starting switch is in "OFF" position and otherwise the storage battery voltage is reduced due to the operating solenoid valve of the carburetor, acting on starting for next time. If the engine is equipped with an engine oil alarm, it is possible to prevent engine start when the engine oil in the crankcase is lower than the minimum level. During running-in, routinely inspect the engine oil. See maintenance section for recommended maint. period.

6. When the engine operates stably, pull the choke valve to "OPEN" position.

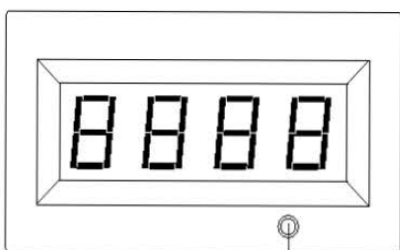


CLOSE OPEN

7. The generator may be normally loaded.

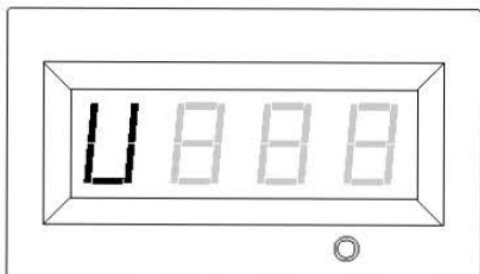
WARNING: Connect the output terminal of the generator with the electric equipment. Don't start or stop the engine when the electric equipment is in "ON" status.

VFT meter (If applicable): The VFT meter can be used for displaying voltage, frequency (hertz), run time, and total run time as applicable (Display mode depends on the configuration). The LCD displays each mode by pressing the button below the display. The display meter sets as either automatic switching mode or manual operation mode. In the manual state, press MODE BUTTON for mode switching; But in automatic mode, MODE BUTTON is used for reset (operate cautiously when necessary).



Mode Button

a. Output voltage of the generator.



b. Frequency (F):
The generator may be normally loaded.



c. Run time (R):
Run time of the generator for the current session.

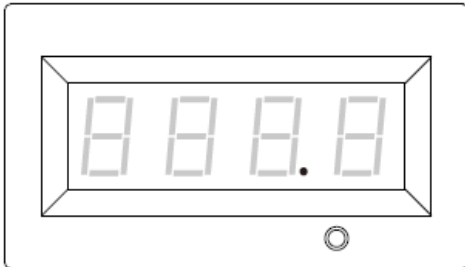


Note: If display value is less than 100, the numeric display will accurate to one decimal place. If the operation time is 100 hour or greater, the display will be "101", "100" and so on.

d. Total run time

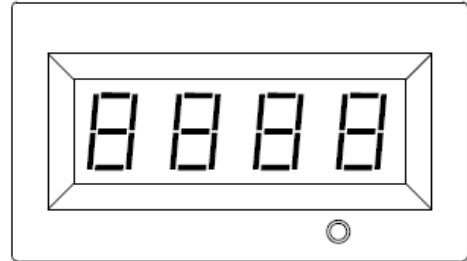
Total run time of the generator since first operation (display mode depends on the configuration)

1) The display value is accurate to one decimal place ;



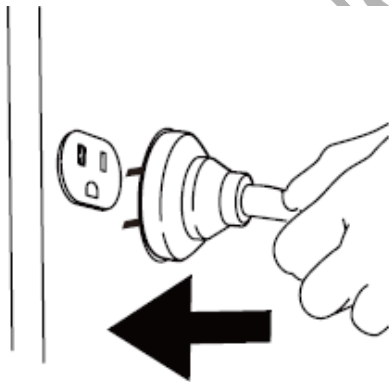
or

2) The display value shows as a integer.



3. Connection to Electrical Devices

Inspect power cord for damage before use. There is a hazard of electrical shock from from crushing, cutting or heat damage.



DANGER

In order to reduce the risk of electrical shock:

DO NOT use electrical cords that are worn, frayed, bare or otherwise damaged.

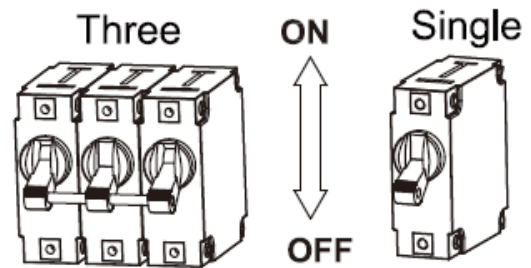
DO NOT touch bare wires or receptacles.

DO NOT handle generator or electrical cords while standing in water, or bare foot, or while hands or feet are wet.

1. Allow the engine to stabilize and warm up for a few minutes after starting.
2. Make sure the electrical devices in "OFF" position. and the load current is not higher than the maximum withstanding current of single socket.

CAUTION: If the current of single load is higher than the maximum withstanding current of single socket, please connect the load with the terminal.

3. Turn the AC breaker protector to "ON" position.



AC breaker protector

CAUTION

If connected devices overheat, turn them off and disconnect them from generator.

Bearing capacity

You must make sure your generator can supply enough rated (running) and surge (starting) watts for the electrical devices you will power at the same time. Follow these simple steps to calculate the running and starting watts necessary for our purposes.

1. Select the electrical devices you will power at the same time.
2. The amount of power you need to run all the devices is the total rated (running) watts of these items.
3. Identify how many surge (starting) watts you will need. Surge wattage is the short burst of power needed to start electric motor-driven tools or appliances such as a circular saw or refrigerator.

Because not all motors start at the same time, total surge watts can be estimated by adding only the electrical device(s) with the highest additional surge.

Wattage Reference Chart		
Electric Equipment		Rate Power (Watts)
Appliances	Tablet Computer 27"	120
	Energy Saving Lamp	5-50
	Electric Cooker	1000
	Computer	400
	Refrigerator	50
	Washing Machine	250
	Electric Fan	50
	Air-Conditioner 2 HP	1600
Electric Tooling	Electric Welding Machine	1600
	Electric Hammer	1000
	Water Pump	800

DANGER - Life Threatening Situation

You must isolate the generator from the electric utility by opening the electrical system's main circuit breaker or main switch if the generator is used for backup power. Failure to isolate the generator from the power utility may result in injury or death to electric utility workers and damage to the generator due to backfeed of electrical energy.

WARNING: DO NOT OVERLOAD THE GENERATOR Exceeding the generator's capacity may damage the generator and/or any devices connected to it.

4. Charging a Battery (Applicable types)

Charge the battery by battery charging socket, and keep the full charge of the battery for use at any time. Charge the battery in dry environment.

WARNING: Batteries give off explosive hydrogen gas while recharging. An explosive mixture will remain around the battery for a long time after it has been charged. The slightest spark can ignite the hydrogen and cause an explosion, resulting in blindness or other serious injury.

WARNING: DO NOT allow smoking, open flame, sparks or any other source of heat around a battery. Wear protective goggles, rubber apron and rubber gloves when working around a battery. Battery electrolyte fluid is an extremely caustic sulfuric acid solution that can cause severe burns. If spill occurs flush area with clear water immediately.

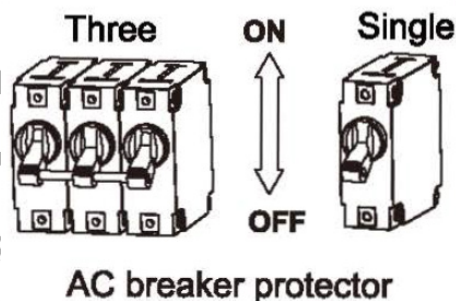
In order to recharge Volt batteries, proceed as follows:

- Check fluid level in all battery cells. If necessary, add ONLY distilled water to cover separators in battery cells. **DO NOT use tap water at no circumstances.**
- If the battery is equipped with vent caps, make sure they are installed and are tight.
- If necessary, clean battery terminals.
- Connect battery charge cable clamp with red handle to the positive (+) battery terminal.
- Connect battery charge cable clamp with black handle to the negative (-) battery terminal.
- Start engine. Let the engine run while battery recharges.
- When battery has charged, shut down engine.

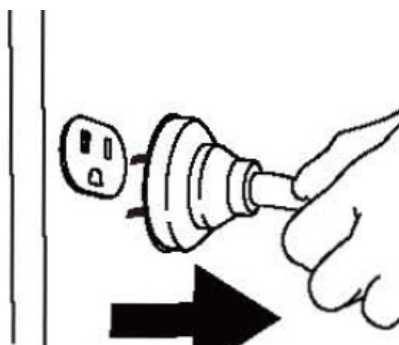
CAUTION: Use an automotive hydrometer to test battery state of charge and condition. Follow the hydrometer manufacturer's instructions carefully. Generally a battery is considered to be at 100% state of charge when the specific gravity of its fluid (as measured by hydrometer) is 1.260 or higher.

5. Stopping the Engine

1. Remove all the load on generator.
2. Turn off AC breaker protector.

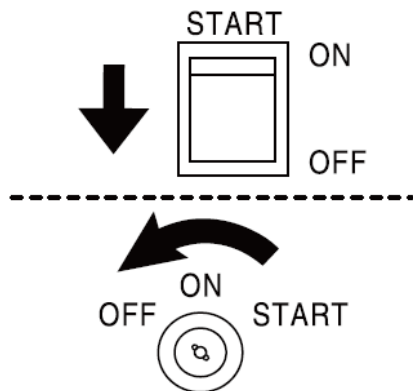


Remove the plug of all electric equipment from the generator panel

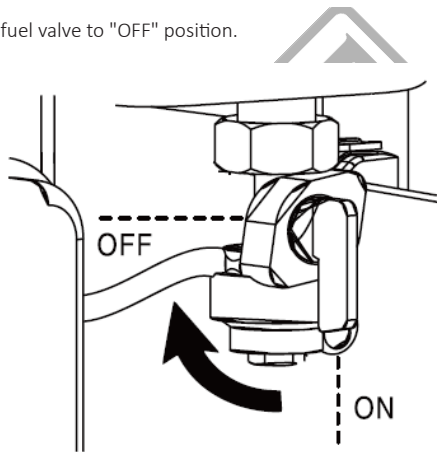


WARNING: NEVER stop the engine with electrical devices connected and with the connected devices turned "ON".

- 3 Allow the generator run at no load for a few minutes to stabilize internal temperatures of the engine and generator.
- 4 Turn off the flame-out switch (turn the engine switch to "OFF" position)



- 5 Turn the fuel valve to "OFF" position.



IV. Maintenance

It is the operator's responsibility to complete all scheduled maintenance in a timely manner. Correct any issue before operating the generator. Always follow the inspection and maintenance recommendations and schedules in this manual. Before servicing the generator, stop the generator, disconnect all electric devices and battery (if equipped) and allow the generator to cool down.

DANGER: accidental starts can cause severe **injury or death**. Remove and ground spark plug wire, before performing any service.

WARNING: improper maintenance or failure to correct a problem before operation can cause a malfunction and may result in property damage, serious injury or DEATH. Improper maintenance will void our warranty.

CAUTION: the filter element may contain PAHs, PAHs are harmful for your health. Please wear gloves for protection during air filter maintenance.

1. Maintenance schedule

Follow the service intervals indicated in the chart below. Service your generator more frequently when operating in adverse conditions. Contact your local service dealer for your generator or engine maintenance needs.

2. Generator maintenance

Make certain that the generator is kept clean and stored properly. Use a damp cloth to clean exterior surfaces of the generator. Use an compressed air(25 PSI) to clear dirt and debris from the generator. Inspect all air vents and cooling slots to ensure that they are clean and unobstructed.

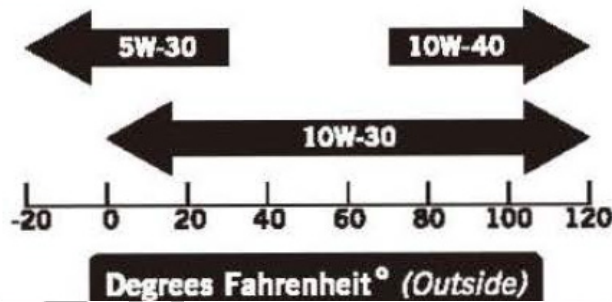
WARNING: DO NOT use water to clean the generator. Water can enter the generator through the cooling slots and damage the generator windings.

WARNING: DO NOT modify the generator in anyway. DO NOT tamper with governed speed. Generator supplies correct rated frequency and voltage when running at factory set. Tampering with the factory set governor will void your warranty

3. Engine maintenance

Engine Oil

SAE 10W-30 is recommended for general, all-temperature use. Other viscosities shown in the chart may be used when the average temperature in your area is within the indicated range.

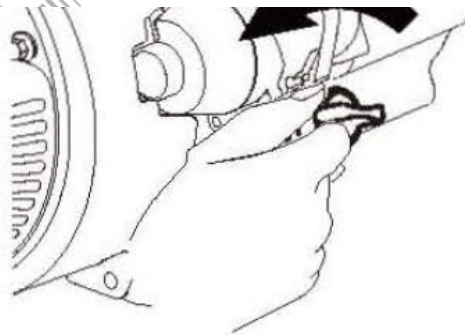


Ambient Temperature

Oil Capacity (rated), see parameters

Add Oil

1. Place the engine on a level surface.
2. Remove the dipstick and wipe it clean.



3. Add recommended oil to the upper limit.

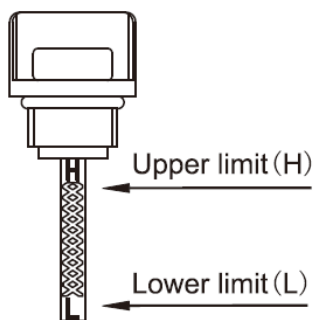
		Each time before use	10 hours or the first month ¹	50 hours or every three months ²	100 hours or every six months ²	300 hours or every year ²
Engine oil	Inspection	✓				
	Replacement		✓		✓	
Air Filter	inspection	✓				
	cleaning			✓ ³		
Spark plug	inspection & adjustment				✓	
	replacement					✓
Spark extinguisher ¹	cleaning				✓	
idle speed	inspection and adjustment					✓ ⁴
Valve Clearance	Inspection and adjustment					✓ ⁴
Carbon ¹ canister	inspection	Every two years ⁴				
Low permeability oil tube	inspection	Every two years ⁴				
Oil tube	Inspection	Every two years ⁴				

Note1: Applicable types (if available).

Note2: Before each season and after then (whichever comes first).

Note3: Service more frequently under severe, dusty, dirty conditions.

Note4: To be performed by knowledgeable, experienced owners or the authorized dealer.



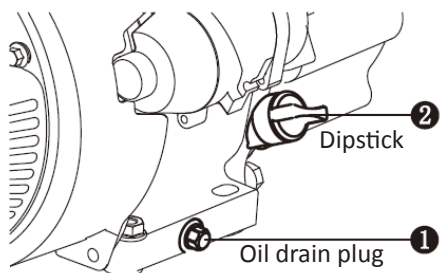
CAUTION Oil level check: Reinstall dipstick into tube; rest on oil fill neck DO NOT thread cap into tube.

4. Fully tighten the dipstick.
5. Dispose of used oil at an approve waste management facility.

Change oil:

CAUTION: Change oil when the engine is warm from operation.

1. Place the engine on a level surface.
2. Clean area around dipstick and drain plug.
3. Remove oil dipstick.

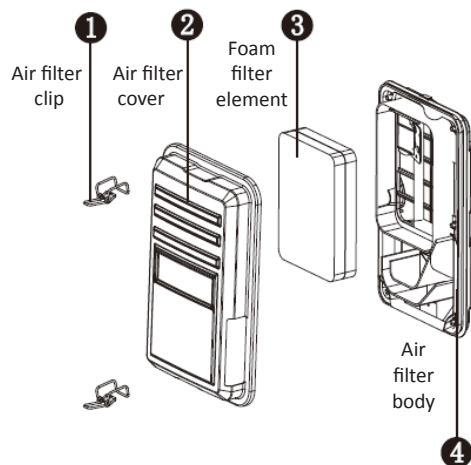


4. Remove the oil drain plug and allow the oil to drain completely.
5. Fully tighten the drain plug.
6. Add recommended oil to the upper limit (see add oil instruction above).
7. Reinstall and fully tighten the dipstick.
8. Dispose of used oil at an approved waste management facility.

WARNING: The engine is not filled with oil at the factory. An operation before it has been properly filled with the recommended type and amount of oil may result in engine damage and void your warranty.

Air filter

1. Loosen the air filter clip and remove the cover of the air filter.
2. Remove the foam filter element.
3. Wash in liquid detergent and warm water.
4. Squeeze thoroughly dry in a clean cloth.
5. Saturate in clean engine oil.
6. Squeeze in a clean, absorbent cloth to remove all excess oil.
7. Place the filter in the assembly.
8. Install the air filter cover, and fix it with air filter hinge.



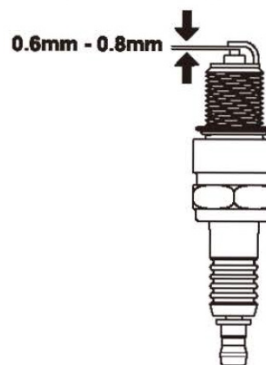
WARNING: DO NOT run the engine without the air filter serious danger can result.

Spark plug

1. Clean any dirt from the spark plug cap and spark plug base.
2. Remove the spark plug cap.
3. Using socket wrench to loose and remove the spark plug.
4. Inspect the spark plug and spark plug washer, if it's damaged or worn, replace with new one. Clean the spark plug with wire brush if reuse it.
5. Check spark plug gap. Carefully bend side electrode to adjust the gap if necessary.

Spark plug gap:

0,6 mm - 0,8 mm



6. Carefully thread the plug into the engine **by hand**.
7. After the spark plug is seated, use spark plug wrench to tighten the plug.

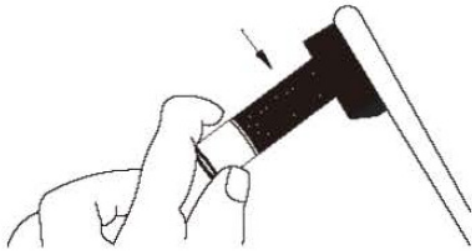
Spark Plug tighten Torque: 15-20 N.m

8. Attach the spark plug wire to the plug.

WARNING: Only use recommended spark plug or equivalent. DO NOT use spark plugs that have improper heat range.

Spark Arrester (if applicable)

1. Allow the engine to cool completely before servicing the spark arrester.
2. Remove the two screws holding the cover plate which retains the end of the spark arrester to the muffler.
3. Remove the spark arrester screen.
4. Carefully remove the carbon deposits from the spark arrester screen with a wire brush.



5. Replace the spark arrester if it is damaged.
6. Reinstall the spark arrester in the muffler and attach with the two screws.

Speed

The speed has been preset at the factory and should rarely require readjustment. Consult your local authorized dealer for such needs.

WARNING: Unapproved adjustment will damage your engine and/or your electrical devices and void your warranty.

Adjustment

There is no other service and/or adjustment need for your generator. Unapproved adjustments or tampering can damage your generator and your electrical devices and will void your warranty. Contact your local dealer for such needs.

WARNING: tampering with the factory set governor will damage your generator and void your warranty.

V. Storage and transportation

Storage

The generating set should be started at least once every two weeks and allowed to run for at least 20 minutes. Follow the instructions below for longer term storage if the generating set will be out of service for 2 months or more.

DANGER of fire or explosion Gasoline is highly flammable and extremely explosive. Empty the fuel tank and shut off fuel valve before storing or transporting this generating set.

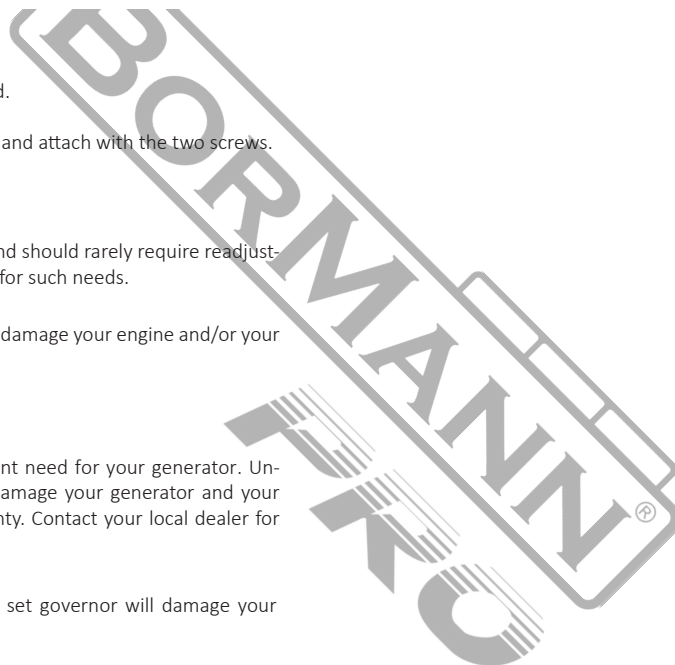
1. Allow the generating set to cool completely before storage.
2. Clean the generating set according to the instructions in the maintenance section.
3. Drain all fuel completely from the fuel hose and carburetor to prevent gum from forming.
4. Turn off the fuel supply at the fuel valve.
5. Change the oil.
6. Reattach the spark plug.

7. Remove the spark plug and pour about 15 ml of oil into the cylinder. Crank the engine slowly to distribute the oil and lubricate the cylinder.

8. Store the unit in a clean, dry area out of direct sunlight. Transportation. To prevent fuel spillage when transporting or during temporary storage, the generating set should be secured upright in its normal operating position, with the engine switch OFF. The fuel valve lever should be turned OFF.

WARNING:

Do not overfill the tank. Do not operate the generating set while it is on vehicle. Take the generating set off the vehicle and use it in a well-ventilated place. Avoid a place exposed to direct sunlight when putting the generating set on a vehicle. If the generating set is left in an enclosed vehicle for many hours, high temperature inside the vehicle could cause fuel to vaporize resulting in a possible explosion. Do not drive on a rough road for an extended period with the generating set on board. If you must transport the generating set on a rough road, drain the fuel from the generating set beforehand.



VI. Trouble Shooting		
FAILURE	CAUSE	REMOVE METHOD
Engine won't start.	Engine switch is "OFF".	Turn engine switch to the "ON" position.
	No Fuel.	Fill tank per instructions in this manual.
	Inadequate engine oil.	Check oil level. This engine is equipped with a low oil sensor. The engine cannot be started unless the oil level is above the prescribed lower limit.
	No ignition.	Remove the spark plug cap. Clean Engine any dirt from around the plug base, won't start. then remove the spark plug. Install the spark plug in the plug cap. Turn the engine switch "ON". Grounding the electrode to any engine ground, pull the recoil starter to see if sparks No ignition. jump across the gap. If there is no spark, replace the plug. Reinstall the plug and start engine according to instructions in this manual. Consult Customer Service if necessary.
Generator has no output.	No ignition.	Reset circuit breakers.
	Inadequate cord sets or extension cords.	Check cord sets or extension cords capabilities in section Controls Cable Size in this manual. Consult Customer Service if necessary.

* The manufacturer reserves the right to make minor changes to product design and technical specifications without prior notice unless these changes significantly affect the performance and safety of the products. The parts described / illustrated in the pages of the manual that you hold in your hands may also concern other models of the manufacturer's product line with similar features and may not be included in the product you just acquired.

* Please note that our equipment has not been designed for use in commercial, trade or industrial applications. Our warranty will be voided if the machine is used in commercial, trade or industrial businesses or for equivalent purposes.

* To ensure the safety and reliability of the product and the warranty validity, all repair, inspection, repair or replacement work, including maintenance and special adjustments, must only be carried out by technicians of the authorized service department of the manufacturer.

* Always use the product with the supplied equipment. Operation of the product with non-provided equipment may cause malfunctions or even serious injury or death. The manufacturer and the importer shall not be liable for injuries and damages resulting from the use of non-conforming equipment.

I. ΟΔΗΓΙΕΣ ΑΣΦΑΛΕΙΑΣ: Δώστε προσοχή σε όλα τα σύμβολα συναγερμού ασφαλείας επί της γεννήτριας. Διαβάστε και τηρείτε όλα τα μηνύματα ασφαλείας που ακολουθούν στο παρόν εγχειρίδιο οδηγιών ώστε να αποφύγετε πιθανές υλικές ζημιές, τραυματισμό ή ακόμα και θάνατο. Πριν από κάθε μήνυμα ασφαλείας προηγείται μία από τις ακόλουθες λέξεις: ΚΙΝΔΥΝΟΣ, ΠΡΟΕΙΔΟΠΟΙΗΣΗ ή ΠΡΟΣΟΧΗ, αναλόγως της επικινδυνότητας της σχετικής κατάστασης. **Σημείωση:** επισημαίνουμε ότι οι όροι "μηχανή", "γεννήτρια", "ηλεκτροπαραγωγό ζεύγος" και η συντόμηση "H/Z" εναλλάσσονται σε ορισμένα σημεία στις κάτωθι οδηγίες με την αυτή σημασία.

1. ΑΣΦΑΛΕΙΑ ΧΕΙΡΙΣΤΗ

ΚΙΝΔΥΝΟΣ Υποδεικνύει μια επικίνδυνη κατάσταση κατά την οποία αν δεν τηρηθούν αυστηρά οι οδηγίες, θα επιφέρει σημαντικές υλικές ζημιές, σοβαρό τραυματισμό ή και ΘΑΝΑΤΟ.

ΠΡΟΕΙΔΟΠΟΙΗΣΗ Υποδεικνύει μια επικίνδυνη κατάσταση κατά την οποία αν δεν τηρηθούν αυστηρά οι οδηγίες, μπορεί ενδεχομένως να επιφέρει σημαντικές υλικές ζημιές, σοβαρό τραυματισμό ή και ΘΑΝΑΤΟ.

ΠΡΟΣΟΧΗ Υποδεικνύει μια επικίνδυνη κατάσταση κατά την οποία αν δεν τηρηθούν αυστηρά οι οδηγίες, μπορεί ενδεχομένως να επιφέρει σημαντικές υλικές ζημιές ή/και σοβαρό τραυματισμό.

ΔΙΑΒΑΣΤΕ ΤΟ ΕΓΧΕΙΡΙΔΙΟ ΑΥΤΟ ΟΔΗΓΙΩΝ ΠΛΗΡΩΣ ΠΡΙΝ ΤΗΝ ΛΕΙΤΟΥΡΓΙΑ ΤΗΣ ΓΕΝΝΗΤΡΙΑΣ.

ΜΗΝ εκκινήσετε την γεννήτρια αυτή αν δεν διαβάσετε ΠΛΗΡΩΣ τις οδηγίες ασφαλείας, λειτουργίας, και συντήρησης που αναφέρονται σε αυτό το εγχειρίδιο χρήσης. Μη συμμόρφωση με τις οδηγίες αυτές μπορεί να επιφέρει υλικές ζημιές, τραυματισμούς ή θανάτους. Οι προειδοποιήσεις και οι προφυλάξεις που περιγράφονται στο παρόν εγχειρίδιο δεν μπορούν να καλύψουν όλες τις πιθανές συνθήκες και καταστάσεις που μπορεί να προκύψουν. Κατά την χρήση της γεννήτριας χρησιμοποιήστε την κοινή λογική. Η γεννήτρια αυτή προορίζεται μόνο για οικιακή χρήση. Οι αερόψυκτες γεννήτριες δεν επιτρέπεται να έχουν συνεχή λειτουργία.

Πριν από κάθε χρήση, ελέγξτε για χαλαρά ή κατεστραμμένα μέρη, σημάδια διαρροής λαδιού ή καυσίμου, καθώς και οποιαδήποτε άλλη κατάσταση που μπορεί να επηρεάσει τη σωστή λειτουργία. Επισκευάστε ή αντικαταστήστε όλα τα κατεστραμμένα ή ελαττωματικά εξαρτήματα αμέσως. Εντοπίστε όλα τα χειριστήρια λειτουργίας και ελέγχου καθώς και τις ετικέτες ασφαλείας επί της μηχανής. Λειτουργήστε την γεννήτρια μόνο σε επίπεδες επιφάνειες.

ΜΗΝ εκθέτετε τη γεννήτρια σε υπερβολική υγρασία, σκόνη ή ακαθαρσίες. Κρατήστε όλους τους προφυλακτικές ασφαλείας στη θέση τους και σε σωστή κατάσταση λειτουργίας ανά πάσα στιγμή.

ΜΗΝ αφήνετε κανένα υλικό να μπλοκάρει στις σχισμές ψύξης.

ΜΗΝ επιτρέπετε σε παιδιά ή ανεκπαίδευτα άτομα να χειρίζονται τη γεννήτρια.

ΜΗΝ λειτουργείτε την γεννήτρια άνευ επίβλεψης. Αποσυνδέστε την γεννήτρια πριν αποχωρήσετε από την χώρο λειτουργίας της.

ΦΩΤΙΑ

Η λειτουργία της γεννήτριας μπορεί να δημιουργήσει σπινθήρες που μπορούν να ξεκινήσουν πυρκαγιές γύρω από ξηρή βλάστηση. Η γεννήτρια μπορεί να μην είναι εξοπλισμένη με μια φλογοπαγίδα. Εάν η γεννήτρια χρησιμοποιηθεί γύρω από εύφλεκτα υλικά, ή σε εκτάσεις που καλύπτονται με υλικά όπως γεωργικές καλλιέργειες, δάσος, γρασίδι, ή άλλα παρόμοια, τότε πρέπει να εγκατασταθεί εγκεκριμένη φλογοπαγίδα. Σε ορισμένες περιοχές, οι φλογοπαγίδες απαιτούνται από το νόμο. Παρακαλείστε να επικοινωνήσετε με την τοπική πυροσβεστική υπηρεσία για νόμους ή κανονισμούς σχετικά με τις απαιτήσεις πρόληψης πυρκαγιών. Διαβάστε τις οδηγίες που παρέχονται με τον εξοπλισμό που ηλεκτροδοτείται από την γεννήτρια για τυχόν πρόσθετους κανόνες ασφαλείας που θα πρέπει να τηρούνται σε συνδυασμό με την εκκίνηση της γεννήτριας, τη διακοπή λειτουργίας, τη λειτουργία ή την προστατευτική ενδυμασία που μπορεί να χρειαστεί για τη λειτουργία του εξοπλισμού.

ΚΑΥΤΗ ΕΠΙΦΑΝΕΙΑ

Οι εν λειτουργία γεννήτριες παράγουν θερμότητα. Σοβαρά εγκαύματα μπορεί να λάβουν χώρα κατά μια οποιαδήποτε επαφή. ΜΗΝ αγγίζετε τη γεννήτρια κατά τη λειτουργία της ή αμέσως μετά τη διακοπή λειτουργίας της. Αποφύγετε την επαφή με θερμά καυσάερα. Διατηρείτε τουλάχιστον ένα μέτρο κενού χώρου περί της γεννήτριας, από κάθε πλευρά, ώστε να διασφαλίζεται επαρκής ψύξη. Η ύπαρξη εύφλεκτων υλικών μπορεί να οδηγήσει σε ανάφλεξη. Διατηρήστε τουλάχιστον 1,5 μέτρο απόσταση από εύφλεκτα υλικά.

ΤΟΞΙΚΕΣ ΑΝΑΘΥΜΙΑΣΕΙΣ

Η εξάτμιση του κινητήρα περιέχει μονοξείδιο του άνθρακα, ένα άοσμο, άχρωμο, δηλητηριώδες αέριο. Η χρήση της μηχανής σε εσωτερικούς χώρους μπορεί να είναι καταστική θανατηφόρα! ΠΟΤΕ μην χρησιμοποιείτε την μηχανή μέσα σε οποιοδήποτε κτίριο ή οποιοδήποτε είδος περιβλήματος, ακόμα και αν οι πόρτες και τα παράθυρα είναι ανοιχτά. Τοποθετήστε την μηχανή σε καλά αεριζόμενο χώρο και λάβετε υπόψιν σας τα αέρια ρεύματα και την κατεύθυνση του ανέμου κατά την τοποθέτηση της μηχανής.

ΦΩΤΙΑ / ΕΚΡΗΞΗ

Η βενζίνη είναι άκρως εύφλεκτη και εξαιρετικά εκρηκτική. Τυχόν πυρκαγιά ή η έκρηξη μπορούν να προκαλέσουν σοβαρά εγκαύματα ή/και θάνατο. Κρατήστε τα εύφλεκτα αντικείμενα μακριά κατά το χειρισμό της γεννήτριας. Γεμίστε τη δεξαμενή καυσίμου σε εξωτερικούς χώρους, σε καλά αεριζόμενη περιοχή όταν η λειτουργία της μηχανής έχει διακοπεί. Σκουπίστε πάντοτε καύσιμα που έχουν διαρρεύσει και περιμένετε έως ότου στεγνώσει το καύσιμο πριν από την εκκίνηση της γεννήτριας. ΜΗΝ λειτουργείτε την γεννήτρια αν υπάρχουν διαρροές καυσίμου. Χρησιμοποιήστε τις κατάλληλες διαδικασίες αποθήκευσης και χειρισμού καυσίμων. ΜΗΝ αποθηκεύετε καύσιμα ή άλλα εύφλεκτα υλικά σε κοντινή απόσταση. Αδειάστε το ρεζερβουάρ καυσίμου πριν αποθηκεύσετε ή μεταφέρετε την γεννήτρια αυτή. Έχετε πάντοτε έναν πυροσβεστήρα διαθέσιμο και να είστε προετοιμασμένοι για το ενδεχόμενο πυρκαγιών.

ΚΙΝΟΥΜΕΝΑ ΜΕΡΗ

Τα κινούμενα μέρη μπορεί να προκαλέσουν σοβαρό τραυματισμό. Κρατήστε τα χέρια και τα πόδια σας μακριά τους. ΜΗΝ χειρίζεστε την μηχανή αν τα διάφορα καλύμμάτα της, περιβλήματα και προφυλακτήρες έχουν αφαιρεθεί. ΜΗΝ φοράτε φαρδιά ρούχα, κορδόνια ή αντικείμενα που θα μπορούσαν να εμπλακούν στα κινούμενα μέρη του μηχανήματος. Δέστε τυχόν μακριά μαλλιά και αφαιρέστε κοσμήματα. ΠΟΤΕ μην τοποθετείτε τα δάχτυλά σας, τα χέρια ή το σώμα πλησίον της μηχανής όταν βρίσκεται σε λειτουργία.

ΟΞΕΑ

(Για τύπους εξοπλισμένους με μπαταρία)

Να είστε προσεκτικοί όταν χρησιμοποιείτε οποιαδήποτε μπαταρία. Μείνετε μακριά από ανοικτή φλόγα, θερμότητα ή σπινθήρα. Φορτίστε μια μπαταρία μόνο σε καλά αεριζόμενο χώρο. Αποφύγετε οξέα μπαταριών τα οποία έχουν διαρρεύσει. Αν οξέα έρθουν σε επαφή με το δέρμα, καθαρίστε αμέσως την περιοχή με άφθονο καθαρό νερό.

ΑΝΑΚΡΟΥΣΗ (ΚΛΩΤΣΗΜΑ)

Η ταχεία επαναφορά του εκκινήτη (χειρόμυζα) θα τραβήξει το χέρι σας προς τον κινητήρα γρηγορότερα από όσο μπορείτε να απεμπλακείτε από αυτόν. Μη σκόπιμη εκκίνηση μπορεί να καταλήξει σε εμπλοκή, τραυματικό ακρωτηριασμό, κατάγμα, μώλωπες ή διαστρέμματα.

ΗΛΕΚΤΡΟΠΛΗΞΙΑ

Αυτή η γεννήτρια παράγει επαρκώς ισχυρή τάση ώστε το προκύπτον ηλεκτρικό ρεύμα να μπορεί να επιφέρει ΘΑΝΑΤΟ. Η γεννήτρια πρέπει να είναι σωστά συνδεδεμένη σε κατάλληλη γείωση προκειμένου να προλαμβάνεται ηλεκτροπληξία. Εάν η γεννήτρια δεν γειωθεί ορθώς μπορεί να προκαλέσει η ηλεκτροπληξία, ειδικά αν η γεννήτρια είναι εξοπλισμένη με κιτ τροχών. Συμβουλευτείτε έναν ηλεκτρολόγο για τις τοπικές απαιτήσεις γείωσης. Η όλη εγκατάσταση θα πρέπει να πραγματοποιείται από ηλεκτρολόγο ο οποίος κατέχει τις σχετικές άδειες. Μη ορθός τρόπος εγκατάστασης μπορεί να προκαλέσει ηλεκτροπληξία και θάνατο. Προκειμένου να μειωθεί ο κίνδυνος ηλεκτροπληξίας:

- ΜΗΝ χρησιμοποιείτε ηλεκτρικά καλώδια που είναι φθαρμένα, γυμνά ή φαίνεται ότι έχουν υποστεί με άλλον τρόπο βλάβη.
- ΜΗΝ αγγίζετε γυμνά καλώδια ή υποδοχές (πρίζες).
- ΜΗΝ λειτουργείτε τη γεννήτρια σε συνθήκες υγρασίας. Κρατήστε τη γεννήτρια στεγνή.
- ΜΗΝ χειρίζεστε την γεννήτρια ή τα ηλεκτρικά καλώδια ενώ στέκεστε σε νερό, ενώ είστε ξυπόλητοι, ή ενώ τα χέρια ή τα πόδια σας είναι βρεγμένα.
- ΜΗΝ συνδέετε οποιαδήποτε γεννήτρια σε ένα ηλεκτρικό σύστημα κτιρίου χωρίς την κατάλληλη χρήση και εγκατάσταση ενός διακόπτη απόζευξης που εγκαθίσταται από εξειδικευμένο ηλεκτρολόγο.
- Όταν χρησιμοποιείτε γεννήτρια για εφεδρική ισχύ, ειδοποιήστε τον Διαχειριστή του Δικτύου Διανομής Ηλεκτρικής Ενέργειας. Ακολουθήστε τις σύμφωνες με τον Διαχειριστή διαδικασίες προκειμένου να απομονώσετε τη γεννήτρια από το Ηλεκτρικό Δίκτυο.
- Αποτυχία απομόνωσης της γεννήτριας από το Δίκτυο Διανομής μπορεί να καταλήξει σε θάνατο ή τον τραυματισμό στους εργαζομένους του Διαχειριστή Δικτύου λόγω ανάστροφης ροής της ηλεκτρικής ισχύος.

II. Εισαγωγή

1. Αποσυσκευασία

Αφαίρεση συσκευασίας από την γεννήτρια.

1. Τοποθετήστε την όλη συσκευασία σε μια σταθερή επίπεδη επιφάνεια.
2. Προσεκτικά κόψτε κάθε άκρο από το κουτί συσκευασίας με κατεύθυνση από πάνω προς τα κάτω. Διπλώστε κάθε πλευρά σε επίπεδη μορφή στο έδαφος.
3. Αφαιρέστε το χαρτόνι που περιβάλλει το προϊόν.

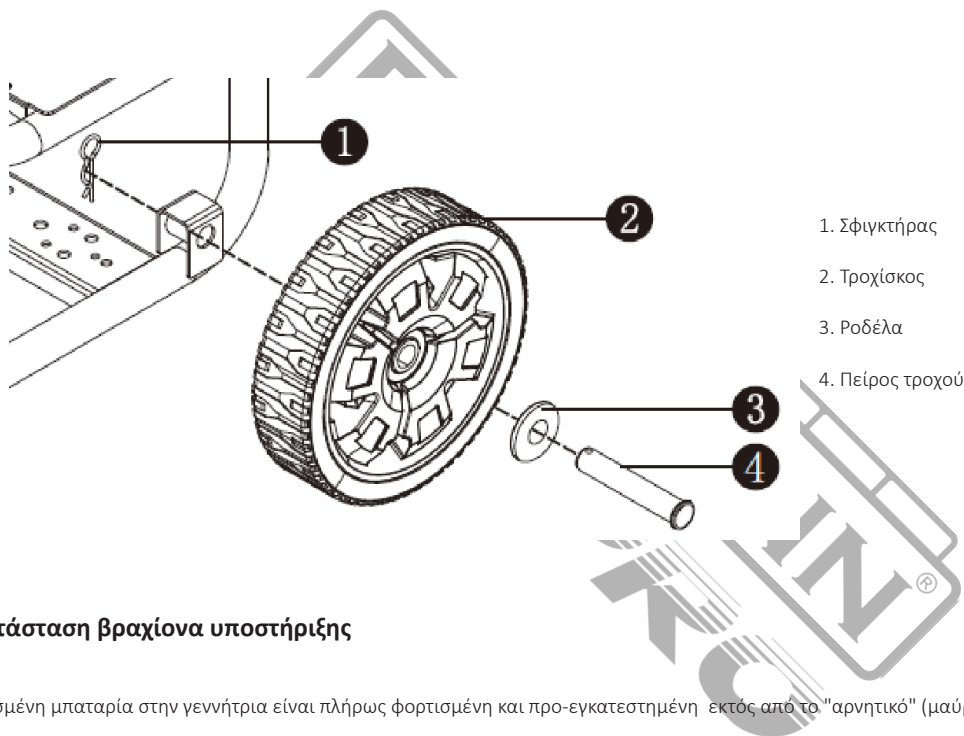
2. Συναρμολόγηση

Η γεννήτρια μπορεί να απαιτεί κάποια συναρμολόγηση. Εάν έχετε οποιεσδήποτε ερωτήσεις σε ό,τι αφορά την συναρμολόγηση της γεννήτριάς σας, παρακαλούμε συμβουλευτείτε τον προμηθευτή σας, έχοντας μαζί σας τον αριθμό του μοντέλου και το serial number (σειριακό αριθμό).

A. Εγκατάσταση Kit Τροχίσκων

Τοποθετήστε τον πείρο στον τροχίσκο στηρίζοντας τον στην οπή και στερεώστε με τον σφιγκτήρα.

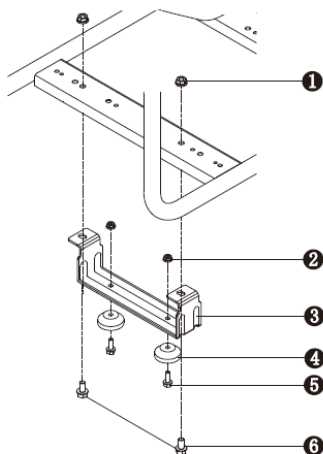
Σημείωση: Μπορεί να χρησιμοποιηθεί μια επίπεδη ροδέλα για καλύτερη συναρμογή εφόσον απαιτηθεί.



1. Σφιγκτήρας
2. Τροχίσκος
3. Ροδέλα
4. Πείρος τροχού

B. Εγκατάσταση βραχίονα υποστήριξης

Η σφραγισμένη μπαταρία στην γεννήτρια είναι πλήρως φορτισμένη και προ-εγκατεστημένη εκτός από το "αρνητικό" (μαύρο) καλώδιο μπαταρίας.



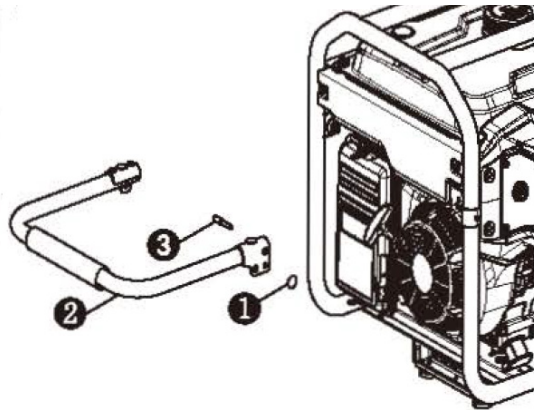
1. Παξιμάδι βραχίονα υποστήριξης M8
2. Παξιμάδι αντικραδασμικής έδρασης M6
3. Βραχίονας υποστήριξης
4. Αντικραδασμική έδραση
5. Παξιμάδι αντικραδασμικής έδρασης M6/18
6. Βίδα βραχίονα υποστήριξης M8/16

C. Εγκατάσταση λαβής

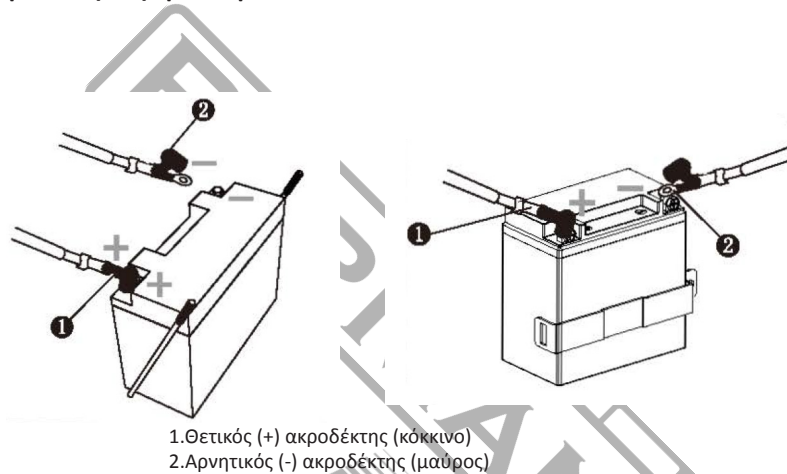
Χρησιμοποιήστε τον πείρο λαβής διαπερνώντας τον στην οπή στήριξης και ακολούθως συσφίξτε με τον σφιγκτήρα.

Η σφραγισμένη μπαταρία στην γεννήτρια είναι πλήρως φορτισμένη και προ-εγκατεστημένη εκτός από το "αρνητικό" (μαύρο) καλώδιο. Εγκατάσταση: Κόψτε την σύνδεση που συγκρατεί το χαλαρό άκρο του "αρνητικού" (μαύρου) καλωδίου. Συνδέστε το "αρνητικό" (μαύρο) καλώδιο μπαταρίας στον αρνητικό (-) ακροδέκτη της μπαταρίας. Επιβεβαιώστε την ορθή σύνδεση και ασφαλίστε τις συνδέσεις μεταξύ της μπαταρίας και της γεννήτριας.

1. Αλυσίδα
2. Λαβή Μεταφοράς
3. Πείρος



D. Σύνδεση "αρνητικού" ακροδέκτη στην μπαταρία



1. Θετικός (+) ακροδέκτης (κόκκινο)
2. Αρνητικός (-) ακροδέκτης (μαύρος)

III. Λειτουργία

1. Check List Λειτουργιών

A. Τοποθεσία Λειτουργίας

Χρησιμοποιείτε την γεννήτρια μόνο σε ΕΞΩΤΕΡΙΚΟ ΧΩΡΟ και τοποθετήστε την σε μια καλώς αεριζόμενη περιοχή. Χρησιμοποιείτε την γεννήτρια MONO σε μια επίπεδη επιφάνεια και σε ένα καθαρό, ξηρό περιβάλλον υγρασίας. Επιτρέψτε 60 εκατοστά τουλάχιστον διάκενο σε όλες τις πλευρές τις γεννήτριας όταν λειτουργεί σε εξωτερικό χώρο. Συμβουλευτείτε την τοπική αρχή για περαιτέρω οδηγίες. Σε ορισμένες περιοχές, οι γεννήτριας πρέπει να καταγράφονται από την τοπική εταιρεία ηλεκτρισμού (Διαχειριστή του Δικτύου Διανομής). Οι γεννήτριας που χρησιμοποιούνται για τα εργοτάξια μπορεί να είναι υποκείμενες σε επιπρόσθετους κανόνες και ρυθμίσεις.

ΚΙΝΔΥΝΟΣ! ΤΟΞΙΚΕΣ ΑΝΑΘΥΜΙΑΣΕΙΣ!

Η εξάτμιση της μηχανής (H/Z) εκλύει μονοξειδίο του άνθρακα, ένα άοσμο, άχρωμο, δηλητηριώδες αέριο. Η χρήση της γεννήτριας (H/Z) σε εσωτερικούς χώρους μπορεί να επιφέρει ΘΑΝΑΤΟ. ΜΗΝ ΧΡΗΣΙΜΟΠΟΙΕΙΤΕ ΠΟΤΕ ΕΝΤΟΣ ΚΤΙΡΙΟΥ Ή ΣΕ ΟΠΟΙΟΔΗΠΟΤΕ ΚΛΕΙΣΤΟ ΧΩΡΟ, ακόμη και αν τα παράθυρα και οι πόρτες ανοικτές την γεννήτρια. Τοποθετήστε την γεννήτρια σε ένα καλώς αεριζόμενο χώρο και λάβετε υπόψη σας τα αέρια ρεύματα και την κατεύθυνση του ανέμου κατά την τοποθέτηση της γεννήτριας.

Μεγάλο ύψος

Η μηχανή αυτή μπορεί να απαιτεί ένα κιτ καρμπυρατέρ μεγάλου ύψους προκειμένου να διασφαλίζεται ορθή λειτουργία σε μεγάλα ύψη. Συμβουλευτείτε τον τοπικό προμηθευτή σας για πληροφορίες περί kit μεγάλου ύψους, εάν λειτουργείτε πάντοτε την γεννήτρια σε ύψη μεγαλύτερα από 1500 μέτρα.

ΠΡΟΣΟΧΗ! Ακόμη και με την τροποποίηση του καρμπυρατέρ, η υποδύναμη του ηλεκτροπαραγωγού ζεύγους θα μειώνεται κατά 3,5% για κάθε 300 μέτρα αύξησης υψόμετρου. Η επίδραση του υψόμετρου στην υποδύναμη θα είναι μεγαλύτερη αν δεν πραγματοποιηθεί μετατροπή στο καρμπυρατέρ.

ΠΡΟΣΟΧΗ! Λειτουργία της μηχανής σε υψόμετρο μικρότερο από τα 1500 μέτρα με μετατροπή καρμπυρατέρ μπορεί να προκαλέσει σοβαρή ζημία στην μηχανή.

2. ΚΑΤΑΣΤΑΣΗ ΛΕΙΤΟΥΡΓΙΑΣ

Ελέγξτε για χαλαρά (άνευ ορθής σύσφιξης) ή κατεστραμμένα τμήματα, σημάδια διαρροής ελαίων ή καυσίμου, και οποιαδήποτε άλλη κατάσταση που θα μπορούσε να επηρεάσει την κανονική λειτουργία. Επιδιορθώστε ή αντικαταστήστε όλα τα κατεστραμμένα ή ελαττωματικά εξαρτήματα αμέσως.

ΚΙΝΔΥΝΟΣ Εάν δεν διορθώσετε τα προβλήματα προ της λειτουργίας μπορούν ενδεχομένως να προκληθούν ζημιές σε περιουσία, σοβαρός τραυματισμός ή ακόμα και ΘΑΝΑΤΟΣ. Αφαιρέστε όλες τις περιττές ακαθαρσίες ή/και υπολείμματα, ιδιαίτερως γύρω από την εξάτμιση και τον εκκινητή με σχοινί. ΜΗΝ μετακινείτε, ή/και μην αναποδογυρίζετε την γεννήτρια κατά την διάρκεια της λειτουργίας. Να χρησιμοποιείτε την γεννήτρια μόνο για τους σκοπούς που αυτή προορίζεται. Εάν υπάρχουν ερωτήματα σχετικά με την σκοπούμενη χρήση, παρακαλούμε ρωτήστε τον προμηθευτή σας.

C. Λάδι μηχανής

Τοποθετήστε την μηχανή σε μια επίπεδη επιφάνεια όταν η μηχανή έχει σταματήσει. Αφαιρέστε τον δείκτη στάθμης λαδιού (και καθαρίστε τον). Εγκαταστήστε εκ νέου τον δείκτη στάθμη λαδιού στον σωλήνα.

Επανατοποθετήστε τον δείκτη στάθμης λαδιού στην οπή, αφήνοντάς τον να ακουμπήσει στην πάνω επιφάνεια της οπής, χωρίς όμως να τον βιδώσετε.

Γεμίστε έως το ανώτερο όριο (σημειώστε με "H") του δείκτη στάθμης λαδιού με τον λάδι το οποίο συνιστάται εάν το επίπεδο του λαδιού είναι χαμηλό.

Εγκαταστήστε και συσφίξτε πλήρως τον δείκτη στάθμης λαδιού.

Για την προσθήκη ελαίου (λαδιού) δείτε το κεφάλαιο που αφορά την Συντήρηση για περισσότερες πληροφορίες.

Ονομαστική ικανότητα πλήρωσης με Έλαιο (λάδι) : Δείτε τις παραμέτρους.

ΠΡΟΕΙΔΟΠΟΙΗΣΗ : Το λάδι είναι ένας πολύ βασικός παράγοντας επηρεασμού της απόδοσης και της διάρκειας ζωής του μηχανήματος. Χρησιμοποιήστε απορρυπαντικό έλαιο τετραχρόνων κινητήρων το οποίο συνιστάται στο κεφάλαιο της Συντήρησης του εγχειρίδιου χρήσης.

ΠΡΟΕΙΔΟΠΟΙΗΣΗ : Η μηχανή αυτή δεν είναι πεπληρωμένη με λάδι στο εργοστάσιο. Κάθε προσπάθεια εκκίνησης του κινητήρα πριν αυτός πληρωθεί καταλλήλως με τον συνιστώμενο τύπο και ποσότητα λαδιού μπορεί να καταλήξει σε καταστροφή της μηχανής και να ακυρώσει κατά συνέπεια την εγγύησή σας.

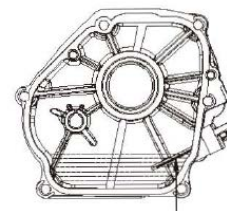
ΠΡΟΣΟΧΗ: Να λειτουργείτε την γεννήτρια μόνο σε επίπεδες επιφάνειες. Η μηχανή είναι εξοπλισμένη με έναν αισθητήρα χαμηλής στάθμης λαδιού (εφαρμοζόμενοι τύποι) ο οποίος θα σταματήσει αυτομάτως την μηχανή όταν η στάθμη λαδιού πέσει κάτω από το όριο ασφαλείας. Προκειμένου να αποφευχθεί η μη επιθυμητή κατάσταση μιας απρόσμενης διακοπής λειτουργίας της μηχανής, γεμίζετε έως το άνω όριο και ελέγχετε την στάθμη λαδιού σε τακτά χρονικά διαστήματα.

D. Λάδι Μηχανής

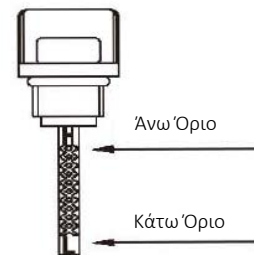
Με την μηχανή σταματημένη, ελέγξτε τον μετρητή στάθμης καυσίμου. Γεμίστε εκ νέου την δεξαμενή καυσίμου εάν είναι απαραίτητο. Χρησιμοποιείτε καθαρή, φρέσκια, κανονική αμόλυβδη βενζίνη. ΜΗΝ αναμειγνύετε έλαια με βενζίνη. Πάντοτε να καθαρίζετε τυχόν καύσιμο το οποίο έχει διαρρεύσει. Να είστε σίγουροι να μην γεμίζετε πέραν του ανώτερου ορίου στάθμης. Πάντοτε αφήνετε χώρο για εκτόνωση του καυσίμου.

ΚΙΝΔΥΝΟΣ Μην γεμίζετε την δεξαμενή καυσίμου πάνω από το άνω όριο. Τυχόν υπερχειλίση μπορεί να προκαλέσει καταστροφή της μηχανής ή του κανίστρου ενεργού άνθρακα.

ΚΙΝΔΥΝΟΣ ΜΗΝ λειτουργείτε την γεννήτρια αν υπάρχουν διαρροές στο σύστημα καυσίμου. Χρησιμοποιήστε κατάλληλη αποθήκευση καυσίμου και διαδικασίες χειρισμού. ΜΗΝ αποθηκεύετε καύσιμο ή άλλα εύφλεκτα υλικά στην γύρω περιοχή. Αδειάστε την δεξαμενή καυσίμου πριν την αποθήκευση ή μεταφορά της γεννήτριας. Να έχετε άμεση πρόσβαση σε πυροσβεστήρα και να είστε προετοιμασμένοι (σχετικά π.χ. με τον χειρισμό αυτού) εάν τυχόν υπάρξει φωτιά. Μην χρησιμοποιείτε ΠΟΤΕ προϊόντα καθαρισμού μηχανής ή καρμπυρατέρ στην δεξαμενή καυσίμου ειδάλλως θα προκύψει ενδεχομένως μόνιμη ζημία. Είναι σημαντικό να αποφεύγετε εναποθέσεις υπολειμμάτων από το να μετατρέπονται σε ουσιαστικά μέρη του συστήματος καυσίμου, όπως το καρμπυρατέρ, το φίλτρο καυσίμου, τον εύκαμπτο σωλήνα καυσίμου ή την δεξαμενή κατά την διάρκεια της αποθήκευσης. Επίσης, η εμπειρία δείχνει ότι καύσιμα εμπιερχόμενες αλκοόλες (βενζόλη, αιθανόλη ή μεθανόλη) ελκύουν υγρασία, το οποίο φαινόμενο προκαλεί διαχωρισμό και σχηματισμό οξέων κατά την διάρκεια αποθήκευσης. Τα όξινα καύσιμα μπορούν να καταστρέψουν το σύστημα καυσίμου του ηλεκτροπαραγωγού ζεύγους κατά την αποθήκευσή του. Διασφαλίστε ότι έχετε αναγνώσει τις οδηγίες στο κεφάλαιο "Αποθήκευση". Μείγματα βενζίνης/αλκοόλων έως 10% αλκοόλης, 90% αμόλυβδης βενζίνης κατ' όγκο εγκρίνονται ως καύσιμο. Άλλα μείγματα βενζίνης/αλκοόλων δεν εγκρίνονται. Επιδράσεις παλαιού, "μπαγιάτικου" ή και μολυσμένου καυσίμου λειτουργούν εις βάρος της εγγύησης.



Δείκτης Στάθμης Λαδιού



Άνω Όριο

Κάτω Όριο



Θέση μεγίστου ορίου προσθήκης καυσίμου

ΚΙΝΔΥΝΟΣ ΦΩΤΙΑΣ Ή ΕΚΡΗΞΗΣ Η βενζίνη

είναι άκρως εύφλεκτη και εξαιρετικά εκρηκτική. Κρατήστε τα εύφλεκτα αντικείμενα σε απόσταση όταν χειρίζεστε βενζίνη. Να γεμίζετε την δεξαμενή με καύσιμο σε εξωτερικό χώρο σε μια καλώς αεριζόμενη περιοχή με την γεννήτρια εκτός λειτουργίας. Καθαρίζετε πάντοτε τυχόν καύσιμο που έχει διαρρεύσει και περιμένετε έως ότου το καύσιμο έχει στεγνώσει πριν εκκινήσετε την γεννήτρια.

ΠΡΟΣΟΧΗ: Προκειμένου να περιορίσετε κολλώδεις εναποθέσεις στο σύστημα καυσίμου και προκειμένου να διασφαλιστεί εύκολη εκκίνηση, μην χρησιμοποιείτε βενζίνη που έχει απομείνει από προηγούμενη περίοδο.

ΠΡΟΣΟΧΗ: Η πίεση μπορεί να αυξηθεί στην δεξαμενή καυσίμου. Αφήστε την γεννήτρια να κρυώσει για τουλάχιστον δύο λεπτά πριν αφαιρέσετε την τάπα καυσίμου. Ξεσφίξτε την τάπα καυσίμου σιγά σιγά ώστε να απελευθερωθεί η όποια πίεση στην δεξαμενή.

E. Ηλεκτρικές Συσκευές

Αποσυνδέστε όλες τις ηλεκτρικές συσκευές από την γεννήτρια και κλείστε τον διακόπτη ασφαλείας AC πριν την εκκίνηση της μηχανής. Η γεννήτρια μπορεί να είναι δύσκολο να εκκινήσει με ηλεκτρικές συσκευές.

F. Γείωση

Η γεννήτρια πρέπει να είναι καταλλήλως γειωμένη, το οποίο συνεισφέρει στην αποτροπή ηλεκτρικού πλήγματος εάν λάβει χώρα βραχυκύκλωμα στην γεννήτρια ή στις συνδεδεμένες ηλεκτρικές συσκευές ιδίως όταν η μονάδα είναι εφοδιασμένη με ένα κιτ τροχίσκων. Η ορθή γείωση συνεισφέρει επίσης στην διάχυση του στατικού ηλεκτρισμού ο οποίος συνήθως σχηματίζεται σε μη γειωμένες συσκευές.

ΚΙΝΔΥΝΟΣ ΗΛΕΚΤΡΟΠΛΗΞΙΑΣ Παράλειψη ορθής γείωσης της γεννήτριας μπορεί να προκαλέσει ΗΛΕΚΤΡΟΠΛΗΞΙΑ

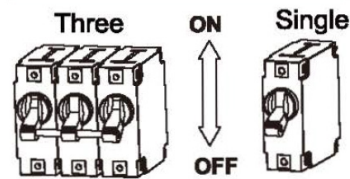
Ένας ακροδέκτης γείωσης στο πλαίσιο της γεννήτριας έχει παρασχεθεί στο άκρο της γεννήτριας. Για απομακρυσμένη γείωση, συνδέστε ένα καλώδιο βαρέος τύπου από χαλκό (4 mm²) μεταξύ του ακροδέκτη γείωσης της γεννήτριας και ενός χάλκινου αγωγού ο οποίος εμπηνύεται στο έδαφος. Απαιτείται το πλαίσιο και τα εξωτερικώς ηλεκτρικά αγώγιμα τμήματα της γεννήτριας να συνδέονται κατάλληλα σε μια γείωση. Οι τοπικοί ηλεκτρικοί κώδικες μπορούν επίσης να απαιτούν κατάλληλη γείωση της μονάδας. Συνιστούμε ενθέρμως να συμβουλευτείτε έναν εξειδικευμένο ηλεκτρολόγο για τις απαιτήσεις γείωσης στην περιοχή σας.

2. Εκκίνηση της μηχανής

1. Διατρέξτε εν τάχει την λίστα ελέγχου (Check list).
2. Γυρίστε την βαλβίδα καυσίμου στην θέση "ON".
3. Κλείστε τον διακόπτη ασφαλείας (αποζεύκτη) AC.



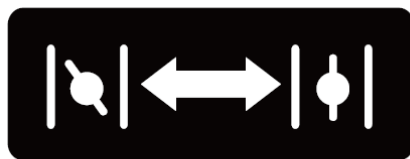
Fuel valve
(Βαλβίδα Καυσίμου)



AC breaker protector

(Διακόπτης Ασφαλείας)

4. Γυρίστε την βαλβίδα τσοκ προς την θέση "CLOSE (ΚΛΕΙΣΙΜΟ)"
5. **Ηλεκτρική Εκκίνηση:** Γυρίστε και κρατήστε τον αντίστοιχο διακόπτη στην θέση "START" έως ότου η μηχανή ξεκινήσει. Όταν ξεκινήσει η μηχανή, απελευθερώστε τον διακόπτη ώστε να γυρίσει στην θέση "RUN".

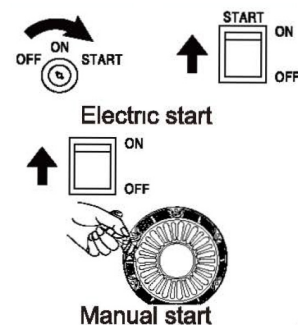


CLOSE

OPEN

Χειροκίνητη Εκκίνηση: Γυρίστε τον διακόπτη στην θέση "RUN", το αντίστοιχο κουμπί στην θέση "OPEN", και ακολούθως κρατήστε την λαβή του εκκινήτη και τραβήξτε σιγά σιγά έως ότου αισθανθείτε αντίσταση, και τότε τραβήξτε γρήγορα ώστε να επιτύχετε εκκίνηση.

ΠΡΟΣΟΧΗ: Η θέση του λεβιέ τσοκ κατά την εκκίνηση μπορεί να διαφέρει ανάλογα με την θερμοκρασία και άλλους παράγοντες. (Στην επανεκκίνηση μιας ζεστής μηχανής δεν χρειάζεται να τραβήξετε τον μοχλό τσοκ).

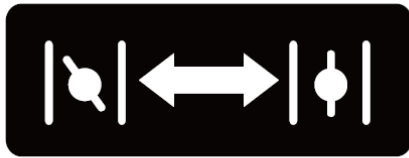


Manual start

ΠΡΟΕΙΔΟΠΟΙΗΣΗ: Ταχεία επαναφορά του σχοινιού εκκίνησης ενδέχεται να παρασύρει το χέρι και τον βραχίονα σας προς τον κινητήρα με τρόπο που μπορεί να μην προλάβετε να αφήσετε το σχοινί. Αθλήτη εκκίνηση μπορεί να οδηγήσει σε τραυματικό ακρωτηριασμό, σπασμένα κόκκαλα, κατάγματα, διαστρέμματα κ.α. Εάν δεν επιτύχετε εκκίνηση με τον ηλεκτρικό εκκινητή, αμέσως κλείστε τον εκκινητή. Μην επιχειρήσετε να επανεκκινήσετε την μηχανή αν δεν ταυτοποιηθεί η αιτία του σφάλματος. Μην εκκινείτε την μηχανή με αντικατάσταση άλλης μπαταρίας αποθήκευσης χωρίς εξουσιοδότηση.

ΠΡΟΣΟΧΗ: Εάν δεν επιτευχθεί εκκίνηση μετά από τρεις προσπάθειες ή προκύψουν φλόγες μετά την εκκίνηση, επιθεωρήστε την γεννήτρια (H/Z) και βεβαιωθείτε ότι η γεννήτρια τοποθετείται σε οριζόντια επιφάνεια καθώς επίσης και ότι επαρκές έλαιο εγχέεται στον κινητήρα. Κατά την εκκίνηση, μην κρατάτε τον διακόπτη εκκίνησης στη θέση "START" για περισσότερα από 5 δευτερόλεπτα, ειδάλως είναι πιθανό να προκληθεί ζημιά στον κινητήρα του H/Z. Εάν δεν επιτευχθεί εκκίνηση με την πρώτη προσπάθεια, επιχειρήστε επανεκκίνηση μετά από περίπου 10 δευτερόλεπτο. Αφού χρησιμοποιηθεί η μονάδα για ένα χρονικό διάστημα, εάν η ταχύτητα εκκίνησης του κινητήρα μειωθεί, παρακαλούμε αντικαταστήστε την μπαταρία. Κατά τη λειτουργία της μονάδας, η μπαταρία παρέχει ενέργεια για τη σωληνοειδή βαλβίδα του καρμπυρατέρ. Για το σκοπό αυτό, όταν η μονάδα είναι απενεργοποιημένη, βεβαιωθείτε ότι ο διακόπτης εκκίνησης βρίσκεται στη θέση "OFF" ειδάλως η τάση της μπαταρίας αποθήκευσης θα μειωθεί λόγω της λειτουργίας βαλβίδας σωληνοειδούς του καρμπυρατέρ, επηρεάζοντας την εκκίνηση για την επόμενη φορά. Εάν ο κινητήρας είναι εξοπλισμένος με συναγερμό ελαίου κινητήρα, είναι δυνατόν να αποτραπεί η εκκίνηση του κινητήρα όταν το λάδι στον στροφαλοθάλαμο είναι σε επίπεδο χαμηλότερο του ελάχιστου απαιτούμενου. Επιθεωρείτε σε τακτά χρονικά διαστήματα το λάδι του κινητήρα. Ανατρέξτε στην ενότητα συντήρησης για τη συνιστώμενη περίοδο συντήρησης.

6. Όταν το H/Z λειτουργεί σταθερά, τραβήξτε την βαλβίδα τσοκ στην θέση "OPEN".



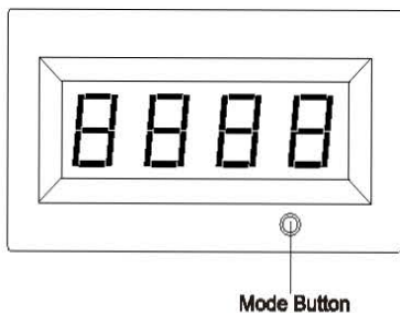
CLOSE

OPEN

7. Η γεννήτρια μπορεί να είναι στο ονομαστικό φορτίο.

ΠΡΟΕΙΔΟΠΟΙΗΣΗ: Συνδέστε τον/τους ακροδέκτη/ακροδέκτες εξόδου με τον ηλεκτρικό εξοπλισμό. Μην εκκινείτε ή διακόπτετε την λειτουργία του H/Z όταν ο ηλεκτρικός εξοπλισμός βρίσκεται σε κατάσταση "ON".

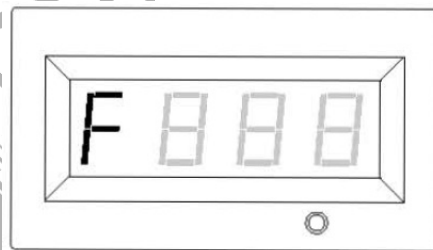
Ο **μετρητής VFT** μπορεί να χρησιμοποιηθεί για την απεικόνιση της τάσης, της συχνότητας (hertz), χρόνος λειτουργίας, και συνολικός χρόνος λειτουργίας εφόσον η επιλογή αυτή διατίθεται (ο τρόπος απεικόνισης εξαρτάται από την διαμόρφωση). Η οθόνη υγρών κρυστάλλων (LCD) απεικονίζει κάθε λειτουργία πιέζοντας το κομβίο κάτω από την οθόνη. Ο μετρητής οθόνης ρυθμίζεται είτε σε λειτουργία αυτόματου χειρισμού, ή σε λειτουργία χειροκίνητη. Στην κατάσταση χειροκίνητης λειτουργίας, πατήστε "MODE BUTTON" για την μεταβολή της λειτουργίας. Σε αυτόματη κατάσταση όμως, το "MODE BUTTON" χρησιμοποιείται για ρύθμιση τύπου reset. Συνεπώς προσέξτε ιδιαίτερως και να είστε επιφυλακτικοί κατά τους χειρισμούς.



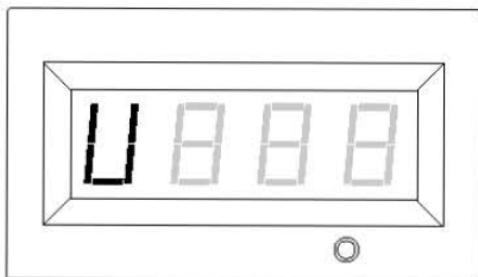
Mode Button

b. Συχνότητα (F):

Συχνότητα εξόδου σε Hz.

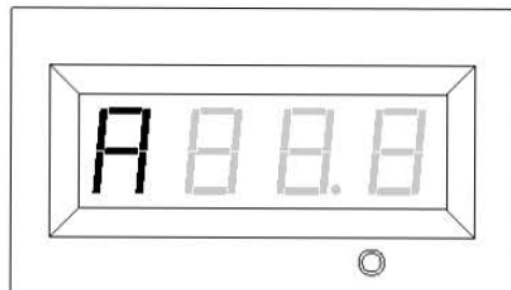


a. Τάση εξόδου γεννήτριας



c. Χρόνος λειτουργίας (R):

Χρόνος λειτουργίας της γεννήτριας τρέχουσας περιόδου

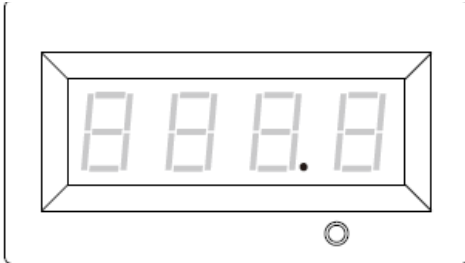


Σημείωση: Εάν η τιμή επί της οθόνης είναι μικρότερη από 100, η αριθμητική απεικόνιση θα είναι ακριβής σε ένα δεκαδικό ψηφίο. Εάν ο χρόνος λειτουργίας είναι 100 ώρες ή μεγαλύτερος, η απεικόνιση θα έχει ως εξής: "101", "102" και ούτω καθ' εξής.

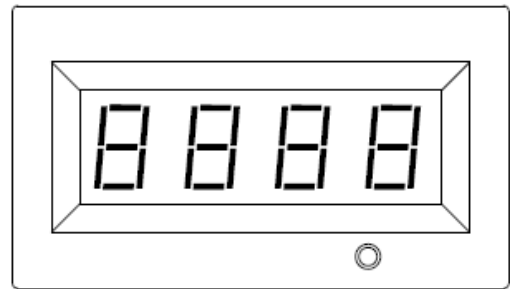
d. Συνολικός Χρόνος Λειτουργίας

Συνολικός χρόνος λειτουργίας της γεννήτριας από την εκάστοτε πρώτη λειτουργία (η απεικόνιση στην οθόνη εξαρτάται από τις ρυθμίσεις).

1) Η τιμή απεικόνισης είναι ακριβής σε ένα δεκαδικό ψηφίο ή (δείτε την εικόνα δεξιά σας)

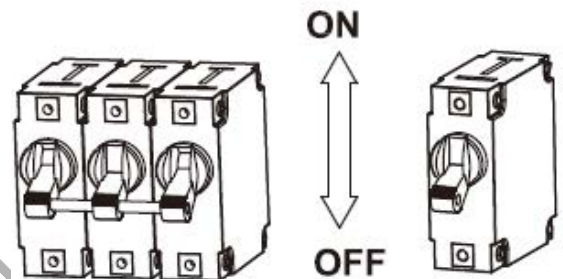
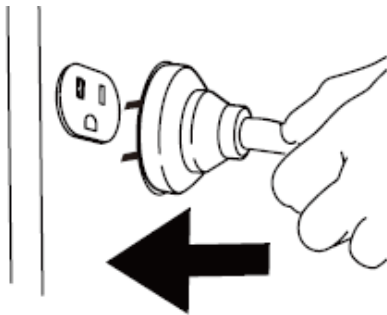


2) Η τιμή απεικόνισης στην οθόνη φαίνεται σαν ακέραιος αριθμός.



3. Σύνδεση με Ηλεκτρικές Συσκευές

Επιθεωρήστε το ηλεκτρικό καλώδιο για τυχόν βλάβες, φθορές πριν το χρησιμοποιήσετε. Υπάρχει κίνδυνος ηλεκτροπληξίας, αν το καλώδιο έχει κτυπηθεί, έχει κοπεί ή έχει υπερθερμανθεί.



Προστασία ρελαί

ΠΡΟΣΟΧΗ Εάν συνδεδεμένες συσκευές υπερθερμανθούν, απενεργοποιήστε τις και αποσυνδέστε τις από την γεννήτρια.

Ικανότητα κάλυψης φορτίων & ταυτόχρονης εκκίνησης

ΚΙΝΔΥΝΟΣ ΗΛΕΚΤΡΟΠΛΗΞΙΑΣ: Προκειμένου να μειωθεί ο κίνδυνος του ηλεκτρικού πλήγματος, ΜΗΝ χρησιμοποιείτε ηλεκτρικά καλώδια τα οποία είναι φθαρμένα, τραυματισμένα, γυμνά ή έχουν υποστεί κατά τον οιοδήποτε τρόπο βλάβη. ΜΗΝ ακουμπάτε γυμνά καλώδια ή υποδοχές ηλεκτρικού ρεύματος (πρίζες). Μην χειρίζεστε την γεννήτρια ή τα ηλεκτρικά καλώδια ενώ βρίσκεστε στο νερό, είστε ξυπόλητοι, ή για όσο χρόνο έχετε πόδια και χέρια βρεγμένα.

1. Αφήστε την μηχανή να σταθεροποιηθεί και προθερμαντέ την για μερικά λεπτά μετά την εκκίνηση.

2. Βεβαιωθείτε ότι οι ηλεκτρικές συσκευές βρίσκονται στην θέση "OFF" και ότι το ρεύμα φόρτισης δεν είναι μεγαλύτερο από το μέγιστο επιτρεπτό μιας υποδοχής (πρίζας).

ΠΡΟΣΟΧΗ: Εάν το ρεύμα ενός μεμονωμένου φορτίου είναι μεγαλύτερο από το μέγιστο επιτρεπτό ρεύμα μιας μεμονωμένης πρίζας, παρακαλούμε συνδέστε το φορτίο με τον ακροδέκτη.

3. Γυρίστε την προστασία αποζεύκτη AC στην θέση "ON"

Βεβαιωθείτε ότι η γεννήτριά σας μπορεί να παρέχει επαρκή ονομαστική ισχύ καθώς και ισχύ εκκίνησης (σε watt) για τις ηλεκτρικές συσκευές τις οποίες θα τροφοδοτήσετε **ταυτόχρονα**. Ακολουθήστε αυτά τα απλά βήματα ώστε να υπολογίσετε τα ονομαστικά (συνεχούς λειτουργίας) watt και τα watt εκκίνησης που απαιτούνται για την προοριζόμενη λειτουργία.

1. Επιλέξτε τις ηλεκτρικές συσκευές που θα τροφοδοτήσετε **ταυτόχρονα**.

2. Η ισχύς που απαιτείται για την λειτουργία όλων αυτών των συσκευών είναι η συνολική ονομαστική ισχύς σε watt των συσκευών αυτών.

3. Προσδιορίστε την ισχύ εκκίνησης (watt) η οποία θα απαιτηθεί. Η ισχύς εκκίνησης που απαιτείται είναι η σύντομη διάρκεια ισχύος εκκίνησης που απαιτείται για την εκκίνηση ηλεκτρικών μηχανοκίνητων εργαλείων ή συσκευών, όπως ένα δισκοπρίονο ή ένα ψυγείο. Καθώς οι κινητήρες δεν εκκινούν όλοι την ίδια στιγμή, η συνολική ισχύς εκκίνησης (watt) μπορεί να εκτιμηθεί προσθέτοντας μόνο την ισχύ εκκίνησης των ηλεκτρικών συσκευών στην οποία αυτή λαμβάνει το μεγαλύτερο μέγεθος (σε Watt).

Πίνακας Αναφοράς Ονομαστικής Ισχύος (διαφόρων ηλεκτρικών συσκευών)		
	Ηλεκτρικός Εξοπλισμός	Ονομαστική Ισχύς (Watt)
Συσκευές	Υπολογιστής Tablet 27"	120
	Λάμπα εξοικ. ενέργειας	5-50
	Ηλεκτρική Κουζίνα	1000
	Επιτραπέζιος Υπολογιστής	400
	Ψυγείο	50
	Πλυντήριο	250
	Ηλεκτρικός Ανεμιστήρας	50
	Κλιματιστικό 2 HP	1600
Ηλεκτρικά Εργαλεία	Ηλεκτρική Μηχ. Συγκόλλησης	1600
	Ηλεκτρικό Σφυρί	1000
	Αντλία Νερού	800

4. Φορτίζοντας μια μπαταρία (εφόσον διατίθεται)

Φορτίζετε την μπαταρία από την πρίζα φόρτισης μπαταριών και διατηρήστε την μπαταρία πλήρως φορτισμένη για χρήση ανά πάσα στιγμή. Φορτίζετε πάντοτε την μπαταρία σε περιβάλλον άνευ υγρασίας.

ΠΡΟΕΙΔΟΠΟΙΗΣΗ: Οι μπαταρίες εκλύουν εκρηκτικό αέριο υδρογόνο κατά την επαναφόρτιση. Ένα εκρηκτικό μείγμα θα παραμείνει περί της μπαταρίας για αρκετό χρονικό διάστημα αφού έχει φορτιστεί. Ο παραμικρός σπινθήρας μπορεί να προκαλέσει ανάφλεξη του υδρογόνου και ακολούθως έκρηξη, η οποία θα μπορούσε να οδηγήσει σε τύφλωση ή άλλον σοβαρό τραυματισμό.

WARNING: Μην επιτρέπετε κάπνισμα, ανοικτή φλόγα, σπινθήρα ή άλλη πηγή θερμότητας περί της μπαταρίας. Φορέστε προστατευτικά γυαλιά, ποδιά και γάντια όταν εργάζεστε με μια μπαταρία. Οι ηλεκτρολύτες στις μπαταρίες είναι ιδιαίτερως καυστικοί και μπορούν να προκαλέσουν σοβαρά εγκαύματα. Εάν λάβει χώρα διαρροή καθαρίστε με καθαρό νερό αμέσως.

Προκειμένου να επαναφορτίσετε τις μπαταρίες προβείτε στις ακόλουθες ενέργειες:

- ελέγξτε το επίπεδο ρευστού σε όλες τις κυψέλες μπαταρίας. Εάν καταστεί απαραίτητο, προσθέστε ΜΟΝΟ αποσταγμένο νερό ώστε να καλύψετε τους διαχωριστήρες στις κυψέλες μπαταρίας.

ΜΗΝ ΧΡΗΣΙΜΟΠΟΙΕΙΤΕ ΝΕΡΟ ΒΡΥΣΗΣ σε καμία περίπτωση.

- εάν η μπαταρία είναι εξοπλισμένη με καλύπτρες αεραγωγών, βεβαιωθείτε ότι είναι εγκατεστημένες
- εάν είναι απαραίτητο, καθαρίστε τους ακροδέκτες μπαταριών.
- συνδέστε το καλώδιο φόρτισης της μπαταρίας με την κόκκινη ένδειξη στον θετικό (+) ακροδέκτη της μπαταρίας.
- συνδέστε το καλώδιο φόρτισης της μπαταρίας με την μαύρη ένδειξη στον αρνητικό (-) ακροδέκτη της μπαταρίας.
- Εκκινήστε την μηχανή. Αφήστε την μηχανή να λειτουργεί ενώ η μπαταρία επαναφορτίζεται.
- Όταν η μπαταρία έχει φορτιστεί, κλείστε την μηχανή.

ΠΡΟΣΟΧΗ: Χρησιμοποιήστε υδρόμετρο αυτοκινήτων ώστε να δοκιμάσετε την κατάσταση μπαταρίας. Ακολουθήστε τις οδηγίες του κατασκευαστή υδρόμετρου προσεκτικά. Γενικά μια μπαταρία θεωρείται ότι έχει φορτιστεί 100% όταν η ειδική βαρύτητα του υγρού της (όπως μετράται από το υδρόμετρό της) είναι 1,260 ή υψηλότερη.

ΚΙΝΔΥΝΟΣ - ΘΑΝΑΤΟΣ

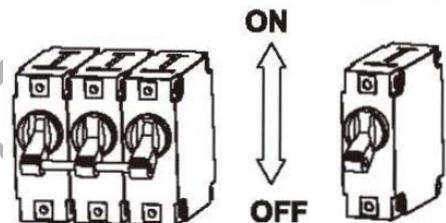
Πρέπει να απομονώσετε την γεννήτρια από το Δίκτυο Διανομής Ηλεκτρικής Ενέργειας ανοίγοντας τον κύριο αποζεύκτη του Δικτύου ή Κεντρικό Διακόπτη **εάν** η γεννήτριά σας χρησιμοποιηθεί ως εφεδρική ισχύς. Παράλειψη απομόνωσης της γεννήτριας από το Δίκτυο Ηλεκτρικής Ενέργειας μπορεί να καταλήξει σε τραυματισμό ή και ΘΑΝΑΤΟ των εργαζομένων του Δικτύου Διανομής αλλά και να καταστρέψει την γεννήτρια λόγω ανάστροφης ροής ισχύος.

ΠΡΟΕΙΔΟΠΟΙΗΣΗ: ΜΗΝ ΥΠΕΡΦΟΡΤΩΝΕΤΕ ΤΗΝ ΓΕΝΝΗΤΡΙΑ

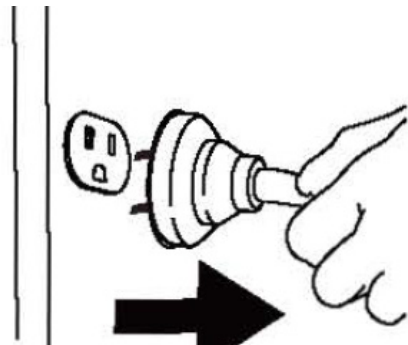
Η υπέρβαση της ικανότητας κάλυψης φορτίου της γεννήτριας μπορεί να καταστρέψει την γεννήτρια ή/και όποια ηλεκτρική συσκευή είναι συνδεδεμένη με αυτή.

5. Διακοπή λειτουργίας

- 5.1. Αφαιρέστε όλα τα φορτία από την γεννήτρια.
- 5.2. Κλείστε τον διακόπτη προστασίας AC.



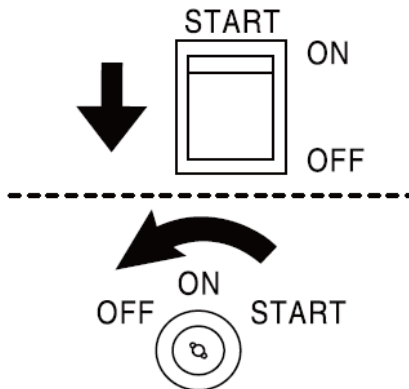
Αφαιρέστε την πρίζα του εξοπλισμού από την γεννήτρια



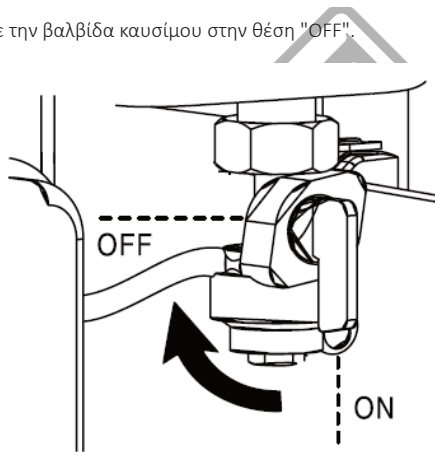
ΠΡΟΕΙΔΟΠΟΙΗΣΗ: ΠΟΤΕ μην διακόπτετε την λειτουργία της μηχανής με ηλεκτρικές συσκευές συνδεδεμένες και με τις συνδεδεμένες συσκευές εν λειτουργία (θέση "ON").

5.3 Αφήστε την γεννήτρια να λειτουργήσει σε μηδενικό φορτίο για λίγα λεπτά ώστε να σταθεροποιηθούν οι εσωτερικές θερμοκρασίες της μηχανής και της γεννήτριας.

5.4 Γυρίστε τον διακόπτη μηχανής στην θέση "OFF".



5.5 Γυρίστε την βαλβίδα καυσίμου στην θέση "OFF".



IV. Συντήρηση

Είναι υποχρέωση του χειριστή να ακολουθεί την προγραμματισμένη συντήρηση με συνέπεια. Διορθώστε κάθε πρόβλημα πριν λειτουργήσετε την γεννήτρια. Πάντοτε να ακολουθείτε τις συστάσεις επιθεώρησης και συντήρησης και τα προγράμματα σε αυτό το εγχειρίδιο χρήσης. Πριν το σέρβις στην γεννήτρια, διακόψτε την λειτουργία της, αποσυνδέστε όλες τις ηλεκτρικές συσκευές και την μπαταρία (εφόσον διατίθεται) και αφήστε την

ΚΙΝΔΥΝΟΣ: Ακούσιες εκκινήσεις μπορούν να προκαλέσουν σοβαρό τραυματισμό ή ΘΑΝΑΤΟ. Αφαιρέστε και γειώστε το καλώδιο ανάφλεξης.

ΠΡΟΕΙΔΟΠΟΙΗΣΗ: Ακατάλληλη συντήρηση ή αποτυχία διόρθωσης τεχνικού προβλήματος προ της λειτουργίας μπορεί να προκαλέσει δυσλειτουργία και να καταλήξει σε ζημία ιδιοκτησίας, σοβαρό τραυματισμό ή ΘΑΝΑΤΟ. Μη ενδεδειγμένη μέθοδος συντήρησης θα ακυρώσει την εγγύηση.

ΠΡΟΣΟΧΗ: Το στοιχείο φίλτρου μπορεί να περιέχει βλαβερές ουσίες. Φορέστε προστατευτικά γάντια κατά την συντήρηση του φίλτρου αέρα.

1. Πρόγραμμα Συντήρησης

Προβείτε σε συντήρηση της γεννήτριας περισσότερο συχνά όταν εργάζεται υπό αντίξοες συνθήκες. Επικοινωνήστε με το προμηθευτή σας για περισσότερο λεπτομερείς ανάγκες συντήρησης της μηχανής ή της γεννήτριάς σας.

2. Συντήρηση Γεννήτριας

Βεβαιωθείτε ότι η γεννήτρια είναι καθαρή και αποθηκεύεται καταλλήλως. Χρησιμοποιήστε ένα πανάκι για να καθαρίσετε τις εξωτερικές επιφάνειες τις γεννήτριας. Χρησιμοποιήστε συμπιεσμένο αέρα (25 PSI) ώστε να καθαρίσετε ακαθαρσίες και υπολείμματα από την γεννήτριας.

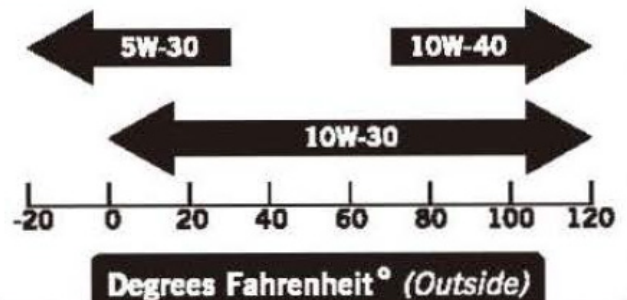
ΠΡΟΕΙΔΟΠΟΙΗΣΗ: ΜΗΝ χρησιμοποιείτε νερό για να καθαρίσετε την γεννήτρια. Μπορεί να εισχωρήσει στις σχισμές εξαιρισμού και να καταστρέψει τα τυλίγματα.

ΠΡΟΕΙΔΟΠΟΙΗΣΗ : Μην μετατρέπετε την γεννήτρια με κανέναν τρόπο. Οι γεννήτριες προμηθεύονται με την ενδεδειγμένη ονομαστική συχνότητα και τάση λειτουργίας. Οποιαδήποτε επέμβαση στον ρυθμιστή (governor) θα ακυρώσει την εγγύηση.

3. Συντήρηση της Μηχανής

Λάδι μηχανής

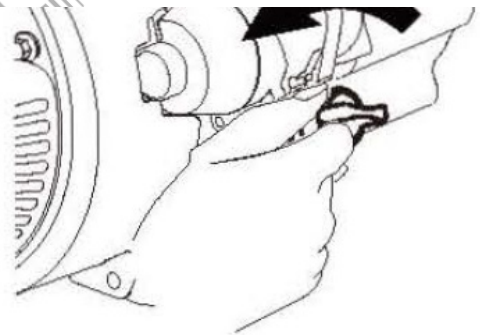
Το SAE 10W-30 συνιστάται για χρήση σε κάθε θερμοκρασία. Μπορούν να χρησιμοποιηθούν έλαια και με άλλα ιξώδη όπως φαίνεται στον πίνακα αναλόγως της θερμοκρασίας στην περιοχή σας.



Θερμοκρασία Περιβάλλοντος (Fahrenheit)

Προσθέστε λάδι

1. Τοποθετήστε την μηχανή σε επίπεδη επιφάνεια.
2. Αφαιρέστε τον δείκτη στάθμης λαδιού.



3. Προσθέστε το συνιστώμενο λάδι έως το ανώτερο όριο.

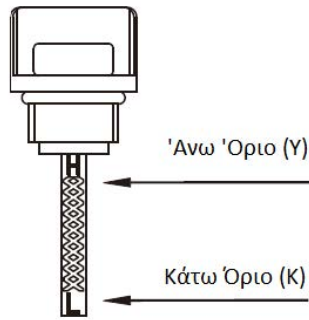
		Κάθε φορά πριν την χρήση	10 ώρες ή τον πρώτο μήνα ¹	50 ώρες ή κάθε τρεις μήνες ²	100 ώρες ή κάθε έξι μήνες ²	300 ώρες or κάθε χρόνο ²
Λάδι Μηχανής	Επιθεώρηση	✓				
	Αντικατάσταση		✓		✓	
Φίλτρο Αέρα	Επιθεώρηση	✓				
	Καθαρισμός			✓ ³		
Μπουζί	Επιθεώρηση & Προσαρμογή				✓	
	Αντικατάσταση					✓
Φλογοπαγίδα ¹	Καθαρισμός				✓	
Ρελαντί	Επιθεώρηση και Προσαρμογή					✓ ⁴
διάκενο βαλβίδας	Επιθεώρηση και Προσαρμογή					✓ ⁴
Κάνιστρο ενεργού άνθρακα ¹	Επιθεώρηση					Κάθε δύο χρόνια ⁴
Χαμηλής διαπερατότητας σωλήνας λαδιού	Επιθεώρηση					Κάθε δύο χρόνια ⁴
Σωλήνας λαδιού	Επιθεώρηση					Κάθε δύο χρόνια ⁴

Σημείωση 1: Σε εφαρμοζόμενους τύπους (εφόσον διατίθεται).

Σημείωση 2: Πριν από κάθε σαιζόν και μετά από αυτή (ό,τι προηγηθεί).

Σημείωση 3: Service περισσότερο συχνά υπό δύσκολες, με σκόνη και ακαθαρσίες σύνθηκες.

Σημείωση 4: Χειρισμός από γνώστες, έμπειρους ιδιοκτήτες ή εξουσιοδοτημένο προμηθευτή.



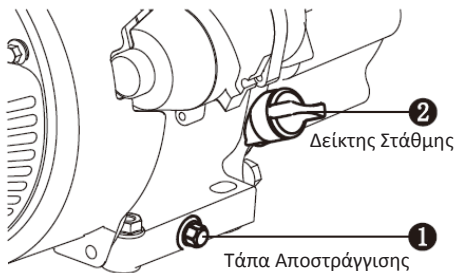
ΠΡΟΣΟΧΗ: Έλεγχος στάθμης λαδιού επανατοποθετήστε τον δείκτη στην οπή, αφήνοντάς τον να ακουμπήσει στην πάνω επιφάνεια της οπής χωρίς όμως να τον βιδώσετε.

4. Συσφίξτε τον δείκτη στάθμης.
5. Απορρίψτε το χρησιμοποιημένο λάδι σε εγκεκριμένη εγκατάσταση διαχείρισης αποβλήτων του τύπου αυτού.

Αλλάξτε τα λάδια:

ΠΡΟΣΟΧΗ: Αλλάξτε το λάδι όταν η μηχανή είναι ακόμη ζεστή λόγω λειτουργίας.

1. Τοποθετήστε την μηχανή σε επίπεδη επιφάνεια.
2. Καθαρίστε την περιοχή γύρω από τον δείκτη στάθμης λαδιού και την τάπα αποστράγγισης (1).
3. Αφαιρέστε τον δείκτη στάθμης λαδιού (2).

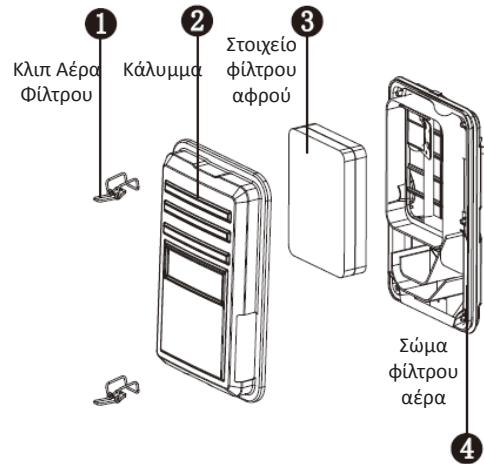


4. Αφαιρέστε την τάπα αποστράγγισης και αφήστε το λάδι να αποστραγγιστεί εντελώς.
5. Συσφίξτε την τάπα αποστράγγισης.
6. Προσθέστε το συνιστώμενο λάδι έως το ανώτερο όριο. (δείτε τις ως άνω οδηγίες προσθήκης λαδιού).
7. Επανεγκαταστήστε και συσφίξτε πλήρως τον δείκτη στάθμη λαδιού.
8. Απορρίψτε το λάδι καταλλήλως.

ΠΡΟΕΙΔΟΠΟΙΗΣΗ: Η μηχανή δεν είναι πεπληρωμένη με λάδι από το εργοστάσιο. Λειτουργία πριν την πλήρωση με λάδι του κατάλληλου τύπου και ποσότητας μπορεί να καταλήξει σε καταστροφή της μηχανής και ακύρωσης της εγγύησής σας.

Φίλτρο αέρα

1. Χαλαρώστε το κλιπ φίλτρου αέρα και αφαιρέστε το κάλυμμά του φίλτρου.
2. Αφαιρέστε το στοιχείο φίλτρου αφρού.
3. Καθαρίστε σε υγρό απορρυπαντικό και ζεστό νερό.
4. Στεγνώστε το πλήρως σε καθαρό πανί.
5. Περάστε το από καθαρό λάδι μηχανής.
6. Χρησιμοποιήστε πανί ώστε να φύγει κάθε ίχνος περιττού λαδιού.
7. Τοποθετήστε το φίλτρο.
8. Εγκαταστήστε το κάλυμμα φίλτρου αέρα και σταθεροποιήστε το.

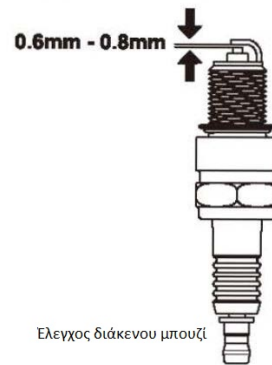


ΠΡΟΕΙΔΟΠΟΙΗΣΗ: Μην λειτουργείτε την μηχανή χωρίς φίλτρο αέρα. Άκρως επικίνδυνο.

Μπουζί

1. Καθαρίστε την βάση και το καπάκι του μπουζί από ακαθαρσίες.
2. Αφαιρέστε το καπάκι μπουζί.
3. Αποσφίξτε και αφαιρέστε το μπουζί.
4. Επιθεωρήστε το μπουζί και την ροδέλα του, αν έχει καταστραφεί ή φθαρεί αντικαταστήστε με νέο. Καθαρίστε το μπουζί με συρματόβουρτσα αν το χρησιμοποιήσετε εκ νέου.
5. Ελέγξτε το διάκενο του μπουζί. Λυγίστε προσεκτικά το πλάγιο ηλεκτρόδιο ώστε να ρυθμίσετε το διάκενο του μπουζί.

Διάκενο μπουζί: 0,6 mm - 0,8 mm



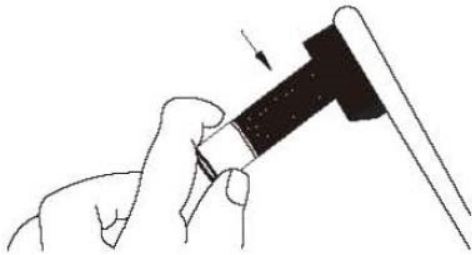
Έλεγχος διακένου μπουζί

6. Βιδώστε **δια χειρός** το μπουζί στην μηχανή.
7. Αφού στερεωθεί το μπουζί, προχωρήστε σε σύσφιξη με το κατάλληλο κλειδί εντός των ορίων : **15 - 20 N.m**
8. Προσαρμόστε το καλώδιο του μπουζί στο μπουζί

ΠΡΟΕΙΔΟΠΟΙΗΣΗ: Χρησιμοποιείτε μόνο το συνιστώμενο μπουζί ή ισοδύναμο. Μην χρησιμοποιείτε μπουζί με ακατάλληλο θερμοκρασιακό εύρος.

Φλογοπαγίδα (εάν διατίθεται)

1. Αφήστε την μηχανή να κρυώσει εντελώς πριν οποιοδήποτε service στην φλογοπαγίδα.
2. Αφαιρέστε τις δύο βίδες που συγκρατούν το κάλυμμα που συγκράτει το άκρο της φλογοπαγίδας στην εξάτμιση.
3. Αφαιρέστε το πλέγμα φλογοπαγίδας.
4. Προσεκτικά αφαιρέστε τις εναποθέσεις άνθρακα από το πλέγμα τις φλογοπαγίδας με μια συρματοβούρτσα.



Καθαρίστε τις εναποθέσεις άνθρακα

5. Αντικαταστήστε την φλογοπαγίδα εάν έχει καταστραφεί.
6. Επανεγκαταστήστε την φλογοπαγίδα στην εξάτμιση και προσαρμόστε δύο βίδες σε αυτή.

Ταχύτητα Η ταχύτητα περιστροφής έχει προκαθοριστεί στο εργοστάσιο. Σπάνια θα απαιτηθεί διόρθωση/προσαρμογή. Συμβουλευτείτε τον προμηθευτή σας.

ΠΡΟΕΙΔΟΠΟΙΗΣΗ Μη εγκεκριμένη διόρθωση/προσαρμογή θα καταστρέψει μηχανή - ηλεκτρικές συσκευές και θα ακυρώσει την εγγύηση.

ΠΡΟΕΙΔΟΠΟΙΗΣΗ Μη εξουσιοδοτημένη επέμβαση στον εργοστασιακά ρυθμισμένο ρυθμιστή στροφών θα καταστρέψει την γεννήτριά σας και θα ακυρώσει την εγγύηση.

V. Αποθήκευση και Μεταφορά

Αποθήκευση

Το ηλεκτροπαραγωγό ζεύγος θα πρέπει να λειτουργεί τουλάχιστον κάθε δύο εβδομάδες για τουλάχιστον 20 λεπτά. Ακολουθήστε τις κάτωθι οδηγίες σε ό,τι αφορά την αποθήκευση μεγαλύτερης διάρκειας εάν το H/Z πρόκειται να μείνει εκτός λειτουργίας για 2 μήνες ή περισσότερα.

ΚΙΝΔΥΝΟΣ ΦΩΤΙΑΣ Ή ΕΚΡΗΞΗΣ Η βενζίνη είναι άκρως εύφλεκτη και εξαιρετικά εκρηκτική. Αδειάστε την δεξαμενή καυσίμου και κλείστε την βαλβίδα καυσίμου πριν την αποθήκευση ή την μεταφορά του H/Z.

1. Αφήστε το H/Z (γεννήτρια) να κρυώσει πλήρως.
2. Καθαρίστε το H/Z σύμφωνα με τις οδηγίες στο κεφάλαιο της συντήρησης.
3. Στραγγίστε όλο το καύσιμο από τον εύκαμπτο σωλήνα καυσίμου και το καρμπυρατέρ ώστε να μην σχηματίζονται κολλώδη υπολείμματα καυσίμου.
4. Κλείστε την παροχή καυσίμου στην βαλβίδα καυσίμου.
5. Αλλάξτε το λάδι.
6. Επαναποθετήστε το μπουζί.

7. Αφαιρέστε το μπουζί και συμπληρώστε περίπου με 15 ml λαδιού στον κύλινδρο. Περιστρέψτε την μηχανή αργά ώστε να διανεμηθεί το λάδι και να λιπανθεί ο κύλινδρος.

8. Αποθηκεύστε την μονάδα, σε μια ξηρή περιοχή μακριά από φως. Προκειμένου να αποφύγετε την διαρροή καυσίμου κατά την μεταφορά ή στο προσωρινό στάδιο αποθήκευσης, το ηλεκτροπαραγωγό ζεύγος (H/Z) θα πρέπει να είναι σε όρθια θέση στην κανονική θέση λειτουργίας του με τον διακόπτη της μηχανής στο OFF. Ο διακόπτης βαλβίδας καυσίμου θα πρέπει να είναι στην θέση "OFF".

ΠΡΟΕΙΔΟΠΟΙΗΣΗ: Μη γεμίζετε πέραν του ορίου την δεξαμενή. Μη λειτουργείτε το ηλεκτροπαραγωγό ζεύγος όταν βρίσκεται επί οχήματος. Κατεβάστε το ηλεκτροπαραγωγό ζεύγος (γεννήτρια) από το όχημα και χρησιμοποιήστε το σε μια καλά αεριζόμενη περιοχή. Εάν το ηλεκτροπαραγωγό ζεύγος αφεθεί σε ένα περικλειστό όχημα για πολλές ώρες, η υψηλή θερμοκρασία εντός του οχήματος θα μπορούσε να προκαλέσει εξάτμιση του καυσίμου με ενδεχόμενη συνεπακόλουθη έκρηξη. Μη οδηγείτε σε ανώμαλο δρόμο για εκτεταμένη περίοδο με το ηλεκτροπαραγωγό ζεύγος επί του οχήματος. Εάν πρόκειται να μεταφέρεται το ηλεκτροπαραγωγό ζεύγος σε ανώμαλο δρόμο, αποστραγγίστε το καύσιμο από το H/Z εκ των προτέρων.

VI. Επίλυση Αναδυόμενων Προβλημάτων

Πρόβλημα	Αιτίες	Επίλυση Προβλήματος
Η μηχανή δεν εκκινεί.	Ο διακόπτης της μηχανής στο "OFF".	Γυρίστε τον διακόπτη της μηχανής στην θέση "ON".
	Δεν υπάρχει καύσιμο.	Γεμίστε την δεξαμενή σύμφωνα με τις οδηγίες του εγχειριδίου αυτού.
	Ανεπαρκές λάδι μηχανής.	Ελέγξτε το επίπεδο λαδιού. Η μηχανή αυτή είναι εξοπλισμένη με έναν αισθητήρα ένδειξης χαμηλού λαδιού. Η μηχανή δεν μπορεί να εκκινήσει εκτός και αν το επίπεδο του λαδιού βρίσκεται πάνω από το προκαθορισμένο όριο.
	Καμία ανάφλεξη.	Αφαιρέστε το καπάκι του μπουζί. Καθαρίστε την μηχανή από κάθε ακαθαρσία γύρω από την βάση του μπουζί. Αν δεν εκκινήσει η μηχανή αφαιρέστε το μπουζί. Τοποθετήστε το μπουζί και γυρίστε τον διακόπτη της μηχανής στην θέση "ON". Γεώνοντας το ηλεκτρόδιο τραβήξτε το σχοινί εκκίνησης για να δείτε εάν υπάρχει σπινθήρας. Εάν δεν υπάρχει έναυση εξετάστε το διάκενο. Εάν δεν υπάρχει σπινθήρας, αντικαταστήστε το μπουζί. Επανατοποθετήστε το μπουζί και εκκινήστε την μηχανή σύμφωνα με τις οδηγίες του εγχειριδίου αυτού. Συμβουλευτείτε τον προμηθευτή σας αν αντιμετωπίζετε περαιτέρω προβλήματα.
Η γεννήτρια δεν παράγει ρεύμα.	Καμία ανάφλεξη.	Επαναρυθμίστε τους αυτόματους διακόπτες.
	Ανεπαρκή καλώδια, επεκτάσεις καλωδίων.	Ελέγξτε τα σεντ καλωδίων ή τις δυνατότητες επέκτασης καλωδίων στο εδάφιο περί μεγέθους καλωδίων στο manual αυτό. Συμβουλευτείτε τον προμηθευτή σας.

*Ο κατασκευαστής διατηρεί το δικαίωμα να πραγματοποιήσει δευτερεύουσες αλλαγές στο σχεδιασμό του προϊόντος και στα τεχνικά χαρακτηριστικά χωρίς προηγούμενη ειδοποίηση, εκτός εάν οι αλλαγές αυτές επηρεάζουν σημαντικά την απόδοση και λειτουργία ασφάλειας των προϊόντων. Τα εξαρτήματα που περιγράφονται / απεικονίζονται στις σελίδες του εγχειριδίου που κρατάτε στα χέρια σας ενδέχεται να αφορούν και σε άλλα μοντέλα της σειράς προϊόντων του κατασκευαστή, με παρόμοια χαρακτηριστικά, και ενδέχεται να μην περιλαμβάνονται στο προϊόν που μόλις αποκτήσατε.

* Λάβετε υπόψη ότι ο εξοπλισμός μας δεν έχει σχεδιαστεί για χρήση σε εμπορικές, επαγγελματικές ή βιομηχανικές εφαρμογές. Η εγγύησή μας θα ακυρωθεί αν το προϊόν χρησιμοποιείται σε εμπορικές, επαγγελματικές ή βιομηχανικές επιχειρήσεις ή για ανάλογους σκοπούς.

* Για να διασφαλιστεί η ασφάλεια και η αξιοπιστία του προϊόντος καθώς και η ισχύς της εγγύησης όλες οι εργασίες επιδιόρθωσης, ελέγχου, επισκευής ή αντικατάστασης συμπεριλαμβανομένης της συντήρησης και των ειδικών ρυθμίσεων, πρέπει να εκτελούνται μόνο από τεχνικούς του εξουσιοδοτημένου τμήματος Service του κατασκευαστή.

* Χρησιμοποιείτε πάντα το προϊόν με τον παρεχόμενο εξοπλισμό. Η λειτουργία του προϊόντος με μη-προβλεπόμενο εξοπλισμό ενδέχεται να προκαλέσει βλάβη ή ακόμα και σοβαρό τραυματισμό ή θάνατο. Ο κατασκευαστής και ο εισαγωγέας ουδεμία ευθύνη φέρει για τραυματισμούς και βλάβες που προκύπτουν από την χρήση μη προβλεπόμενου εξοπλισμού.

