

BORMANN®

ELEMENT



BBQ2000 BBQ3000 BBQ3100 BBQ4100

015390

015406

015413

019114



WARNING
IMPORTANT NOTICE

1. For safe and proper operation, use only LPG cylinders intended for domestic use which are equipped with a safety valve. Also, you should connect the low pressure regulator 30mbar (not adjustable) with the valve of the bottle and the special hose for LPG appliances taking care that no leak or damage to the circuit occurs.
2. The threads of the pressure regulator are counterclockwise.
3. Never and under no circumstances should you leave the grill unattended.
4. If a lot of flames are created that do not extinguish by themselves, close the gas bottle. If you let the fire burn then there is a possibility that the paint of the grill will burn. Before each warm-up you should have cleaned the fat collector, the heat dissipators (flame tamers) and the rest of the grill from fats, as they can ignite and destroy the grill.
5. Heat dissipators (flame tamers) must be cleaned after each use as well as the fat collection pan by immersing in hot water with dishwashing liquid. Do not scrape surfaces when they have glued fats because their paint breaks down.
6. In the case of extensive creation of flames caused from fats in the heat dissipators (flame tubes) deterioration in porcelain dye might occur.
7. If the model you purchased has cast-off grills, do not pour cold water when it is still hot as it may break.
8. Do not use caustic liquids or cleaning sprays.
9. Read the instructions carefully!
10. Any damage caused by non-compliance with the above or failure to comply with the necessary regular cleaning will not be covered by the warranty.

ΠΡΟΣΟΧΗ
ΣΗΜΑΝΤΙΚΗ ΣΗΜΕΙΩΣΗ

1. Για ασφαλή και ορθή λειτουργία χρησιμοποιείτε μόνο φιάλες υγραερίου που προορίζονται για οικιακή χρήση και οι οποίες είναι εξοπλισμένες με βαλβίδα ασφαλείας. Επίσης, στην βάνα της φιάλης θα πρέπει να συνδέσετε τον ρυθμιστή χαμηλής πίεσης 30mbar (όχι ρυθμιζόμενο) και το ειδικό λάστιχο για συσκευές υγραερίου προσέχοντας να μην υπάρχουν διαρροές ή φθορές στο κύκλωμα.
2. Τα σπειρώματα του ρυθμιστή πίεσης είναι αριστερόστροφα.
3. Ποτέ και σε καμία περίπτωση να μην αφήνετε την ψησταριά χωρίς επίβλεψη.
4. Σε περίπτωση που δημιουργηθούν πολλές φλόγες που δεν σβήνουν θα πρέπει να κλείσετε την βάνα της φιάλης υγραερίου. Αν αφήσετε την φωτιά να καίει τότε υπάρχει ενδεχόμενο να καεί η βαφή της ψησταριάς. Επίσης θα πρέπει πριν από κάθε προθέρμανση να έχετε καθαρίσει τον συλλέκτη λίπους, τους διαχύτες θερμότητας (φλογοκρύπτες) και την υπόλοιπη ψησταριά από λίπη, καθώς μπορεί να αναφλεγούν και να καταστρέψουν την ψησταριά.
5. Οι διαχύτες θερμότητας (φλογοκρύπτες) πρέπει να καθαρίζονται μετά από κάθε χρήση καθώς και το ταψί συλλογής λίπους βυθίζοντας σε ζεστό νερό με υγρό πιάτων. Μην ξύνετε τις επιφάνειες όταν έχουν κολλημένα λίπη γιατί χαλάει η βαφή τους.
6. Σε περίπτωση εκτεταμένης φλόγας από λίπη στους διαχύτες θερμότητας (φλογοκρύπτες) μπορεί να προκληθεί αλλοίωση στην βαφή πορσελάνης.
7. Σε περίπτωση που το μοντέλο που αγοράσατε διαθέτει σχάρες από μαντέμι, μην ρίξετε κρύο νερό όταν είναι ακόμα ζεστές καθώς μπορεί να σπάσουν.
8. Μην χρησιμοποιείτε καυστικά υγρά ή σπρέι καθαρισμού.
9. Διαβάστε προσεκτικά τις οδηγίες χρήσης!
10. Τυχόν βλάβες από μη τήρηση των ανωτέρω ή μη τήρηση του απαραίτητου τακτικού καθαρισμού δεν καλύπτονται από την εγγύηση του κατασκευαστή.

Safety Instructions

Please save this instruction manual for future reference!
THIS GAS GRILL IS DESIGNED FOR OUTDOOR USE ONLY!

WARNING: FOR A SAFE AND PROPER OPERATION MAKE SURE TO CONNECT A ONE-WAY PRESSURE REGULATOR (NOT INCLUDED).

Important:

READ ALL INSTRUCTIONS AND OPERATIONS BEFORE OPERATING THIS UNIT. FOLLOW ALL STEPS IN ORDER. NEVER ALLOW CHILDREN TO OPERATE THIS UNIT.

Warnings:

Use outdoors only.
 Read the instructions before using the appliance.
 Accessible parts maybe very hot, keep young children away.
 Do not move the appliance during use.
 Turn off the gas supply at the gas cylinder after use.
 Any modification of the appliance may be dangerous.
 Parts sealed by the manufacturer or his agent must not be altered by the user. Do not modify the appliance

Attention:

Some parts of this appliance become very hot, take special care when children or elderly are present.

For your safety:

Do not store or use gasoline or methylated fuels or any other flammable vapors and liquids in the vicinity of this or any other appliance.
 Never light a gas grill with gasoline or comparable fluids!
 Suggestion: user should not change the assembly that the manufacturer packaged.

Certain Liquid gas dealers may fill liquid gas cylinders for use in the grill beyond cylinder filling capacity. This "Overfilling" may create a dangerous condition. "Overfilling" tanks can build up excess pressure. As a safety device, the tanks pressure relief valve will vent gas vapour to relieve this excess pressure. This vapour is combustible and therefore can be ignited. To reduce this danger, you should take the following safety precautions:

- A. When you have your tank filled, be sure you tell the supplier to fill it to no more than 80% of its total capacity.
- B. If you own or use an extra spare tank, or have a disconnected tank, you should never store it near or under the grill unit or heat box, or near any other ignition or heat source.

Dangers:

If you smell gas:

1. Shut off gas to the appliance
2. Extinguish any open flame
3. Open lid
4. If odour continues, keep away from appliance and call your local fire department.

Technical Data				
	BBQ4100	BBQ3100	BBQ3000	BBQ2000
Basic Characteristic	4 +1 burner gas grill	3+1 burner gas grill	3 burner gas grill (without side burner)	2 burner gas grill (without side burner)
Dimensions	L129xW57xH110 cm	L122xW57xH110 cm	L120xW57xH102 cm	L106xW57xH102 cm
Grill surface	L69x W45 cm	L60xW45 cm	L60xW45 cm	L45xW45 cm
Grid	Cast iron with enamel coating			Cast iron
Burner and Power	Stainless steel tube burners, 3,6 kW per burner, 2,7 kW per side burner, total 17,1 kW	Stainless steel tube burners, 3,6 kW per burner, 2,7 kW per side burner, total 13,5 kW	Stainless steel tube burners, 3,6 kW per burner, Total 10,8 kW	Stainless steel tube burners, 3,6 kW per burner, total 7,2 kW
Specific characteristics	2 side metallic shelves, with wheels, INOX thermometer, autoignition switches, removable grease collector, metallic front shelf cover panel (BBQ3000), 2 metallic front doors (BBQ3100, BBQ4100)			
Regulator and hose	not included			

Remark: -SB means with side burner; Allow to put a pan on the side burner. (The diameter of pan is Max. Φ 24cm and Min. \times Φ 8cm)

Mounting steps

Make sure your grill is assembled properly. Detailed assembly instructions are packed with each grill giving specific assembly procedures for each model. Follow these instructions carefully to ensure the correct and safe assembly of the grill.

Caution: Although we take every effort to ensure that the assembly process is as easy as possible, it is inherent with fabricated steel parts that corners and edged can cause cuts if improperly handled during assembly procedures. Be careful while handling any parts during assembly. It is strongly recommended that you protect hands with a pair of work gloves.

Preparation

You will need LPG gas bottle and proper regulators under the gas pressure to operate this gas grill. The regulators should be comply with EN16129 with current version and national regulation.

See point 6 for farther instructions.

Energy saving tips:

- Reduce the opening time of the lid.
- Turn the grill off as soon as cooking is completed.
- Preheat the gas grill for 10 to 15 minutes only. (Except for the first use)
- Do not preheat longer then recommended.
- Do not use a higher setting than required.
- Connect the hose and regulator to the gas container at the left side of the gas grill .Keeping in mind that the gas container must be kept away from heat and in a safe position .The hose dimension is 8-10mm diameter. The Length of hose recommended which shall not exceed 1.5m. The flexible hose should comply with relevant standard and local code.

Installation

After purchasing your gas cylinder you will then be ready to set it up with your gas grill.

- When changing the gas cylinder, it shall be carried out away from any source of ignition. Position the gas cylinder at left side of your gas grill, should not be placed inside BBQ, keeping in mind that the bottle must be kept away from heat and in a safe position.
- When ready to use your gas grill insert the regulator into the gas bottle valve and tighten firmly.

Warning: Before attempting to light your gas grill you must refer to your lighting instructions and warning / safety points.

Check the hose before each use, searching for cracking, cuts or any abrasions. If the hose is found to be faulty in any way do not attempt to use your gas grill. When changing your gas bottle ensures that there are no sources of ignition close by i.e. fires, cigarettes, naked flames etc. Make sure that the appliance is switched off.

Ensure that the hose is not subjected to twisting which will affect the gas flow when installing your gas grill. Also the hose must not have undue tension and must not touch any part of the gas grill which may be hot.

- Please choose flexible hose whose heatproof higher than 80 °C.
- Flexible tube should be changed every 2 years. It's necessary to change the flexible tube when the national conditions require it.

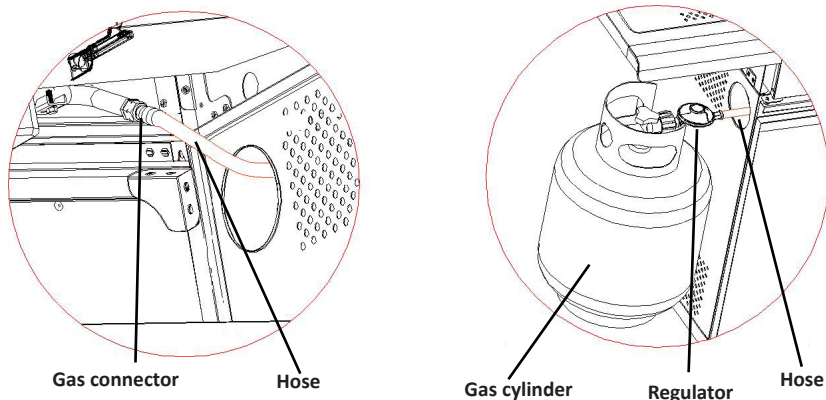
How to change your cylinder

Note: Turn off the switch of cylinder (No spanner is required)

The height of the gas cylinder is below the 80cm, and the width is within 35cm

How to connect a gas bottle

- Turn the orange cap so that the arrow is pointing to the gap in the shroud.
- Remove the orange safety cap by pulling the lanyard out, then out. Do not use tools. Leave the cap hanging.
- Check that the black sealing washer is fitted inside the cylinder valve. Connect the regulator to the valve.
- Turn the switch clockwise on gas bottle-then turn on the gas grill as instructed.



*For the product without gas cylinder compartment only.

Warning: Always test gas line for leaks at connector with soap water finishing all connections.

How to disconnect a gas bottle

- Except for twin-cylinder installations with a changeover valve, turn off the gas tap if fitted to the appliance. Wait until the burner and pilot light have gone out. For installations with a changeover valve, it is only necessary to switch off the empty cylinder.
- Replace the orange safety cap onto the empty cylinder.

Warning and safety points

Please read the following points before using your gas grill:

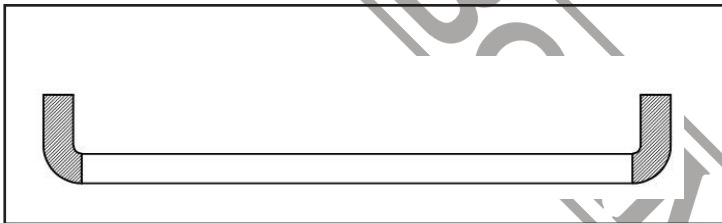
- Read the instructions before using the appliance. If instructions are not followed it may cause problems in use.
- This gas grill accessible parts maybe very hot when being used. Keep young children away. Use protective when handling particularly hot components.
- In the event of a gas leak, Turn off the gas supply at the gas bottle, extinguish any open flames, open lid and if leak continues, check for damages, poor connections etc. Contact your local gas dealer immediately if the problem can't be solved.
- Do not move Gas grill during use.
- Do not use or store any liquids, vapours or other materials in the vicinity when operating the gas grill.
- This gas grill only to be used outdoors.
- Do not use a naked flame to check for gas leaks.
- Do not operate gas grill if there is a gas leak. Turn off the gas supply.
- Do not attempt to disconnect any gas fitting part if your gas grill is being used, on the gas grill or the gas regulator / bottle.
- Care is advised when operating your gas grill, you should never leave unattended when in use. Turn off the gas supply at the gas container after use.
- The gas grill should be cleaned after use. Don't obstruct the fire opening of the container compartment. If the fire opening is obstructed, please use $\Phi 1.6\text{mm}$ round stick to dredge.

Take care not to enlarge burner ports or orifice/nozzle openings when cleaning the burner or valves.

l) Do not attempt to use this appliance in a garage or any enclosed area. Also this appliance must be keep away from flammable materials during use, etc. We recommend keeping a distance of at least 0.5 to 1.0 meter clear of any flammable materials.

m) We would recommend that this gas grill should be serviced by your local gas retail outlet at least once a year by a competent engineer. Do not attempt to service this appliance yourself.

n) Any modification of the appliance may be dangerous. Do not attempt any unauthorized interference of the main controls on this gas grill, i.e. gas taps, injectors, valves etc.



WARNING: The Handle Black Area (See Above Picture for Reference) Will Become Hot When the Gas grill In Use, BE CAREFUL! Do Not Touch The Black Area.

Safety precautions

- Always test gas line for leaks at connector with soapy water after making connections.
- The top lid must always be open when lighting the burner.
- Use oven gloves and sturdy, long handled gas grill tools when cooking on the grill.
- Be prepared if an accident or fire should occur. Know where the first aid kit and fire extinguishers are and know how to use them.
- Keep any electrical supply cord and the fuel supply hose away from any heated surfaces.
- Always cook with great care.
- Do not heat any unopened glass or metal container of food on the grill. Pressure may build up and cause the container to burst, possibly resulting in serious personal injury or damage to the grill.

Operating instructions

Caution: The lid must be open when lighting the burner!

Do not stand with your face directly over the gas grill when lighting it.

Your gas grill will have following method of ignition:

Pilot Gas Control Ignition (Main burner or main burner with side burner): With all gas controls on the Gas grill in the "OFF" position "OFF", turn the gas cylinder valve to the on position at the regulator. To create a spark you must press the control knob (A) and hold in this position for 3-5 seconds to allow gas flow and then turn anticlockwise to "HIGH" (B). It can spark to the burner lighting tube (C). You will hear a "snap" from the igniter and you will also see a orange flame coming from the burner lighting tube at the left side of the burner (D).

Continue to hold the burner control knob in for two seconds after the "snap", this will allow gas to flow completely down the burner tube (E) and insure ignition.

When the burner is alight, adjacent burners will cross light when their controls are turned to "HIGH"

At "High" setting the burner flame should be approximately 12-20mm long with a minimum of orange flame. Turn the gas control fully anticlockwise for minimum setting.

Should you have any difficulty lighting your gas grill following the above steps, contact your dealer for advice.

If the automatic ignition can't be used, please remove the cooking grill and heat diffuser(hotplate), and turn the valve anticlockwise to 90° to light with BBQ lighter in the distance of 5mm to the burner fire hole. Replace the cooking grill and heat diffuser (hotplate), please wear the fireproof and heat resisting gloves.

Warning : If the burner still does not light ,turn the burner control knob to" OFF" and wait 5 minutes to let the gas clear before lighting again.

Storage

Your Gas Bottle must be stored outdoors in a well ventilated area and must be disconnected from your gas grill when not being used. Ensure that you are outdoors and away from any sources of ignition before attempting to disconnect your gas bottle from your gas grill. When you are using your gas grill after a period of storage, please ensure to check for gas leaks and check for any obstructions in the burner etc. before using. Also follow the cleaning instructions to ensure gas grill is safe. If gas grill is stored outdoors ensure to check that all areas under the front panel are free from any obstructions (insects etc.) This area must be kept free as this may affect the flow of combustion or ventilation air.

Cleaning instructions

Maintenance is recommended that every 90 days for your gas grill, but it is absolutely necessary to perform maintenance at least once a year. By doing so, you will extend the life of your gas grill.

Your gas grill is easy to clean with minimum effort, just follow these helpful hints for cleaning convenience.

Troubleshooting		
Emergencies	Possible cause	Prevention/ Solution
Gas leaking from cracked / cut / burned hose.	Damaged hose.	Turn off gas at LP tank, if hoses is cut or cracked, replace hose. See LP tank lead test and connection regulator to the LP.
Gas leaking from LP tank valve.	Mechanical failure due to resting or mishandling.	Turn off LP tank valve.
Gas leaking from LP tank valve.	Failure of tank valve from mishandling or mechanical failure	Turn off LP tank valve. Return LP tank to gas supplier
Gas leaking between LP tank and regulator connection	Improper installation, connection not tight, failure of rubber seal	Turn off LP tank valve, remove regulator from cylinder and visually inspect rubber seal for damage, see LP tank test and connection regulator to the LP tank
Fire coming through control panel	Fire in burner tube section of burner due to partial blockage	Turn off control knobs and LP tank valve. After fire is out and grill is cold, remove burner and inspect for spider nests or rust see natural hazard and cleaning the burner assembly pages.
Grease fire or excessive flames above cooking surface	Too much grease buildup in burner area.	Turn off LP Tank. Leave lid open to allow flames to die down. After cooling, clean food particles and excess grease from inside firebox area, grease cup/pan/tray, and other surfaces
Burner will not light using igniter.	Gas issues	
	1. Trying to light wrong burner	1. See Instructions on control panel and section in the Use and Care.
	2. Burner not engaged with control valve	2. Make sure valve are positioned inside of burner tubes.
	3. Obstruction in burner.	3. Ensure burner tubes are not obstructed with spider webs or other
Burner will not light using igniter.	Electrical issues	
	1. Electrode cracked or broken;" sparks at crack." 2. Electrode tip not in proper position 3. Wire and/or electrode covered with cooking residue. 4. Wires are loose or disconnected 5. Wires are shorting (sparking) between igniter and electrode. 6. Push button sticks at bottom sparking between igniter and electrode	1. Replace electrode. 2. Tip of electrode should be pointing toward port hole in burner. The distance should be 1/8" to 3/16". Adjust if necessary. 3. Clean wire and or electrode with rubbing alcohol and clean swab. 4. Reconnect wires or replace electrode/wire assembly. 5. Replace igniter wire 6. Replace igniter 7. Inspect wire insulation and proper connection. Replace wires if insulation is broken.
Burner will not match light	See "gas issues;" on previous page. 2. Improper method of match-lighting	1. See "Pilot Gas Control Ignition" section of use and care.

Sudden drop in gas flow or low flame	1. Grease buildup. 2. Excessive fat in meat. 3. Excessive cooking temperature	1. Clean burners and inside of grill / firebox 2. Trim fat from meat before grilling. 3. Adjust (lower) temperature
Flames blow out	High or gusting winds. Low on LP gas. Excess flow valve tripped.	Turn front of grill to face wind or increase flame height. Refill LP tank. Refer to "sudden drop in gas flow" above.
Persistent grease fire	Grease trapped by food buildup around burner system.	Turn knobs to OFF. Turn gas off at LP tank. Leave lid in position and let fire burn out. After grill cools, remove and clean all parts.
Flashback (fire in burner tube(s))	Burner and burner tubes are blocked	Turn knobs to OFF, clean burner and/or burner tubes. See burner cleaning section of use and care manual
Flare-up	1. Grease buildup. 2. Excessive fat in meat. 3. Excessive cooking temperature	1. Clean burners and inside of grill / firebox 2. Trim fat from meat before grilling. 3. Adjust (lower) temperature
Unable to fill LP tank	Some dealers have older fill nozzles with worn threads.	Turn worn nozzles don't have enough "bite" to engage the valve. Try a second LP dealer.
One burner does not light from other burner(s)	Grease buildup or food particles in end of carryover tube	Clean carry-over tube with wire brush

If your problem is not resolved from the information above, please Contact your local gas dealer.

- a) Turn the burner on for 15 to 20 minutes. Ensure appliance is cold before continuing.
- b) Grids should be cleaned periodically by soaking and washing in soapy water.
- c) The interior surfaces of the grill housing cover should also be washed with hot, soapy water. Use a wire brush, steel wool or a scouring pad to remove stubborn spots.
- d) Periodically check the burner to see that it is free from insects and spiders which may clog the gas system, deflecting gas flow. Ensure to clean venturi pipes on burner very carefully, make sure that there are no obstructions. We recommend that you use a pipe cleaner to clean the venturi pipe area.
- e) Any modifications of this appliance may be dangerous and are not permitted.

Gas grill Safety Hints

Stand your gas grill on a safe level surface, away from inflammable items such as wooden fences or overhanging tree branches. Never use your gas grill indoors!

Once lit do not move your gas grill or leave it unattended.

Keep children and pets at a safe distance from the gas grill.

Keep a fire extinguisher handy.

The gas grill will become hot when in use, so handle lids etc. with the help of gloves.

Ensure that the appliance has completely cooled down before storing.

Use outdoors only!

Read the instructions before using the gas grill.

Assessable parts may be very hot, Keep young children away!

Do not move the gas grill during using.

Turn off the gas supply at the gas container after use.

Any modification of the appliance may be dangerous and be not permitted.

Maintenance center: please go to the local dealers for production maintenance.

Οδηγίες Ασφαλείας

Κρατήστε το εγχειρίδιο χρήσης για μελλοντική αναφορά!

Η ψησταριά υγραερίου είναι σχεδιασμένη μόνο για εξωτερική χρήση!

ΠΡΟΣΟΧΗ: ΓΙΑ ΑΣΦΑΛΗ ΚΑΙ ΟΡΘΗ ΛΕΙΤΟΥΡΓΙΑ ΔΙΑΣΦΑΛΙΣΤΕ ΤΗΝ ΣΥΝΔΕΣΗ ΜΕ ΕΝΑΝ ΡΥΘΜΙΣΤΗ ΠΙΕΣΗΣ ΜΕ ΑΝΤΕΠΙΣΤΡΟΦΗ ΒΑΛΒΙΔΑ ΔΕΝ ΠΕΡΙΛΑΜΒΑΝΕΤΑΙ)

ΣΗΜΑΝΤΙΚΟ:

ΔΙΑΒΑΣΤΕ ΟΛΕΣ ΤΙΣ ΟΔΗΓΙΕΣ ΚΑΙ ΤΙΣ ΔΙΑΔΙΚΑΣΙΕΣ ΠΡΙΝ ΤΗΝ ΛΕΙΤΟΥΡΓΙΑ ΤΗΣ ΜΟΝΑΔΑΣ. ΑΚΟΛΟΥΘΗΣΤΕ ΟΛΑ ΤΑ ΒΗΜΑΤΑ ΜΕ ΤΗΝ ΣΕΙΡΑ. ΜΗΝ ΑΦΗΝΕΤΕ ΠΟΤΕ ΠΑΙΔΙΑ ΝΑ ΛΕΙΤΟΥΡΓΟΥΝ ΤΗΝ ΜΟΝΑΔΑ.

Προειδοποιήσεις

Χρησιμοποιείτε την ψησταριά υγραερίου μόνο σε εξωτερικό χώρο.

Διαβάστε τις οδηγίες πριν χρησιμοποιήσετε την συσκευή.

Προσβάσιμα μέρη της ψησταριάς υγραερίου μπορεί να είναι καυτά, κρατήστε τα παιδιά μακριά.

Μην μετακινείτε την ψησταριά υγραερίου κατά την διάρκεια της χρήσης.

Κλείστε την παροχή υγραερίου στην φιάλη υγραερίου μετά την χρήση.

Κάθε μετατροπή της ψησταριάς υγραερίου μπορεί να καταστεί επικίνδυνη.

Εξαρτήματα τα οποία έχουν σφραγιστεί από τον κατασκευαστή ή προμηθευτή αυτού δεν πρέπει να υφίστανται μετατροπή από τον χρήστη. Μην μετατρέπετε με κανένα απολύτως τρόπο την ψησταριά υγραερίου.

Προσοχή:

Ορισμένα τμήματα της ψησταριάς μπορεί να γίνουν καυτά, προσέχετε ιδιαίτερως όταν βρίσκονται μαζί σας παιδιά ή άτομα μεγάλης ηλικίας.

Για την ασφάλειά σας:

Μην αποθηκεύετε ή χρησιμοποιείτε βενζίνη ή καύσιμα με μεθανόλη ή άλλα καύσιμα αέρια και υγρά στην περιοχή αυτής της συσκευής ή οποιασδήποτε άλλης συσκευής.

Ποτέ μην λειτουργείτε μην ψησταριά υγραερίου με βενζίνη ή άλλα συγκρίσιμα καύσιμα!

Ο χρήστης δεν πρέπει ποτέ να μεταβάλλει το συγκρότημα το οποίο έχει πακετάρει ο κατασκευαστής.

Ορισμένοι προμηθευτές υγραερίου μπορεί να γεμίσουν φιάλες υγραερίου για χρήση στη ψησταριά υγραερίου πέραν της ικανότητας πλήρωσης των φιαλών. Η "υπερπλήρωση" αυτή μπορεί να δημιουργήσει μια δυνητικά επικίνδυνη κατάσταση καθώς η "υπερπλήρωση" φιαλών να μπορεί να προκαλέσει υπέρμετρη πίεση. Ως διάταξη ασφαλείας, η ανακουφιστική βαλβίδα πίεσης των φιαλών απελευθερώνει αέριο σε μορφή ατμών ώστε να περιορίσει την υπερβολική αυτή πίεση. Το αέριο αυτό είναι εύφλεκτο και επομένως μπορεί ενδεχομένως να αναφλεγεί. Προκειμένου να μειώσετε τον κίνδυνο αυτό, θα πρέπει να λάβετε τις ακόλουθες προφυλάξεις ασφαλείας:

A. Όταν πρέπει να γεμίσετε την φιάλη/τις φιάλες σας, βεβαιωθείτε ότι έχετε ενημερώσει τον προμηθευτή σας να την γεμίσει **με όχι περισσότερο από το 80% της συνολικής χωρητικότητάς της.**

B. Εάν κατέχετε ή χρησιμοποιείτε μια επιπλέον εφεδρική φιάλη, ή διαθέτε μια αποσυνδεδεμένη φιάλη, δεν πρέπει ποτέ να την αποθηκεύετε κοντά ή κάτω από τη ψησταριά ή κοντά σε οποιαδήποτε άλλη πηγή θερμότητας που θα μπορούσε να προκαλέσει ανάφλεξη ή έκρηξη.

Εάν ανιχνεύσετε οσμή υγραερίου:

1. Κλείστε την παροχή αερίου στην συσκευή.
2. Σβήστε οποιαδήποτε ανοικτή φλόγα.
3. Ανοίξτε το καπάκι.
4. Εάν η οσμή εξακολουθεί να υπάρχει, απομακρυνθείτε από την ψησταριά και καλέστε το τοπικό τμήμα πυροσβεστικής.

Τεχνικά χαρακτηριστικά				
	BBQ4100	BBQ3100	BBQ3000	BBQ2000
Βασικό χαρακτηριστικό	ψησταριά υγραερίου με 4 + 1 (πλαϊνή) εστίες	ψησταριά υγραερίου με 3 + 1 (πλαϊνή) εστίες	ψησταριά υγραερίου με 3 εστίες (χωρίς πλαϊνή εστία)	ψησταριά υγραερίου με 2 εστίες (χωρίς πλαϊνή εστία)
Διαστάσεις	L129xW57xH110 cm	L122xW57xH110 cm	L120xW57xH102 cm	L106xW57xH102 cm
Επιφάνεια ψησίματος	L69xW45 cm	L60xW45 cm	L60xW45 cm	L45xW45 cm
Σχάρα	μαντεμένια σχάρα με εμαγιέ επικάλυψη			μαντεμένια σχάρα
Εστίες και ισχύς	4 εστίες (x 3,6 kW) + 1 πλαϊνή εστία (2,7 kW), συνολική ισχύς 17,1 kW	3 εστίες (x 3,6 kW) + 1 πλαϊνή εστία (2,7 kW), συνολική ισχύς 13,5 kW	3 εστίες (x 3,6 kW) συνολική ισχύς 10,8 kW	2 εστίες (x 3,6 kW) συνολική ισχύς 7,2 kW
Ειδικά χαρακτηριστικά	2 πλευρικά μεταλλικά ράφια, τροχήλατη (2 τροχίσκοι), INOX θερμόμετρο, διακόπτες αυτόματης ανάφλεξης, αφαιρούμενος συλλέκτης λίπους, μεταλλικό μπροστινό πάνελ κάλυψης ραφίου (BBQ3000), 2 μεταλλικές μπροστινές πόρτες (BBQ3100, BBQ4100)			
Ρυθμιστής και σωλήνας	δεν περιλαμβάνονται			

Βήματα συναρμολόγησης

Βεβαιωθείτε ότι η ψησταριά υγραερίου έχει συναρμολογηθεί σωστά. Λεπτομερείς οδηγίες συναρμολόγησης παρέχονται με κάθε ψησταριά οι οποίες περιγράφουν συγκεκριμένες διαδικασίες συναρμολόγησης για κάθε μοντέλο. Ακολουθήστε προσεκτικά αυτές τις οδηγίες ώστε να εξασφαλίσετε τη σωστή και ασφαλή συναρμολόγηση της ψησταριάς υγραερίου. Αν και έχει γίνει κάθε προσπάθεια προκειμένου να εξασφαλιστεί ότι η διαδικασία συναρμολόγησης είναι όσο το δυνατόν απλούστερη, εγγενώς τα κατασκευασμένα τμήματα χάλυβα με γωνίες και ακμές μπορούν ενδεχομένως να προκαλέσουν τραυματισμούς με κακούς χειρισμούς κατά τη διάρκεια των διαδικασιών συναρμολόγησης. Να είστε προσεκτικοί κατά το χειρισμό τυχόν εξαρτημάτων κατά τη διάρκεια της συναρμολόγησης. Συνιστάται ιδιαίτέρως να προστατεύετε τα χέρια σας με ένα ζευγάρι γαντιών εργασίας.

Προετοιμασία: Θα χρειαστείτε φιάλη υγραερίου και τις κατάλληλες ρυθμιστικές βαλβίδες αντεπιστροφής υπό την πίεση του υγραερίου προκειμένου να λειτουργήσετε την ψησταριά υγραερίου. Οι ρυθμιστικές βαλβίδες αντεπιστροφής θα πρέπει να συμμορφώνονται με την τρέχουσα έκδοση του προτύπου EN16129 και τους εθνικούς κανονισμούς.

Συμβουλές εξοικονόμησης ενέργειας:

- Μειώστε τον χρόνο λειτουργίας με ανοικτό το το καπάκι.
- Σβήστε την ψησταριά υγραερίου μόλις ολοκληρωθεί το ψήσιμο.
- Προθερμάνετε την ψησταριά υγραερίου για 10 έως 15 λεπτά μόνο (εκτός από την πρώτη χρήση).
- Μην προθερμαίνετε περισσότερο από ότι συνιστάται.
- Μην χρησιμοποιείτε υψηλότερη ρύθμιση από την απαιτούμενη.
- Συνδέστε τον σωλήνα και την βαλβίδα αντεπιστροφής στην φιάλη υγραερίου στην αριστερή πλευρά της ψησταριάς, λαμβάνοντας υπόψη ότι η φιάλη υγραερίου πρέπει να φυλάσσεται μακριά από θερμότητα και να βρίσκεται σε ασφαλή σχετικά θέση. Η διάμετρος σωλήνα είναι 8 - 10mm. Το συνιστώμενο μήκος του εύκαμπτου σωλήνα δεν πρέπει να υπερβαίνει το 1,5 m. Ο εύκαμπτος σωλήνας θα πρέπει να συμμορφώνεται με τους σχετικούς τυποποιημένους και εγχώριους κανονισμούς.

Εγκατάσταση

Αφού αγοράσετε την φιάλη αερίου μπορείτε να την τοποθετήσετε στην ψησταριά αερίου.

- Κατά την αντικατάσταση της φιάλης αερίου, η αντικαθιστώμενη φιάλη πρέπει να μεταφέρεται μακριά από οποιαδήποτε πηγή θερμότητας ή σημείο που μπορεί να προκαλέσει ανάφλεξη. Τοποθετήστε την νέα φιάλη αερίου στην αριστερή πλευρά της ψησταριάς, λαμβάνοντας υπόψη δεν πρέπει να τοποθετηθεί εντός του BBQ, η φιάλη πρέπει να κρατηθεί όσο το δυνατόν μακριά από θερμότητα και σε ασφαλή θέση.
- Όταν είστε έτοιμοι να χρησιμοποιήσετε την ψησταριά υγραερίου τοποθετήστε την βαλβίδα αντεπιστροφής και συσφίξτε προς σταθεροποίηση αυτής.

Προειδοποίηση: Πριν επιχειρήσετε να ανάψετε την ψησταριά, ανατρέξτε με προσοχή τις οδηγίες και στα σημεία προειδοποίησης και ασφάλειας.

Ελέγξτε τον εύκαμπο σωλήνα πριν από κάθε χρήση, ψάχνοντας για επιφανειακές ρωγμές, κοψίματα ή τυχόν εκδορές. Εάν διαπιστωθεί ότι ο εύκαμπτος σωλήνας είναι ελαττωματικός με οποιονδήποτε τρόπο, μην επιχειρήσετε να χρησιμοποιήσετε την ψησταριά υγραερίου. Κατά την αντικατάσταση της φιάλης αερίου βεβαιωθείτε ότι δεν υπάρχουν πηγές ανάφλεξης κοντά, π.χ. φωτιά, τσιγάρα, φλόγα κλπ. Βεβαιωθείτε ότι η συσκευή είναι απενεργοποιημένη. Βεβαιωθείτε ότι ο εύκαμπτος σωλήνας δεν υποβάλλεται σε συστολή που θα επηρεάσει τη ροή του αερίου κατά την εγκατάσταση της ψησταριάς. Επίσης, ο εύκαμπτος σωλήνας δεν πρέπει να υφίσταται αδικαιολόγητη τάση και δεν πρέπει να αγγίζει κανείς κανένα τμήμα της ψησταριάς αερίου που μπορεί να είναι καυτό.

- Επιλέξτε πυρίμαχο εύκαμπο σωλήνα που να αντέχει σε θερμοκρασίες άνω των 80 βαθμών κελσίου.

- Ο εύκαμπτος σωλήνας πρέπει να αντικαθίσταται κάθε 2 έτη. Είναι απαραίτητο να προβαίνετε σε αντικατάσταση του εύκαμπτου σωλήνα (γνωστού και ως λάστιχου αερίου) όταν το απαιτούν οι εθνικοί κανονισμοί και η αντίστοιχη νομοθεσία.

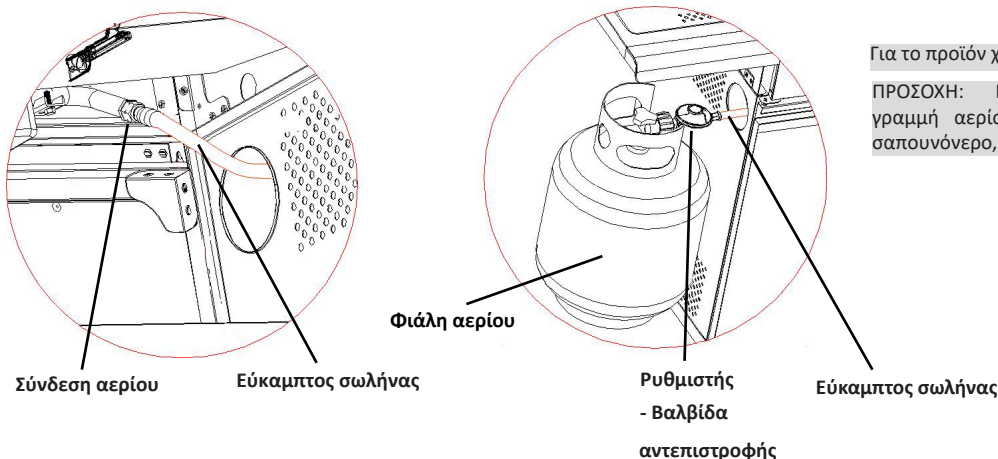
Αντικατάσταση φιάλης

Κλείστε τον διακόπτη της φιάλης (δεν απαιτείται κλειδί σύσφιξης)

Το ύψος της φιάλης αερίου ανέρχεται σε λιγότερο από 80 cm, και το πλάτος εντός 35 cm.

Σύνδεση νέας φιάλης αερίου

- Γυρίστε το πορτοκαλί καπάκι έτσι ώστε το βέλος δείχνει προς το κενό στο κάλυμμα.
- Αφαιρέστε το πορτοκαλί καπάκι ασφαλείας τραβώντας το κορδόνι προς τα έξω. Μην χρησιμοποιείτε εργαλεία. Αφήστε το καπάκι να κρέμεται.
- Ελέγξτε ότι η μαύρη ροδέλα σφράγισης είναι τοποθετημένη μέσα στη βαλβίδα φιάλης. Συνδέστε τον ρυθμιστή στην βαλβίδα.
- Γυρίστε το διακόπτη δεξιόστροφα στη φιάλη αερίου και ανάψτε τη ψησταριά αερίου σύμφωνα με τις οδηγίες.



Για το προϊόν χωρίς το τμήμα φιάλης αερίου μόνο

ΠΡΟΣΟΧΗ: Πάντοτε να ελέγχετε την γραμμή αερίου για διαρροές σύνδεσης με σαπουνόνερο, εξετάζοντας όλες τις συνδέσεις.

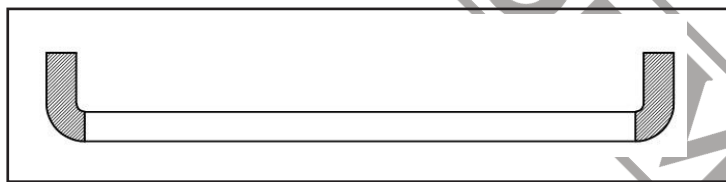
Πώς να αποσυνδέσετε μια φιάλη αερίου

- α. Με εξαίρεση την περίπτωση εγκαταστάσεων δύο φιαλών με μια βαλβίδα αλλαγής, κλείστε τη παροχέτευση αερίου εάν είναι τοποθετημένη στη συσκευή. Περιμένετε μέχρι να σβήσει ο καυστήρας και η πιλότικη φλόγα στο αντίστοιχο εξάρτημα. Για εγκαταστάσεις με βαλβίδα αλλαγής, είναι απαραίτητο μόνο να κλείσετε την άδεια φιάλη.
- β. Τοποθετήστε το πορτοκαλί καπάκι ασφαλείας στην άδεια φιάλη.

Προειδοποιήσεις και θέματα ασφαλείας

Παρακαλούμε διαβάστε τα ακόλουθα σημεία πριν χρησιμοποιήσετε την ψησταριά υγραερίου:

- α. Διαβάστε τις οδηγίες πριν χρησιμοποιήσετε την συσκευή αυτή. Εάν δεν ακολουθούνται οι οδηγίες, μπορεί να δημιουργηθούν προβλήματα κατά την χρήση.
- β. Τα προσβάσιμα μέρη της ψησταριάς ίσως γίνουν καυτά όταν χρησιμοποιείται. Κρατήστε τα μικρά παιδιά μακριά. Χρησιμοποιείτε αντίστοιχη προστασία όταν χειρίζεστε ιδιαίτερα καυτά εξαρτήματα.
- γ. Σε περίπτωση διαρροής αερίου, απενεργοποιήστε την παροχή αερίου στη φιάλη αερίου, σβήστε τυχόν φλόγες, ανοίξτε το καπάκι και αν συνεχιστεί η διαρροή, ελέγξτε για φθορές, κακές συνδέσεις κ.α. Επικοινωνήστε αμέσως με τον αρμόδιο τεχνικό εάν το πρόβλημα δεν μπορεί να επιλυθεί άμεσα.
- δ. Μην μετακινείτε τη ψησταριά υγραερίου κατά τη χρήση.
- ε. Μην χρησιμοποιείτε ή αποθηκεύετε υγρά, αέρια ή άλλα υλικά στην περιοχή λειτουργίας της ψησταριάς υγραερίου.
- στ. Η ψησταριά υγραερίου μπορεί να χρησιμοποιηθεί μόνο σε εξωτερικούς χώρους.
- ζ. Μην χρησιμοποιείτε γυμνή φλόγα προκειμένου να ελέγξετε για τυχόν διαρροές υγραερίου.
- η. Μην χρησιμοποιείτε την ψησταριά υγραερίου σε περίπτωση διαρροής υγραερίου. Κλείστε την παροχή υγραερίου.
- θ. Μην επιχειρήσετε να αποσυνδέσετε οποιοδήποτε εξάρτημα υγραερίου εάν η ψησταριά υγραερίου βρίσκεται σε λειτουργία ή αντίστοιχως τον ρυθμιστή αερίου / φιάλη.
- ι) Συνιστάται προσοχή κατά τη λειτουργία της ψησταριάς υγραερίου, δεν πρέπει ποτέ να την αφήνετε χωρίς επίβλεψη όταν την χρησιμοποιείτε. Απενεργοποιήστε την παροχή αερίου στο δοχείο αερίου μετά τη χρήση.
- ια) Η ψησταριά υγραερίου πρέπει να καθαρίζεται μετά τη χρήση. Προσέξτε να μην μεγεθύνετε τις θύρες καυστήρα ή τα ανοίγματα ακροφυσίων κατά τον καθαρισμό του καυστήρα ή των βαλβίδων.
- ιβ) Μην επιχειρήσετε να χρησιμοποιήσετε αυτή τη συσκευή σε γκαράζ ή σε οποιοδήποτε κλειστό χώρο. Επίσης, αυτή η συσκευή πρέπει να φυλάσσεται μακριά από εύφλεκτα υλικά κατά τη χρήση της. Συνιστούμε να διατηρείτε απόσταση τουλάχιστον 0,5 έως 1,0 μέτρον από τυχόν εύφλεκτα υλικά.
- ιγ) Συνιστάται τακτικό σέρβις τουλάχιστον μία φορά το χρόνο από έναν αρμόδιο τεχνικό. Μην επιχειρήσετε να κάνετε σέρβις στην ψησταριά μόνοι σας.
- ιδ) Οποιαδήποτε μετατροπή της συσκευής μπορεί να καταστεί επικίνδυνη. Μην επιχειρήσετε καμία μη εξουσιοδοτημένη παρέμβαση στους κύριους μηχανισμούς ελέγχου της ψησταριάς αυτής, π.χ. καλύμματα αερίου, εγχυτήρες, βαλβίδες και τα λουπά.



ΠΡΟΣΟΧΗ: Η ΣΚΟΥΡΑ ΕΠΙΦΑΝΕΙΑ ΤΗΣ ΛΑΒΗΣ (δείτε την διπλανή φωτογραφία) θα γίνει καυτή όταν η ψησταριά υγραερίου τεθεί σε χρήση. Μην ακουμπάτε τις συγκεκριμένες περιοχές της λαβής.

Προφυλάξεις ασφαλείας

- α. Πάντοτε να εξετάζετε τη γραμμή αερίου για διαρροές στα σημεία σύνδεσης με σαπωνώδες νερό αφού πραγματοποιήσετε τις συνδέσεις.
- β. Το άνω καπάκι πρέπει πάντα να είναι ανοιχτό όταν ανάβετε την εστία.
- γ. Χρησιμοποιήστε γάντια φούρνου και ανθεκτικά, επιμήκη εργαλεία χειρισμού ψησταριάς από απόσταση κατά το ψήσιμο στη σχάρα.
- δ. Να είστε προετοιμασμένοι για περίπτωση ατυχήματος ή πυρκαγιάς. Να γνωρίζετε πού είναι το κουτί πρώτων βοηθειών και οι πυροσβεστήρες και να ξέρετε πώς να τα χρησιμοποιήσετε εάν χρειαστεί.
- ε. Κρατήστε κάθε καλώδιο ηλεκτρικής τροφοδοσίας και το σωλήνα τροφοδοσίας καυσίμου μακριά από τυχόν θερμαινόμενες επιφάνειες.
- στ. Πάντα να χειρίζεστε την ψησταριά κατά την διάρκεια του ψήσιματος με μεγάλη προσοχή.
- ζ. Μην θερμαίνετε οποιοδήποτε μη ανοιγμένο γυάλινο ή μεταλλικό δοχείο φαγητού στη σχάρα καθώς η πίεση εντός του μπορεί να αυξηθεί υπέρμετρα και να προκαλέσει την έκρηξη του δοχείου, με ενδεχόμενο αποτέλεσμα έναν σοβαρό τραυματισμό ή το λιγότερο βλάβη στη σχάρα.
- η. Μην στέκεστε με το πρόσωπό σας ακριβώς πάνω από την ψησταριά υγραερίου όταν την ανάβετε.

Οδηγίες Λειτουργίας

Η ψησταριά αερίου έχει την ακόλουθη μέθοδο έναυσης: Με όλα τα κομβία της ψησταριάς υγραερίου στη θέση "OFF", γυρίστε τη βαλβίδα της φιάλης υγραερίου στη θέση ενεργοποίησης "ON". Για να δημιουργήσετε σπινθήρα, πρέπει να πιέσετε το κομβίο ελέγχου (A) και να το κρατήσετε σε αυτή τη θέση για 3-5 δευτερόλεπτα ώστε να επιτρέψετε να λάβει χώρα ροή του υγραερίου και ακολούθως στρίψτε αριστερόστροφα σε ρύθμιση ισχύος "ΥΨΗΛΗ/HIGH" (B). Μπορεί να προκληθεί σπινθήρας στον σωλήνα έναυσης της εστίας (C). Θα ακούσετε έναν χαρακτηριστικό ήχο από τον αναφλεκτήρα και θα δείτε επίσης μια πορτοκαλί φλόγα να πηγάει από τον σωλήνα έναυσης της εστίας στην αριστερή πλευρά της εστίας (D). Συνεχίστε να πατάτε το κομβίο ελέγχου της εστίας προς τα κάτω / μέσα για δύο δευτερόλεπτα αφού ακούσετε τον χαρακτηριστικό ήχο, ενέργεια που θα επιτρέψει στο υγραέριο να ρεύσει εντελώς προς το κάτω μέρος του σωλήνα της εστίας (E) και συνεπώς να διασφαλιστεί η έναυση. Όταν μια εστία είναι αναμμένη, η φλόγα παρακείμενων εστιών μπορεί να αναμειχθεί με την προκυπτόμενη φλόγα στην εστία αυτή εάν βρίσκονται σε ρύθμιση "ΥΨΗΛΗ/HIGH". Στην ρύθμιση "ΥΨΗΛΗ/HIGH" η φλόγα της εστίας θα πρέπει να έχει μήκος περίπου 12-20 mm με ένα ελάχιστο ύψος πορτοκαλί φλόγας. Στρίψτε το κομβίο ελέγχου υγραερίου πλήρως αριστερόστροφα για μια ρύθμιση στο ελάχιστο. Σε περίπτωση που παρουσιαστεί οποιαδήποτε δυσκολία με το άναμμα της ψησταριάς υγραερίου και εφόσον έχετε ακολουθήσει τα παραπάνω βήματα, επικοινωνήστε με τον αντιπρόσωπό σας για περαιτέρω συμβουλές.

Εάν η αυτόματη έναυση δεν μπορεί να χρησιμοποιηθεί, αφαιρέστε την ψησταριά και τον διαχύτη θερμότητας (εστία), και στρίψτε τη βαλβίδα αριστερόστροφα στους 90° ώστε να ανάψει με το αναφλεκτήρα BBQ σε απόσταση 5 mm από την εστία καύσης. Αντικαταστήστε την ψησταριά και το διαχύτη θερμότητας (εστία) φορώντας υποχρεωτικά πυρίμαχα και ανθεκτικά στη θερμότητα γάντια.

ΠΡΟΣΟΧΗ: Εάν η εστία εξακολουθεί να μην ανάβει, στρίψτε το κομβίου ελέγχου της εστίας στην θέση "OFF" και περιμένετε 5 λεπτά προκειμένου να αφήσετε να καθαρίσει από υγραέριο πριν προσπαθήσετε εκ νέου.

Αποθήκευση

Η φιάλη αερίου πρέπει να φυλάσσεται σε καλά αεριζόμενους χώρους και πρέπει να αποσυνδέεται από την ψησταριά υγραερίου όταν δεν χρησιμοποιείται. Βεβαιωθείτε ότι βρίσκεστε σε εξωτερικό χώρο και μακριά από οποιοδήποτε πηγές ανάφλεξης πριν επιχειρήσετε να αποσυνδέσετε τη φιάλη αερίου από την ψησταριά υγραερίου. Όταν χρησιμοποιείτε την ψησταριά υγραερίου μετά από μια περίοδο αποθήκευσής της, βεβαιωθείτε ότι έχετε πραγματοποιήσει έλεγχο για διαρροές και ελέγξτε για τυχόν εμπόδια στις εστίες κ.λπ. Επίσης, ακολουθήστε τις οδηγίες καθαρισμού προκειμένου να βεβαιώνεται ότι η ψησταριά υγραερίου είναι ασφαλής. Εάν η ψησταριά υγραερίου αποθηκεύεται σε εξωτερικούς χώρους, βεβαιωθείτε ότι όλοι οι χώροι κάτω από το μπροστινό πλαίσιο είναι απαλλαγμένοι από τυχόν εμπόδια. Η περιοχή αυτή πρέπει να διατηρείται ελεύθερη, καθώς κάθε παρεμπόδιση στο σημείο αυτό μπορεί να επηρεάσει τη ροή του αέρα καύσης ή εξαερισμού.

Οδηγίες καθαρισμού

Συνιστάται συντήρηση κάθε 90 μέρες για την ψησταριά υγραερίου αλλά είναι απολύτως απαραίτητο να την συντηρείτε μια φορά τον χρόνο. Συντηρώντας την ψησταριά σύμφωνα με ό,τι προβλέπεται θα αυξηθεί η διάρκεια ζωής της. Η ψησταριά μπορεί να καθαριστεί εύκολα και με ελάχιστη προσπάθεια, αρκεί να ακολουθήσετε τις τυπικές καθαρισμού.

Επίλυση αναδυόμενων προβλημάτων		
Πρόβλημα	Πιθανή αιτία	Αποτροπή / Επίλυση προβλήματος
Διαρροή υγραερίου από θραυσμένο, κομμένο, καμμένο εύκαμπτο σωλήνα.	Κατεστραμμένος εύκαμπτος σωλήνας.	Κλείστε την παροχή υγραερίου στη φιάλη εάν ο εύκαμπτος σωλήνας είναι κομμένος ή έχει υποστεί ρωγμές και αντικαταστήστε τον εύκαμπτο σωλήνα. Εξετάστε τη σύνδεση του ρυθμιστή (βαλβίδα).
Διαρροή υγραερίου από την φιάλη.	Μηχανική αστοχία λόγω κακού χειρισμού ή αδράνειας.	Κλείστε την βαλβίδα της φιάλης.
Διαρροή υγραερίου από την βαλβίδα φιάλης.	Αστοχία, κακός χειρισμός βαλβίδας φιάλης ή μηχανική αστοχία.	Κλείστε την βαλβίδα της φιάλης. Επιστρέψτε την φιάλη στον προμηθευτή.
Διαρροή υγραερίου μεταξύ της φιάλης υγραερίου και της σύνδεσης ρυθμιστή.	Κακή εγκατάσταση, χαλαρή σύνδεση, αστοχία στεγανοποιητικής διάταξης.	Κλείστε την βαλβίδα της φιάλης, αφαιρέστε τον ρυθμιστή από την φιάλη και ελέγξτε οπτικά την στεγανοποιητική διάταξη για τυχόν ζημιά.
Φωτιά εξέρχεται από τον πίνακα ελέγχου/ χειριστήριο.	Φωτιά στο τμήμα φλογοσωλήνων της ψησταριάς λόγω εν μέρει φραξίματος	Γυρίστε τα κομβία στην θέση off και στρέψτε την βαλβίδα της φιάλης στην θέση κλεισίματος. Αφού σβήσει η φωτιά και η ψησταριά κρυώσει, αφαιρέστε την εστία/τις εστίες και ελέγξτε για την ύπαρξη ιστών/φωλιάς αράχνης ή σκουριάς και λάβετε μέτρα αφαίρεσης αυτών.
Φωτιά στο γράσο ή μεγάλες φλόγες πάνω από την επιφάνεια ψησίματος.	Υπερβολική συγκέντρωση γράσου στα σημεία εστιών/εστίας.	Κλείστε την φιάλη. Αφήστε το καπάκι ανοικτό ώστε να εξασθενήσουν σταδιακά οι φλόγες και τελικά να σβήσουν. Αφού κρυώσει η συσκευή καθαρίστε από συσσωματώματα τροφής και υπέρμετρη ποσότητα γράσου από όλες τις επιφάνειες.
Η εστία δεν ανάβει με την χρήση του αναφλεκτήρα.	Μηχανικά Αίτια (σχετικά με το υγραέριο).	
	1. Προσπαθείτε να ανάψετε λάθος εστία.	1. Δείτε τις οδηγίες στον πίνακα ελέγχου (χειριστήριο).
	2. Η εστία δεν συνεργάζεται με την βαλβίδα ελέγχου.	2. Βεβαιωθείτε ότι οι βαλβίδες είναι τοποθετημένες εντός των φλογοσωλήνων.
	3. Εμπόδιο στην εστία.	3. Βεβαιωθείτε ότι οι φλογοσωλήνες δεν εμποδίζονται από ιστούς αράχνης ή άλλο τυχόν εμπόδιο.
	4. Δεν υπάρχει ροή υγραερίου.	4. Βεβαιωθείτε ότι η φιάλη υγραερίου δεν έχει αδειάσει. Εάν η φιάλη υγραερίου δεν είναι άδεια, εξετάστε για ξαφνική πτώση πίεσης στην ροή του υγραερίου.
Η εστία δεν ανάβει με την χρήση αναφλεκτήρα.	Ηλεκτρικά Αίτια	
	1. Σπασμένο ηλεκτρόδιο, ρωγμή στο ηλεκτρόδιο, σπινθήρες στο σημείο θραύσης. 2. Το άκρο ηλεκτροδίου δεν είναι τοποθετημένο στην κατάλληλη θέση. 3. Καλώδιο ή/και ηλεκτρόδιο καλυμμένο με υπολείμματα μαγειρικής. 4. Τα καλώδια έχουν χαλαρή σύνδεση ή είναι αποσυνδεδεμένα. 5. Το καλώδιο βραχυκυκλώνεται (σπινθηρίζει) μεταξύ του αναφλεκτήρα και του ηλεκτροδίου. 6. Το κομβίο πίεσης κολλάει στην κάτω θέση δημιουργώντας σπινθήρα μεταξύ αναφλεκτήρα και ηλεκτροδίου.	1. Αντικαταστήστε το ηλεκτρόδιο. 2. Το άκρο του ηλεκτροδίου θα πρέπει να κατευθύνεται προς την οπή θύρας στην εστία. Η απόσταση θα πρέπει να είναι 1/8" to 3/16". 3. Καθαρίστε το καλώδιο ή το ηλεκτρόδιο με οινόπνευμα και καθαρό πανάκι. 4. Επανασυνδέστε τα καλώδια ή αντικαταστήστε το συγκρότημα ηλεκτροδίου/καλωδίου. 5. Αντικαταστήστε το καλώδιο αναφλεκτήρα. 6. Αντικαταστήστε τον αναφλεκτήρα και επιθεωρήστε την μόνωση του καλωδίου τις συνδέσεις. Αντικαταστήστε τα καλώδια εάν έχει φθαρεί η μόνωση.

Η εστία δεν ανάβει.	<ol style="list-style-type: none"> 1. Δείτε τα ζητήματα περί υγραερίου στην προηγούμενη σελίδα. 2. Ακατάλληλη μέθοδος έναυσης. 	<ol style="list-style-type: none"> 1. Δείτε στο κεφάλαιο χρήσης και φροντίδα το αντίστοιχο εδάφιο "Έλεγχος έναυσης υγραερίου".
Ξαφνική πτώση της ροής υγραερίου ή χαμηλή φλόγα.	<ol style="list-style-type: none"> 1. Υψηλή συγκέντρωση γράσου/λιπαντικού. 2. Υπερβολική ποσότητα λίπους στο κρέας. 3. Υπερβολική θερμοκρασία ψησίματος. 	<ol style="list-style-type: none"> 1. Καθαρίστε τις εστίες και το εσωτερικό της ψησταριάς. 2. Περιορίστε το λίπος του κρέατος πριν το ψήσιμο. 3. Μειώστε την θερμοκρασία ψησίματος.
Οι φλόγες ξεφεύγουν από τα συνήθη όρια τους.	<ol style="list-style-type: none"> 1. Δυνατός άνεμος. 2. Χαμηλώστε την παροχή υγραερίου. 3. Απελευθέρωση βαλβίδας έγχυσης περίσσειας ροής. 	<ol style="list-style-type: none"> 1. Γυρίστε την ψησταριά προς τον άνεμο ή αυξήστε το ύψος φλόγας. 2. Γεμίστε ξανά την φιάλη υγραερίου. 3. Δείτε την ως άνω περίπτωση "απότομη πτώση ροής υγραερίου".
Επίμονη φωτιά λόγω λίπους.	Λίπος έχει παγιδευτεί λόγω υπερσυγκέντρωσης τροφής περί του συστήματος καύσης.	Γυρίστε τα κομβία στην θέση OFF. Κλείστε την παροχή υγραερίου στην φιάλη. Αφήστε το καπάκι στην θέση του αφήστε την φωτιά να σβήσει μόνη της. Όταν κρυώσει η ψησταριά, αφαιρέστε το λίπος και καθαρίστε τα αντίστοιχα τμήματα όπως απαιτείται.
Αναστροφή φλόγας / Φωτιά στους φλογοσωλήνες.	Η εστία και οι φλογοσωλήνες έχουν μπλοκάρει.	Γυρίστε τα κομβία στην θέση OFF, καθαρίστε την εστία και/ή του φλογοσωλήνες. Δείτε επιπροσθέτως το σχετικό εδάφιο περί καθαρισμού.

Εάν το όποιο τυχόν αναδυόμενο τεχνικό πρόβλημα δεν επιλυθεί με τη συνδρομή των ως άνω πληροφοριών, επικοινωνήστε με τον τοπικό προμηθευτή/ αρμόδιο τεχνικό αντιπρόσωπο.

α. Ενεργοποιήστε την/τις εστίες για 15 έως 20 λεπτά. Βεβαιωθείτε ότι η συσκευή δεν καίει υπερβολικά πριν συνεχίσετε.

β. Οι σχάρες πρέπει να καθαρίζονται περιοδικά με εμβάπτιση και πλύσιμο σε σαπουνόνερο.

γ. Οι εσωτερικές επιφάνειες του καλύμματος της ψησταριάς πρέπει επίσης να πλένονται με ζεστό σαπουνόνερο. Χρησιμοποιήστε συρματόβουρτσα, ασαλόσυρμα ή σφουγγάρι λείανσης προκειμένου να αφαιρέσετε τα σημεία με επιμονές ακαθαρσίες.

δ. Ελέγχετε περιοδικά την εστία προκειμένου να διασφαλίσετε ότι δεν υπάρχουν έντομα ή αράχνες τα οποία μπορεί να φράξουν το σύστημα υγραερίου, εκτρέποντας τη ροή του υγραερίου. Βεβαιωθείτε ότι έχετε καθαρίσει τους σωλήνες venturi στην εστία ιδιαίτερος προσεκτικά και διασφαλίστε ότι δεν υπάρχουν εμπόδια. Σας συνιστούμε να χρησιμοποιήσετε ένα εργαλείο καθαρισμού σωλήνων προκειμένου να καθαρίσετε τους σωλήνες venturi.

ε. Οποιοσδήποτε μετατροπές της συσκευής αυτής μπορεί ενδεχομένως να καταστούν επικίνδυνες και δεν επιτρέπονται σε καμία περίπτωση.

Συμβουλές ασφάλειας για την ψησταριά υγραερίου

Τοποθετήστε την ψησταριά υγραερίου σε μια ασφαλή επίπεδη επιφάνεια, μακριά από εύφλεκτα στοιχεία, όπως ξύλινοι φράκτες ή προεξέχοντα κλαδιά δέντρων. Μην χρησιμοποιείτε ποτέ την ψησταριά υγραερίου σε εσωτερικό χώρο. Μόλις ανάψει η ψησταριά μην την μετακινείτε και μην την αφήνετε χωρίς στοιχειώδη επίβλεψη. Κρατήστε τα παιδιά και τα κατοικίδια ζώα σε ασφαλή απόσταση από την ψησταριά υγραερίου. Να έχετε έναν πυροσβεστήρα σε ετοιμότητα. Η ψησταριά υγραερίου γίνεται καυτή όταν χρησιμοποιείται, συνεπώς να χειρίζεστε τα καπάκια με την συνδρομή γαντιών. Βεβαιωθείτε ότι η ψησταριά υγραερίου έχει κρυώσει εντελώς πριν την αποθηκεύσετε. Χρήση προβλέπεται μόνο σε εξωτερικούς χώρους! Διαβάστε τις οδηγίες πριν χρησιμοποιήσετε την ψησταριά υγραερίου. Συγκεκριμένα τμήματα της ψησταριάς υγραερίου μπορεί να καταστούν ιδιαίτερος καυτά. Κρατήστε τα μικρά παιδιά μακριά! Μην μετακινείτε τη ψησταριά υγραερίου κατά τη χρήση. Απενεργοποιήστε την παροχή υγραερίου στη φιάλη μετά τη χρήση. Οποιαδήποτε μετατροπή της συσκευής μπορεί να είναι επικίνδυνη και ως εκ τούτου δεν επιτρέπεται. Συντήρηση/Service: να επισκέπτεσθε τον τοπικό προμηθευτή προκειμένου για εργασίες συντήρησης/service.

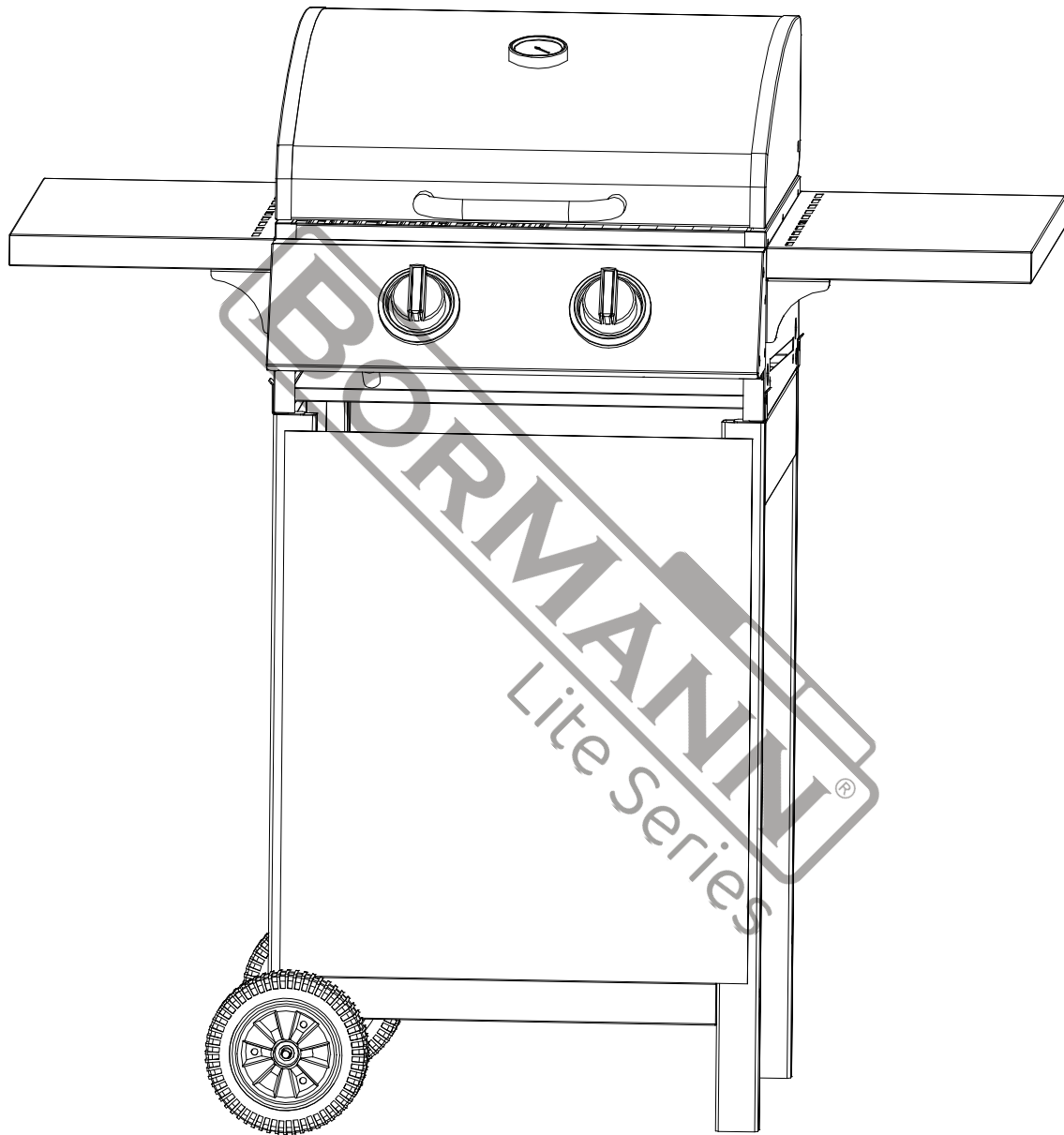
LITE SERIES

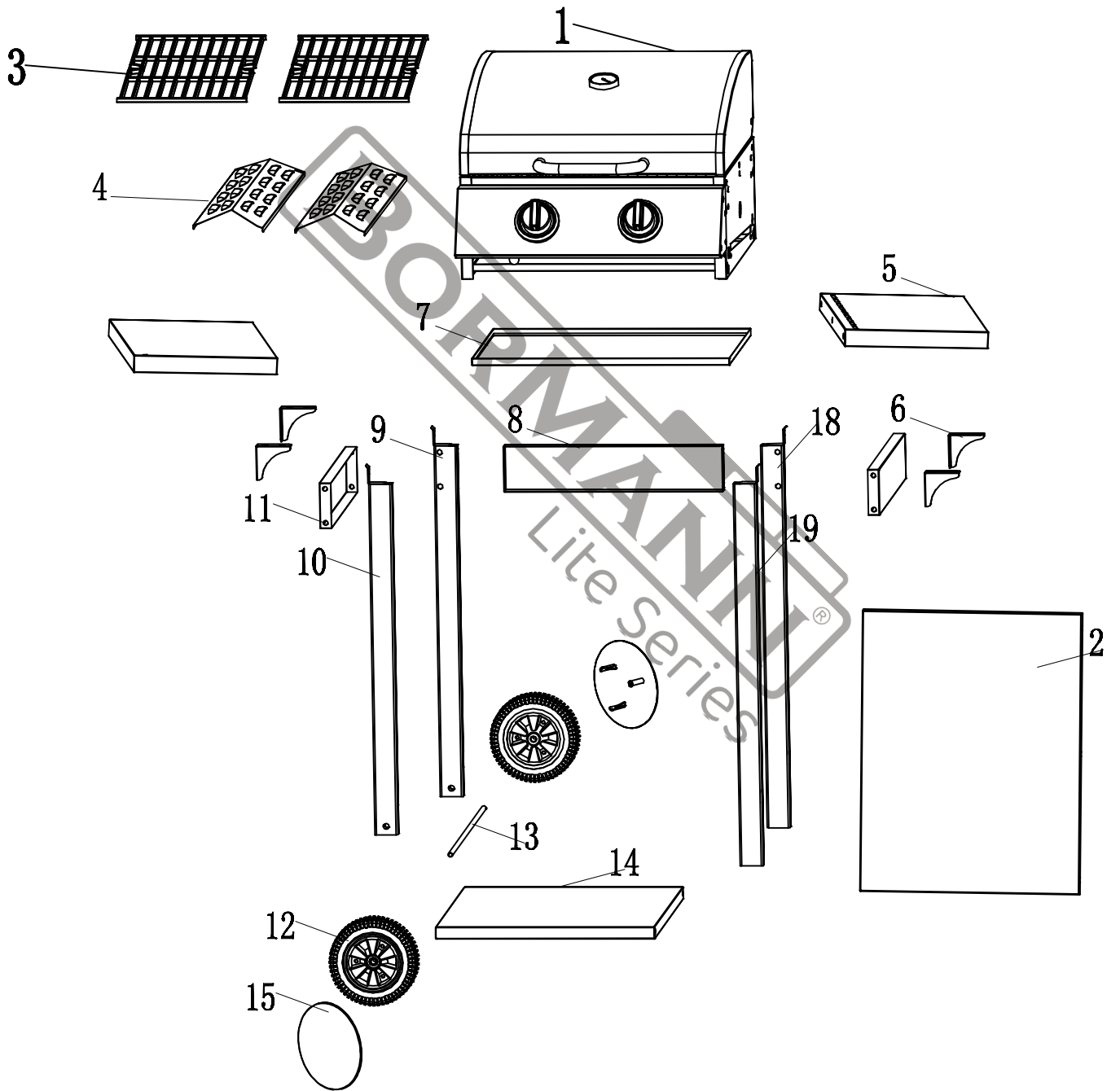
BORMANN®

BBQ2000

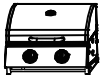
ELEMENT


ASSEMBLY INSTRUCTIONS
ΟΔΗΓΙΕΣ ΣΥΝΑΡΜΟΛΟΓΗΣΗΣ




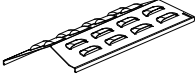


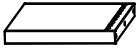
PART QTY


1.  X 1

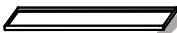
2.  X 1

3.  X 2

4.  X 2

5.  X 2


6.  X 4

7.  X 1


8.  X 1

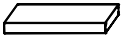
9.  X 1

10.  X 1

11.  X 2

12.  X 2

13.  X 1

14.  X 1

15.  X 2

18.  X 1

19.  X 1

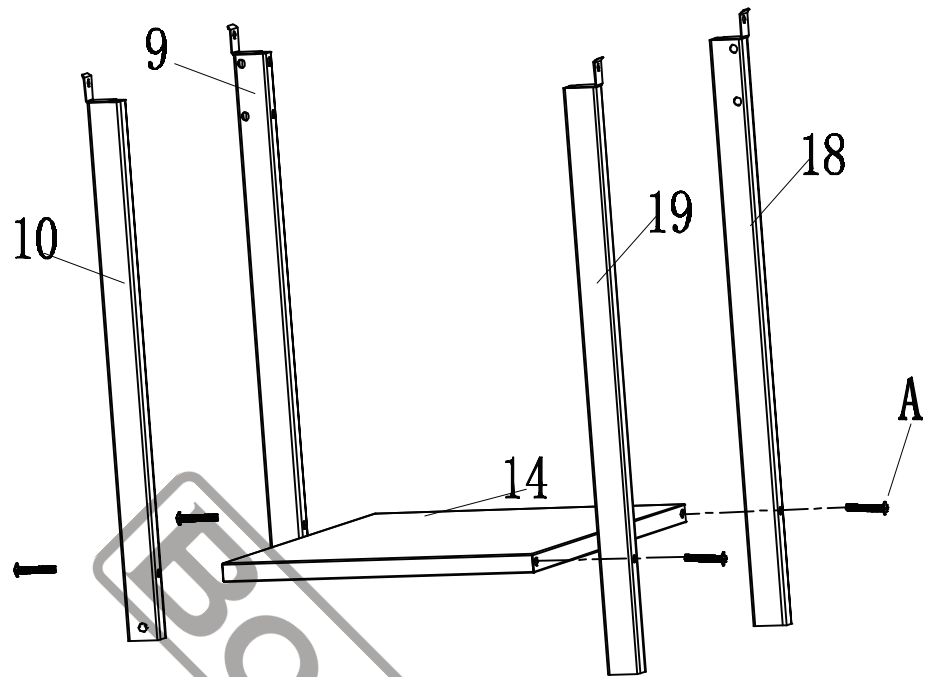
PART QTY

A.  X 4

B.  X 36

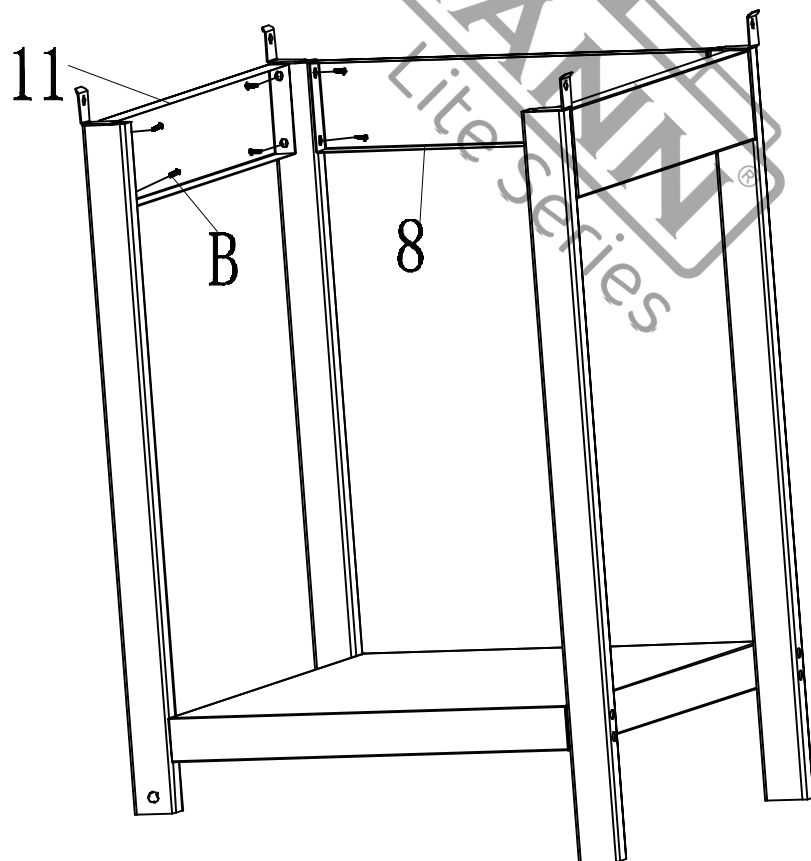
C.  X 2

BORMANN
Lite Series



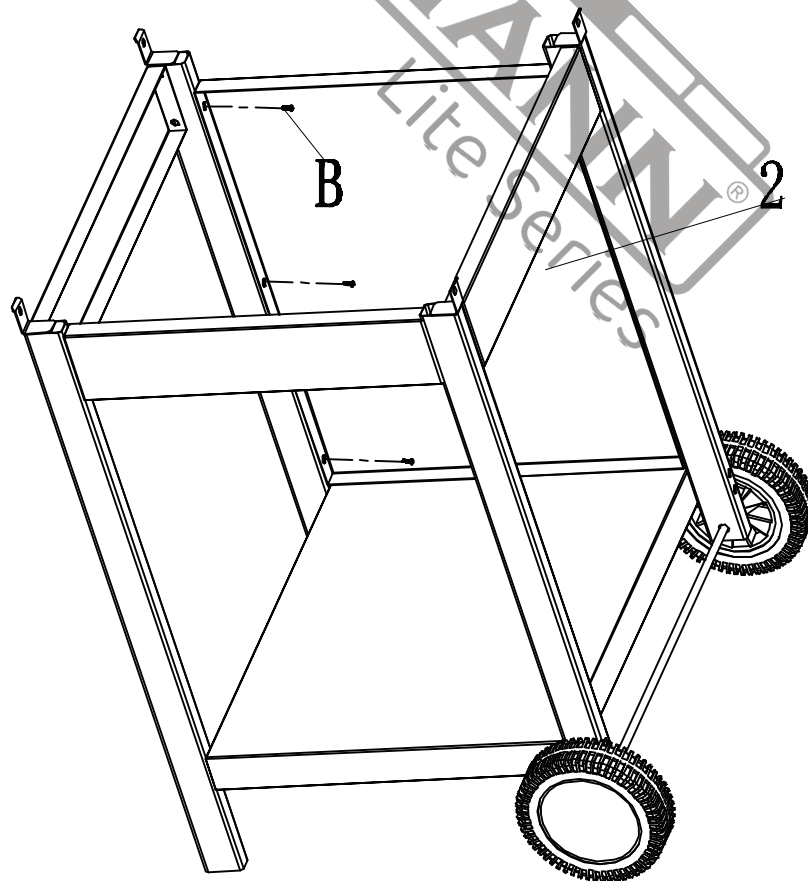
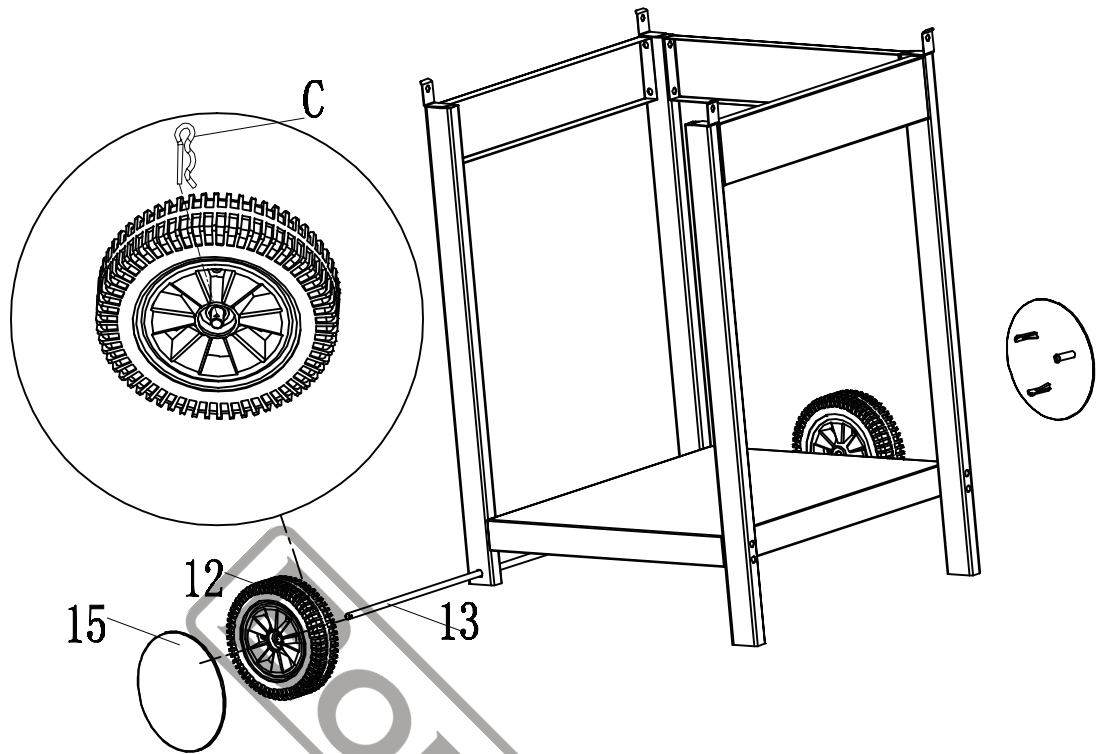
1

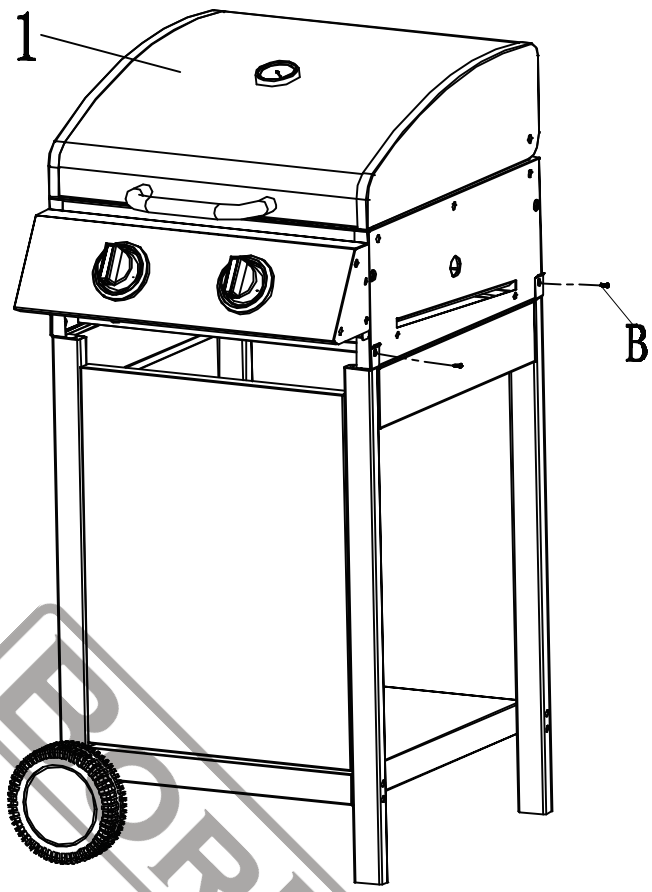
A X 4



2

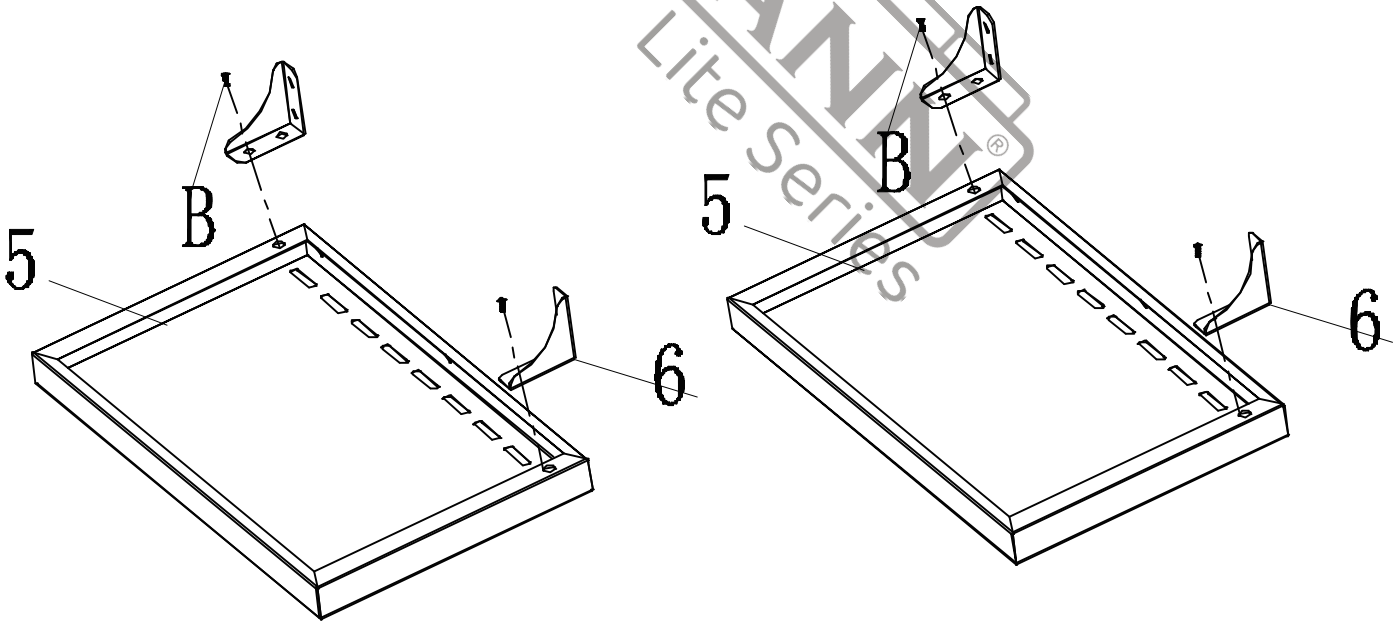
B X 12





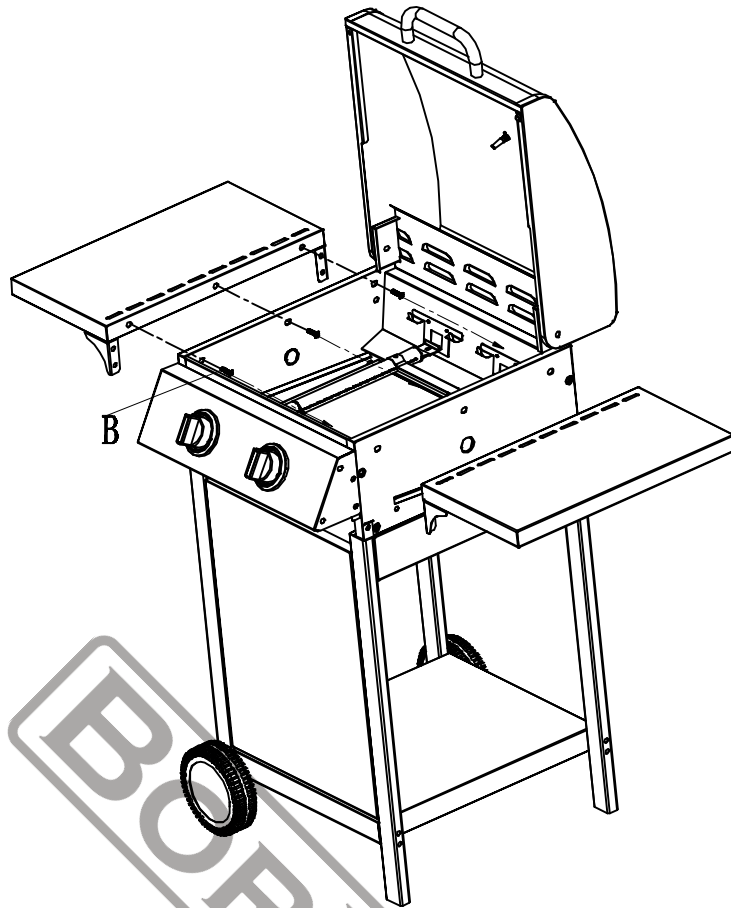
5

B X 4



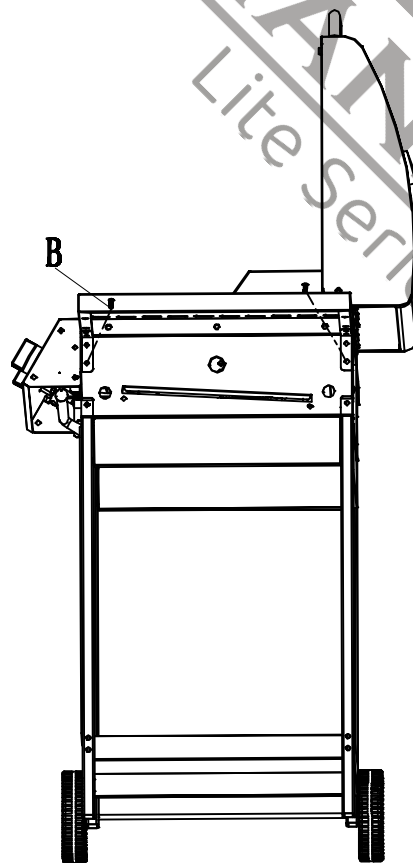
6

B X 4



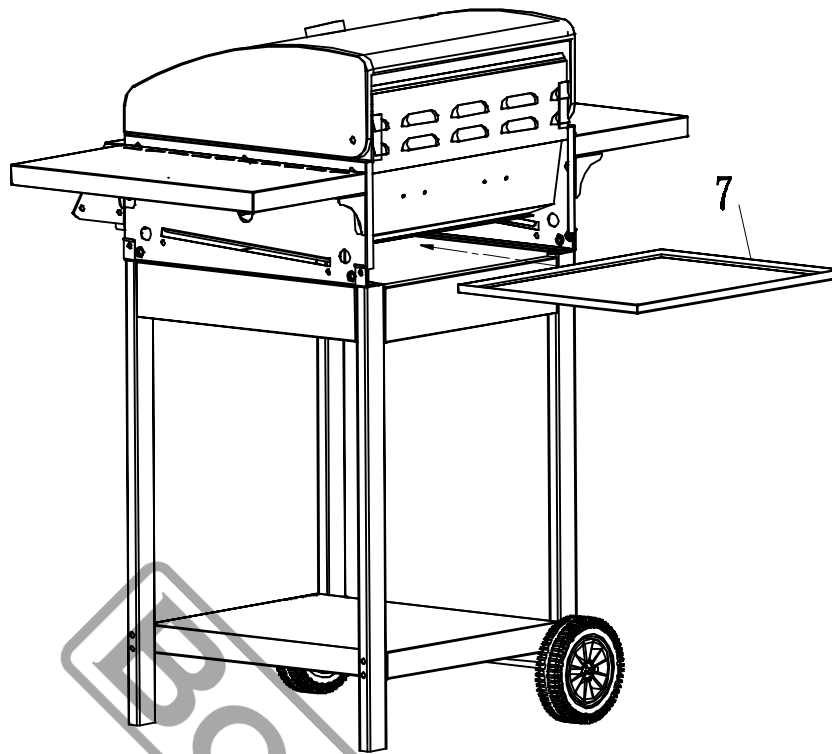
7

B X 6

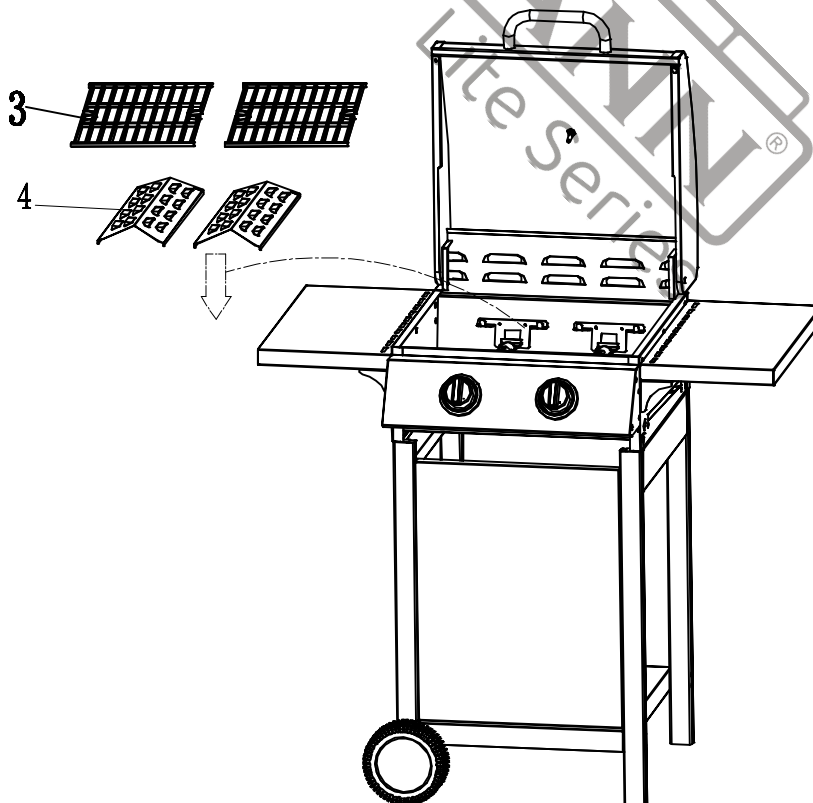


8

B X 4



9



10

EL

Οι ψησταριές έχουν κατασκευαστεί με αυστηρά πρότυπα που έχει θέσει η εταιρεία και τα οποία συνάδουν με τα ευρωπαϊκά πρότυπα ποιότητας. Για τις ψησταριές της εταιρείας μας παρέχεται περίοδος εγγύησης 24 μηνών. Η ισχύς της εγγύησης ξεκινά από την ημερομηνία αγοράς του προϊόντος. Αποδεικτικό του δικαιώματος της εγγύησης αποτελεί το παραστατικό αγοράς της ψησταριάς (απόδειξη λιανικής ή τιμολόγιο). Σε καμία περίπτωση η εταιρεία δεν καλύπτει τη σχετική δαπάνη ανταλλακτικών και εργασίας εάν και εφόσον δε συνοδεύεται από αντίγραφο του παραστατικού. Σε περίπτωση που η επισκευή πρέπει να γίνει στο service μας η δαπάνη μεταφοράς (από και προς) βαρύνει εξ' ολοκλήρου τον αποστολέα. Οι ψησταριές αποστέλλονται για την επισκευή τους στην εταιρεία ή σε εξουσιοδοτημένο συνεργείο με τον ενδεδειγμένο τρόπο καθώς και μέσο μεταφοράς.

ΕΞΑΙΡΕΣΕΙΣ ΚΑΙ ΠΕΡΙΟΡΙΣΜΟΙ ΤΗΣ ΕΓΓΥΗΣΗΣ:

- 1) Φυσιολογική φθορά λόγω χρήσης (αναλώσιμα εξαρτήματα).
- 2) Ζημιές που οφείλονται γενικώς σε μη συμμόρφωση με τις οδηγίες του κατασκευαστή.
- 3) Ελλιπής συντήρηση.
- 4) Χρήση μη ενδεδειγμένων καθαριστικών ή εξαρτημάτων.
- 5) Παραχώρηση προϊόντος σε τρίτο πρόσωπο χωρίς επιβάρυνση.
- 6) Βλάβη ή κακή λειτουργία που έχει προκύψει από πλημμελή καθαρισμό της ψησταριάς.
- 8) Επαφή της ψησταριάς με χημικά, ή βλάβη από υγρασία, διάβρωση.
- 9) Ψησταριές που έχουν υποστεί τροποποιήσεις – αλλαγές ή στις οποίες έχει γίνει επέμβαση από μη εξουσιοδοτημένο συνεργείο.
- 10) Ψησταριές που χρησιμοποιούνται για ενοικίαση.

Η εγγύηση καλύπτει αποκλειστικά τη δωρεάν αντικατάσταση του εξαρτήματος που έχει κατασκευαστικό ελάττωμα ή αστοχία υλικού. Σε περίπτωση έλλειψης ανταλλακτικού η εταιρεία διατηρεί το δικαίωμα αντικατάστασης της ψησταριάς με άλλο αντίστοιχο μοντέλο. Μετά τη διεκπεραίωση εγγύησης δεν επιμηκύνεται ούτε ανανεώνεται ο χρόνος εγγύησης της ψησταριάς. Τα ανταλλακτικά ή οι ψησταριές οι οποίες αντικαθίστανται παραμένουν στην κατοχή της εταιρείας μας. Άλλες απαιτήσεις, εκτός από αυτές που αναφέρονται σε αυτό το έντυπο εγγύησης δεν ισχύουν. Για την εγγύηση αυτή ισχύει το ελληνικό δίκαιο.

EN

The gas grills have been manufactured according to strict standards, set by our company, which are aligned with the respective European quality standards. The gas grills of our company are provided with a warranty period of 24 months for non-professional use. The warranty is valid from the date of purchase of the product. Proof of the warranty right is the purchase document of the gas grill (retail receipt or invoice). Under no circumstances shall the company cover the relevant cost of spare parts and respective required working hours unless a copy of the purchase document is presented. In case the repair has to be done by our service department the cost of transportation (to and from) is entirely borne by the sender (client). The gas grills must be sent for repair to the company or to an authorized workshop in the appropriate way and means of transport.

WARRANTY EXEMPTIONS AND RESTRICTIONS:

- 1) Spare parts that wear out naturally as a consequence of being used (expendable parts).
- 2) Gas grills damaged as a result of non-compliance with the instructions of the manufacturer.
- 3) Gas grills poorly maintained.
- 4) Use of improper detergents or accessories.
- 5) Gas grills given to third entities free of charge.
- 6) Damage or malfunction resulting from improper cleaning procedure of the grill gas.
- 7) Contact of the grill gas with chemicals, or damage as a result of moisture or corrosion.
- 8) Gas grills that have been modified or opened by unauthorized personnel.
- 9) Gas grills used for rent.

The warranty covers only the free of charge replacement of the component that presents a manufacturing defect or material failure. In case of lack of a specific spare part the company reserves the right to replace the gas grill with another corresponding model. After all warranty procedures have been concluded, the warranty period of the gas grill shall not be extended or renewed. The spare parts or gas grills that are replaced remain in the possession of our company. Requirements, other than those mentioned in this warranty form, regarding gas grills repairs or damage thereof, do not apply. Greek law and relative regulations apply to this warranty.

FR

Les grils à gaz ont été fabriqués selon des normes strictes, établies par notre société et se sont alignés sur les normes de qualité européennes respectives. Les grils à gaz de notre société sont fournis avec une période de garantie de 24 mois pour une utilisation non professionnelle. La garantie est valable à partir de la date d'achat du produit. La preuve du droit à la garantie est le document d'achat du gril à gaz (ticket de caisse ou facture). En aucun cas, la société ne couvrira le coût des pièces de rechange et des heures de travail nécessaires si une copie du document d'achat n'est pas présentée. Si la réparation doit être effectuée par notre service après-vente, les frais de transport (aller et retour) sont entièrement à la charge de l'expéditeur (client). Les grils à gaz doivent être envoyés pour réparation à l'entreprise ou à un atelier agréé, de la manière et avec le moyen de transport appropriés.

EXEMPTIONS ET RESTRICTIONS DE GARANTIE:

- 1) Les pièces de rechange qui s'usent naturellement suite à leur utilisation (pièces consommables).
- 2) Des grils à gaz endommagés à la suite du non-respect des instructions du fabricant.
- 3) Des grils à gaz mal entretenus.
- 4) Après d'une utilisation de détergents ou d'accessoires inadaptés.
- 5) Les grils à gaz donnés à des tiers à titre gratuit.
- 6) Dommages ou dysfonctionnements résultant d'une procédure de nettoyage inadéquate du gaz du gril.
- 7) À cause de contact du gaz du gril avec des produits chimiques, ou dommages résultant de l'humidité ou de la corrosion.
- 8) Les grils à gaz qui ont été modifiés ou ouverts par du personnel non autorisé.
- 9) Les grils à gaz utilisés pour la location.

La garantie couvre uniquement le remplacement gratuit de l'élément qui présente un défaut de fabrication ou une défaillance matérielle. En cas d'absence d'une pièce de rechange spécifique, la société se réserve le droit de remplacer le gril à gaz par un autre modèle correspondant. Après la conclusion de toutes les procédures de garantie, la période de garantie du gril à gaz ne sera pas prolongée ou renouvelée. Les pièces de rechange ou les grils à gaz remplacés restent en possession de notre société. Les exigences, autres que celles mentionnées dans ce formulaire de garantie, concernant les réparations des grils à gaz ou leurs dommages, ne s'appliquent pas.

La loi grecque et ses règlements s'appliquent à cette garantie.

EN

GARANTIE

This appliance is a quality product. It was designed in compliance with current technical standards and made carefully using normal, good quality materials. The warranty period is 24 months and commences on the date of purchase, which can be verified by the receipt, invoice or delivery note. During this warranty period all functional errors, which, despite the careful treatment described in our operating manual, are verifiably due to material flaws, will be rectified by our after-sales service staff. The warranty takes the form that defective parts will be repaired or replaced with perfect parts free of charge at our discretion. Replaced parts will become our property. Repair work or the replacement of individual parts will not extend the warranty period nor will it result in a new warranty period being commenced for the appliance. No separate warranty period will commence for spare parts that may be used. We cannot offer a warranty for damage and defects on appliances or their parts caused by the use of excessive force, improper treatment and servicing. This also applies for failures to comply with the operating manual and the installation or spare and accessory parts that are not included in our range of products. In the event of interference with or modifications to the appliance by unauthorized persons, the warranty will be rendered void. Damages that are attributable to improper handling, over loading, or natural wear and tear are excluded from the guarantee. Damages caused by the manufacturer or by a material defect will be corrected at no charge by repair or by providing spare parts. The prerequisite is that the equipment is handed over assembled, and complete with the proof of sale and guarantee. For a guarantee claim, only use the original packaging. That way, we can guarantee quick and smooth guarantee processing. Please send us the appliances post-paid or request a Freeway sticker. Unfortunately we will be unable to accept appliances that are not postpaid. The warranty does not cover parts that are subject to natural wear and tear. If you wish to make a warranty claim, report faults or order spare parts or accessories, please contact the after-sales center below: Subject to change without prior notice.

DE

GARANTIE

Dieses Gerät ist ein Qualitätsprodukt. Es wurde gemäß den aktuellen technischen Standards entworfen und sorgfältig mit normalen, hochwertigen Materialien hergestellt. Die Gewährleistungsfrist beträgt 24 Monate und beginnt mit dem Kaufdatum, was anhand von Quittung, Rechnung oder Lieferschein überprüft werden kann. Während dieser Garantiezeit werden alle Funktionsfehler, die trotz der in unserer Bedienungsanleitung beschriebenen sorgfältigen Behandlung nachweislich auf Materialfehler zurückzuführen sind, von unseren Kundendienstmitarbeitern behoben. Die Garantie besteht in der Form, dass defekte Teile nach unserem Ermessen kostenlos repariert oder durch einwandfreie Teile ersetzt werden. Ersetzte Teile werden unser Eigentum. Reparaturarbeiten oder der Austausch einzelner Teile verlängern die Garantiezeit nicht und führen nicht zu einer neuen Garantiezeit für das Gerät. Für eventuell verbrauchte Ersatzteile beginnt keine gesonderte Gewährleistungsfrist. Wir können keine Garantie für Schäden und Mängel an Geräten oder deren Teilen geben, die durch übermäßige Gewaltanwendung, unsachgemäße Behandlung und Wartung verursacht wurden. Dies gilt auch für die Nichtbeachtung der Bedienungsanleitung und der Montage- oder Ersatz- und Zubehörteile, die nicht in unserem Sortiment enthalten sind. Bei Eingriffen in die Änderung durch unbefugte Personen am Gerät erlischt die Garantie. Schäden, die auf unsachgemäße Behandlung, Überlastung oder natürliche Abnutzung zurückzuführen sind, sind von der Garantie ausgeschlossen. Schäden, die vom Hersteller oder durch einen Materialfehler verursacht werden, werden durch Reparatur oder Ersatzteillieferung kostenlos behoben. Voraussetzung ist, dass das Gerät zusammen mit dem Verkaufsbeleg und der Garantie zusammengebaut übergeben wird. Verwenden Sie für einen Garantieanspruch nur die Originalverpackung. Auf diese Weise können wir eine schnelle und reibungslose Garantieabwicklung garantieren. Bitte schicken Sie uns die Geräte im Nachhinein oder fordern Sie einen Freeway-Aufkleber an. Geräte, die nicht nachbezahlt werden, können wir leider nicht akzeptieren. Die Garantie erstreckt sich nicht auf Teile, die einem natürlichen Verschleiß unterliegen. Wenn Sie einen Garantieanspruch geltend machen, Fehler melden oder Ersatzteile oder Zubehör bestellen möchten, wenden Sie sich bitte an das Kundendienstcenter: Änderungen vorbehalten.

FR

GARANTIE

Cet appareil est un produit de qualité. Il a été conçu conformément aux normes techniques en vigueur et fabriqué avec soin à l'aide de matériaux usuels et de qualité. La période de garantie est de 24 mois et débute à la date d'achat. Elle peut être vérifiée sur le reçu, la facture ou le bon de livraison. Pendant cette période de garantie, toutes les erreurs de fonctionnement qui, malgré le traitement minutieux décrit dans notre manuel d'utilisation, sont dues à des défauts matériels, seront corrigées par notre service après-vente. La garantie prend la forme que les pièces défectueuses seront réparées ou remplacées par des pièces parfaites gratuitement à notre discrétion. Les pièces remplacées deviendront notre propriété. Les travaux de réparation ou le remplacement de pièces individuelles ne prolongeront pas la période de garantie et n'entraîneront pas le début d'une nouvelle période de garantie pour l'appareil. Aucune période de garantie séparée ne commencera pour les pièces de rechange susceptibles d'être utilisées. Nous ne pouvons pas offrir de garantie pour les dommages et les défauts des appareils ou de leurs pièces causés par l'utilisation d'une force excessive, un traitement ou un entretien inapproprié. Ceci s'applique également aux cas de non-respect du manuel d'utilisation et de l'installation ou des pièces détachées et accessoires non compris dans notre gamme de produits. En cas d'interférence avec des modifications apportées à l'appareil par des personnes non autorisées, la garantie sera annulée. Les dommages résultant d'une mauvaise manipulation, d'un chargement excessif ou d'une usure naturelle sont exclus de la garantie. Les dommages causés par le fabricant ou par un défaut matériel seront corrigés gratuitement par la réparation ou par la fourniture de pièces de rechange. La condition préalable est que le matériel soit remis assemblé et accompagné de la preuve de vente et de la garantie. Pour une demande de garantie, utilisez uniquement l'emballage d'origine. De cette manière, nous pouvons garantir un traitement rapide et sans heurts des garanties. S'il vous plaît envoyez-nous les appareils post-payés ou demandez un autocollant Freeway. Malheureusement, nous ne pourrions pas accepter les appareils non post-payés. La garantie ne couvre pas les pièces soumises à une usure naturelle. Si vous souhaitez faire une demande de garantie, signaler un défaut ou commander des pièces de rechange ou des accessoires, veuillez contacter le service après-vente ci-dessous: Sujet à modification sans préavis.

ESP

GARANTÍA

Este aparato es un producto de calidad. Fue diseñado de acuerdo con las normas técnicas actuales y se hizo con cuidado utilizando materiales normales y de buena calidad. El período de garantía es de 24 meses y comienza en la fecha de compra, que puede verificarse mediante el recibo, la factura o la nota de entrega. Durante este período de garantía, todos los errores funcionales que, a pesar del tratamiento cuidadoso que se describen en nuestro manual de operación, son verificables debido a fallas materiales, serán corregidos por nuestro personal de servicio postventa. La garantía adquiere la forma de que las piezas defectuosas se repararán o reemplazarán con piezas perfectas de forma gratuita a nuestra discreción. Las partes reemplazadas se convertirán en nuestra propiedad. Los trabajos de reparación o el reemplazo de piezas individuales no ampliarán el período de garantía, no dará lugar a que se comience un nuevo período de garantía para el aparato. No se iniciará ningún período de garantía por separado para las piezas de repuesto que puedan ser utilizadas. No podemos ofrecer una garantía por daños y defectos en los aparatos o sus partes causados por el uso excesivo de la fuerza, el tratamiento y el servicio incorrectos. Esto también se aplica a las fallas en el cumplimiento del manual de operación y la instalación o piezas de repuesto y accesorios que no están incluidos en nuestra gama de productos. En caso de interferencia con modificaciones al aparato por parte de personas no autorizadas, la garantía quedará anulada. Los daños que son atribuibles a un manejo inadecuado, sobrecarga o desgaste natural están excluidos de la garantía. Los daños causados por el fabricante o por un defecto de material se corregirán sin costo alguno por reparación o proporcionando piezas de repuesto. El requisito previo es que el equipo se entregue ensamblado y se complete con el comprobante de venta y garantía. Para una reclamación de garantía, utilice únicamente el embalaje original. De esta manera, podemos garantizar un rápido y suave procesamiento de garantías. Por favor, envíenos los electrodomésticos con pospago o solicite una etiqueta de Freeway. Lamentablemente, no podremos aceptar aparatos que no sean de pospago. La garantía no cubre las piezas que están sujetas a desgaste natural. Si desea realizar un reclamo de garantía, informar fallas o solicitar piezas de repuesto o accesorios, comuníquese con el centro de postventa a continuación: Sujeto a cambios sin previo aviso.

IT

GARANZIA

Questo apparecchio è un prodotto di qualità. È stato progettato in conformità con le attuali norme tecniche e realizzato con attenzione utilizzando materiali normali di buona qualità. Il periodo di garanzia è di 24 mesi e decorre dalla data di acquisto, che può essere verificata tramite ricevuta, fattura o bolla di consegna. Durante questo periodo di garanzia tutti gli errori funzionali, che, nonostante l'accurato trattamento descritto nel nostro manuale operativo, sono verificabili a causa di difetti dei materiali, verranno risolti dal nostro personale di assistenza post-vendita. La garanzia assume la forma che le parti difettose saranno riparate o sostituite con parti perfette gratuitamente a nostra discrezione. Le parti sostituite diventeranno di nostra proprietà. I lavori di riparazione o la sostituzione di singole parti non prolungheranno il periodo di garanzia, poiché non si verificherà un nuovo periodo di garanzia per l'apparecchio. Non inizierà alcun periodo di garanzia separato per i pezzi di ricambio che possono essere utilizzati. Non possiamo offrire una garanzia per danni e difetti su apparecchi o loro parti causati dall'uso di forza eccessiva, trattamento e manutenzione inadeguati. Ciò vale anche per il mancato rispetto del manuale operativo e delle parti di installazione o di ricambio e accessori non inclusi nella nostra gamma di prodotti. In caso di interferenza con modifiche all'apparecchio da parte di persone non autorizzate, la garanzia sarà invalidata. Sono esclusi dalla garanzia i danni riconducibili a uso improprio, sovraccarico o usura naturale. I danni causati dal produttore o da un difetto materiale verranno corretti gratuitamente mediante riparazione o fornitura di pezzi di ricambio. Il presupposto è che l'attrezzatura sia consegnata assemblata e completa con la prova di vendita e garanzia. Per una richiesta di garanzia, utilizzare solo la confezione originale. In questo modo, possiamo garantire un'elaborazione della garanzia rapida e agevole. Vi preghiamo di inviarcì gli elettrodomestici post-pagamento o richiedere un adesivo Freeway. Purtroppo non saremo in grado di accettare apparecchi che non sono postpagati. La garanzia non copre parti soggette a usura naturale. Se si desidera presentare una richiesta di intervento in garanzia, segnalare guasti o ordinare pezzi di ricambio o accessori, contattare il centro assistenza di seguito: soggetto a modifiche senza preavviso.

SLO

GARANCIJA

Ta aprava je kakovosten izdelek. Zasnovan je bil v skladu z veljavnimi tehničnimi standardi in skrbno izdelan z običajnimi, kakovostnimi materiali. Garancijsko obdobje je 24 mesecev in se začne na dan nakupa, ki ga je mogoče preveriti s potrdilom o prejemu, računom ali dobavnico. V času garancijskega roka bodo vse funkcionalne napake, ki so kljub skrbni obdelavi, opisani v naših navodilih za uporabo, preverljive zaradi materialnih napak, odpravile naše servisno osebje. Garancija prevzame obliko, da bodo okvarjeni deli po lastni presoji brezplačno popravljivi ali zamenjani z brezhibnimi deli. Zamenjani deli bodo postali naša last. Popravila ali zamenjava posameznih delov ne podaljšujejo garancijskega roka, dokler ne začne veljati nova garancijska doba za napravo. Za rezervne dele, ki se lahko pojavijo, se ne bo začelo ločeno garancijsko obdobje. Ne moremo ponuditi garancije za poškodbe in napake na napravah ali njihovih delih zaradi uporabe prekomerne sile, nepravilne obdelave in servisiranja. To velja tudi za neupoštevanje navodil za uporabo in namestitve ali rezervnih delov in dodatkov, ki niso vključeni v našo paleto izdelkov. V primeru motenj v napravi s strani nepooblaščenih oseb, se garancija razveljavi. Poškodbe, ki so posledica nepravilnega ravnanja, obremenitve ali naravne obrabe, so izključene iz garancije. Poškodbe, ki jih povzroči proizvajalec ali materialna napaka, se bodo popravile ali popravile z zagotavljanjem rezervnih delov. Predpogoj je, da se oprema preda sestavljena in skupaj z dokazilom o prodaji in garancijo. Za garancijski zahtevek uporabite samo originalno embalažo. Tako lahko zagotovimo hitro in gladko obdelavo garancij. Prosimo, pošljite nam naprave po plačilu ali zahtevajte nalepko za Freeway. Na žalost ne bomo mogli sprejeti naprav, ki niso postpaid. Garancija ne zajema delov, ki so predmet naravne obrabe. Če želite vložiti zahtevek za garancijo, prijaviti napake ali naročiti nadomestne dele ali dodatno opremo, se obrnite na spodnji prodajni center: Pridržujemo si pravico do sprememb brez predhodnega obvestila.

MLT

GARANYIJA

Dan l-apparat huwa prodott ta 'kwalità. Kienet imfassla f'konformità mal-istandards tekniċi attwali u saret b'attenzjoni bl-użu ta 'materjali normali u ta' kwalità tajba. Il-perjodu tal-garanzija huwa ta '24 xahar u jibda fid-data tax-xiri, li jista' jiġi vverifikat bir-riċevuta, fattura jew nota tal-kunsinna. Matul dan il-perjodu ta 'garanzija l-iżbalji funzjonali kollha, li, minkejja t-trattament bir-reqqa deskritt fil-manwal operattiv tagħna, huma verifikabbli minħabba difetti materjali, se jiġu kkoreġuti mill-istaff tagħna tas-servizz ta' wara l-bejgħ. Il-garanzija tieġu l-forma li partijiet difettużi se jissewwew jew jiġu sostitwiti bi partijiet perfetti bla ħlas fid-diskrezzjoni tagħna. Partijiet mibdula jsiru proprjetà tagħna. Ix-xogħol ta 'tiswija jew is-sostituzzjoni ta' partijiet individuali ma jestendux il-perjodu ta 'garanzija mhux se jirriżulta f'li jibda perjodu ġdid ta' garanzija għall-apparat. Ma jibda l-ebda perjodu ta 'garanzija separat għal spare parts li jistgħu jiġu ted. Ma nistgħux noffru garanzija għal ħsara u difetti fuq l-apparat jew il-partijiet tagħhom ikkawżati mill-użu ta 'forza eċċessiva, trattament mhux xieraq u manutenzjoni. Dan japplika wkoll għal nuqqasijiet ta 'konformità mal-manwal tat-tħaddim u l-installazzjoni jew partijiet ta' rikambju u aċċessorji li mhumiex inkluzi fil-firxa ta 'prodotti tagħna. Fil-każ ta 'interferenza ma' modifiki fl-apparat minn persuni mhux awtorizzati, il-garanzija ssir nulla. Ħsarat li huma attribwiti għal immaniġġjar ħazin, tagħbija żejda, jew xedd u kedd naturali huma esklużi mill-garanzija. Danni kkawżati mill-manifattur jew minn difett materjali se jiġu kkoreġuti mingħajr ħlas permezz ta 'tiswija jew billi jiġu pprovduti spare parts. Il-prekwiżit huwa li t-tagħmir jiġi mghoddi immuntat, u komplut bil-prova tal-bejgħ u l-garanzija. Għal talba ta 'garanzija, uża biss l-imballaġġ originali. B'dan il-mod, nistgħu niggarantixxu proċessar ta 'garanzija malajr u bla xkiel. Jekk jogħġbok ibgħatilna l-appliances post-paid jew itlob stiker tal-Freeway. Sfortunatament ma nkunux nistgħu naċċettaw apparat li ma jithallasx wara. Il-garanzija ma tkoprix partijiet li huma soġġetti għal ilbies u kedd naturali. Jekk tixtieq tagħmel talba għall-garanzija, irrapporta ħsarat jew tordna spare parts jew aċċessorji, jekk jogħġbok ikkuntattja ċ-ċentru ta 'wara l-bejgħ hawn taħt: Soġġett għal bidla mingħajr avviz minn qabel.

SK

ZÁRUKA

Tento spotřebič je kvalitní výrobek. Bol navrhnutý v súlade s platnými technickými normami a opatrne používal bežné a kvalitné materiály. Záručná ehota je 24 mesiacov a začína plynúť dátumom nákupu, ktorý je možné overiť potvrdením, faktúrou alebo dodacím listom. Počas tejto záručnej lehoty všetky funkčné chyby, ktoré napriek starostlivej úprave popísanej v našom návode na obsluhu sú overiteľné z dôvodu materiálnych nedostatkov, opravia naši pracovníci popredajného servisu. Záruka má formu, že vadné časti budú opravené alebo nahradené perfektnými dielmi bezplatne podľa nášho uváženia. Nahradené diely sa stanú našimi vlastnosťami. Opravné práce alebo výmena jednotlivých dielov predĺženie záručnej lehoty nevedie k vzniku novej záručnej lehoty pre spotrebič. Za náhradné diely, ktoré môžu byť dodané, sa nezačína samostatná záručná lehota. Nemôžeme popúknuť záruku na poškodenie a poškodenie spotrebičov alebo ich častí spôsobené nadmernou silou, nesprávnou obsluhou a servisom. Platí to aj pre poruchy v súlade s návodom na obsluhu a inštaláciou alebo náhradnými dielmi a príslušenstvom, ktoré nie sú súčasťou našej ponuky. V prípade zásahu do modifikácie spotrebiča neoprávnenými osobami sa záruka stane neplatnou. Škody, ktoré sú spôsobené nesprávnou manipuláciou, nadmerným zaťažením alebo prirodzeným opotrebovaním, sú z záruky vylúčené. Škody spôsobené výrobcom alebo chybou materiálu budú opravené bezplatne opravou alebo poskytnutím náhradných dielov. Predpokladom je, že zariadenie je odovzdané a kompletne s dokladom o predaji a zárukou. Pokiaľ ide o nárok na záruku, použite iba pôvodný obal. Týmto spôsobom môžeme zaručiť rýchle a plynulé spracovanie záruky. Pošlite nám, prosím, spotrebiče, ktoré ste už zaplatili, alebo požiadajte o nálepku Freeway. Bohužiaľ nebudeme môcť prijať zariadenia, ktoré nie sú vyplatené. Záruka sa nevzťahuje na časti, ktoré sú vystavené prirodzenému opotrebovaniu. Ak chcete požiadať o záruku, oznámíť chyby alebo objednať náhradné diely alebo príslušenstvo, obráťte sa na nižšie uvedené stredisko popredajného servisu: Podliehajú zmenám bez predchádzajúceho upozornenia.

BG **ГАРАНЦИЯ**

Този уред е качествен продукт. Той е проектиран в съответствие с действащите технически стандарти и е направен внимателно при използване на нормални, качествени материали. Гаранционният срок е 24 месеца и започва да тече от датата на покупката, която може да бъде потвърдена с квитанция, фактура или документ за доставка. По време на този гаранционен период всички функционални грешки, които, въпреки внимателното третиране, описано в нашето ръководство за експлоатация, са проверими поради материални недостатъци, ще бъдат отстранени от нашия сервизен персонал. Гаранцията приема формата, в която дефектните части ще бъдат ремонтирани или заменени с перфектни части безплатно по наше усмотрение. Подменените части ще станат наша собственост. Ремонтните работи или подмяната на отделни части няма да удължат гаранционния срок, без това да доведе до започване на нов гаранционен период за уреда. За резервни части, които могат да бъдат поставени, няма да започне отделен гаранционен срок. Не можем да предложим гаранция за повреди и дефекти на уредите или техните части, причинени от използването на прекомерна сила, неправилно третиране и обслужване. Това важи и за неспазване на ръководството за експлоатация и инсталацията, както и резервни и допълнителни части, които не са включени в нашата гама от продукти. В случай на намеса в модификации на уреда от неупълномощени лица, гаранцията ще бъде премахната. Щети, които се дължат на неправилно боравене, натоварване или естествено износване, са изключени от гаранцията. Щети, причинени от производителя или от дефект на материала, ще бъдат поправени без заплащане чрез ремонт или чрез предоставяне на резервни части. Предпоставка е оборудването да се съглобява и да се допълни с доказателство за продажба и гаранция. За гаранционна претенция използвайте само оригиналната опаковка. По този начин можем да гарантираме бърза и гладка обработка на гаранциите. Моля, изпратете ни уредите след плащане или заявете стикер на Freeway. За съжаление няма да можем да приемаме уреди, които не са с абонамент. Гаранцията не покрива части, които са обект на естествено износване. Ако желаете да направите гаранционна претенция, да съобщите за неизправности или да поръчате резервни части или аксесоари, моля свържете се с центъра за поддръжка по-долу: Подлежи на промяна без предизвестие.

RO **GARANȚIE**

Acest aparat este un produs de calitate. A fost proiectat în conformitate cu standardele tehnice actuale și a făcut cu atenție materiale normale, de bună calitate. Perioada de garanție este de 24 de luni și începe la data cumpărării, care poate fi verificată prin chitanță, factură sau buletin de livrare. În timpul acestor perioade de garanție, toate erorile funcționale, care, în ciuda tratamentului atent descris în manualul nostru de utilizare, sunt verificabile din cauza defectelor materiale, vor fi rectificate de personalul nostru de service post-vânzare. Garanția ia forma faptului că piesele defecte vor fi reparate sau înlocuite cu piese perfecte gratuit, la discreția noastră. Piesele înlocuite vor deveni proprietatea noastră. Lucrările de reparații sau înlocuirea pieselor individuale nu vor prelungi perioada de garanție, deoarece nu vor duce la începerea unei noi perioade de garanție pentru aparat. Nu se va începe nici o perioadă de garanție separată pentru piesele de schimb care pot fi incluse. Nu putem oferi o garanție pentru defecțiunile și defectele aparatelor sau ale pieselor acestora cauzate de utilizarea forței excesive, tratarea necorespunzătoare și întreținerea. Acest lucru se aplică și în caz de nerespectare a manualului de utilizare și a pieselor de instalare sau de rezervă și accesoriilor care nu sunt incluse în gama noastră de produse. În caz de interferență cu modificările aduse aparatului de către persoane neautorizate, garanția va fi anulată. Daunele care pot fi atribuite manipulării necorespunzătoare, supraîncălzirii sau uzurii naturale sunt excluse din garanție. Deteriorările cauzate de producător sau de un defect material vor fi corectate gratuit, prin reparații sau prin furnizarea de piese de schimb. Condiția prealabilă este ca echipamentul să fie predat în asamblare și să fie completat cu dovada vânzării și a garanției. Pentru o cerere de garanție, utilizați numai ambalajul original. În acest fel, putem garanta procesarea rapidă și fără probleme a garanției. Trimiteți-ne aparatele post-plătite sau solicitați un autocolant Freeway. Din păcate, nu vom putea accepta dispozitive care nu sunt plătite post-paid. Garanția nu acoperă piese care sunt supuse uzurii naturale. Dacă doriți să solicitați o garanție, să semnați defecțiuni sau să comandați piese de schimb sau accesoriile, vă rugăm să contactați centrul de asistență tehnică de mai jos: Pot fi modificate fără o notificare prealabilă.

NMK **ГАРАНЦИЈА**

страна на нашите сервисни служби. Гаранцијата е во форма која дефектните делови ќе бидат поправени или заменети со совршени делови бесплатно по наша дискреција. Заменетите делови ќе станат наш сопственост. Поправки или замена на поединечни делови нема да го продолжат гарантниот рок, туку ќе резултира со започнување на нов гарантен рок за апаратот. Нема да отпочне одделен гарантен рок за резервни делови што може да се користат. Не можеме да понудиме гаранција за оштетувања и дефекти на апаратите или нивните делови предизвикани од употреба на прекумерна сила, неправилен третман и сервисирање. Ова исто така важи и за неуспехот да се усогласат со оперативниот прирачник и инсталационите или резервните и помошни делови што не се вклучени во нашиот асортиман на производи. Во случај на пречки во промените на апаратот од страна на неовластени лица, гаранцијата ќе биде поништена. Оштетувањата што се припишуваат на неправилно ракување, над товарење или природна употреба се исклучени од гаранцијата. Оштетувањата предизвикани од производителот или од материјален дефект ќе бидат поправени без надомест со поправка или со обезбедување на резервни делови. Предуслов е дека опремата е предадена собрани, а заврши со доказ за продажба и гаранција. За барање за гаранција, користете го оригиналното пакување. На тој начин можеме да гарантираме брза и непречена обработка на гаранциите. Ве молиме испратете ги апаратите пост-пејд или побарајте налепница со Freeway. За жал нема да можеме да прифатиме апарати кои не се пост-пејд. Гаранцијата не ги покрива деловите што се предмет на природно абеење. Ако сакате да поднесете барање за гаранција, да пријавите грешки или да нарачате резервни делови или додатоци, ве молиме контактирајте го центарот за продавање подолу: Предмет на промена без претходна најава. најава.

HUN **GARANCIÁ**

Ez a készülék minőségi termék. Úgy tervezték, hogy megfeleljen a jelenlegi műszaki szabványoknak, és gondosan, normál, jó minőségű anyagokkal készült. A jótállási idő 24 hónap, és a vásárlás napján kezdődik, amelyet a kézhezvétellel, a számla vagy a kézbesítési értesítés igazolhat. A garanciaidő alatt minden olyan funkcionális hiba, amely az üzemeltetési utasításunkban leírt gondos kezelés ellenére bizonyíthatóan az anyagi hibák miatt következik be, a vevőszolgálatunk javítja. A garancia olyan formája, hogy a hibás alkatrészek javítása vagy cseréje a tökéletes alkatrészekkel ingyenes. A cserélt részek tulajdonunk lesz. A javítási munkák vagy az egyes részek cseréje nem hosszabbítja meg a jótállási időszakot, és nem eredményez új garanciaidő megkezdését a készülék számára. Nincs külön garanciaidő a pótalkatrészek esetén. Nem nyújtunk garanciát a készülékek vagy alkatrészeik károsodására és hibáira a túlzott erő, a helytelen kezelés és a karbantartás miatt. Ez vonatkozik az üzemeltetési utasítás és a telepítés, illetve a tartalék és tartozék alkatrészeinek meg nem felelésére is, amelyek nem tartoznak a termékínalatunkba. Abban az esetben, ha a készülék jogosulatlan személy általi módosításai zavarnak, a garancia érvényét veszti. A nem megfelelő kezelés, a terhelés vagy a természetes kopás okozta károk nem tartoznak a garancia hatálya alá. A gyártó vagy az anyaghiba által okozott károkat a javítás vagy a pótalkatrészek beszerzése nélkül kijavítják. Az előfeltétel az, hogy a berendezést összeszerelték, és az értékesítés és a garancia igazolásával kiegészüljön. A garancia igényléséhez csak az eredeti csomagolást használja. Így garantálhatjuk a gyors és zökkenőmentes garanciafeldolgozást. Kérjük, küldje el nekünk a készüléket utólag fizetett vagy kérjen Freeway matricát. Sajnos nem tudjuk elfogadni a nem utólag fizetett készülékeket. A garancia nem terjed ki a természetes kopásnak kitett alkatrészekre. Ha garanciális igényt kíván nyújtani, hibákat jelenteni vagy pótalkatrészeket vagy tartozékokat rendelni, kérjük, vegye fel a kapcsolatot az alábbi értékesítési központtal: Előzetes értesítés nélkül változhat.

POL

GWARANCJA

To urządzenie jest produktem wysokiej jakości. Został zaprojektowany zgodnie z aktualnymi standardami technicznymi i wykonany starannie przy użyciu zwykłych, dobrej jakości materiałów. Okres gwarancji wynosi 24 miesiące i rozpoczyna się w dniu zakupu, który można zweryfikować za pomocą paragonu, faktury lub dowodu dostawy. W okresie gwarancji wszystkie błędy funkcjonalne, które pomimo starannego traktowania opisanego w naszej instrukcji obsługi, są weryfikowalne przez wady materiałowe, zostaną naprawione przez nasz personel obsługi posprzedażnej. Gwarancja ma formę, w której wadliwe części zostaną naprawione lub wymienione na części zamiennie bezpłatnie według naszego uznania. Wymienione części staną się naszą własnością. Naprawa lub wymiana pojedynczych części nie przedłuża okresu gwarancji, nie spowoduje to rozpoczęcia nowego okresu gwarancyjnego dla urządzenia. Nie rozpocznie się oddzielny okres gwarancji na części zamiennie, które mogą być używane. Nie możemy zaoferować gwarancji na uszkodzenia i usterki urządzeń lub ich części spowodowane użyciem nadmiernej siły, niewłaściwego traktowania i serwisowania. Dotyczy to również nieprzestrzegania instrukcji obsługi i instalacji lub części zamiennych i akcesoriów, które nie są zawarte w naszej ofercie produktów. W przypadku ingerencji w modyfikacje urządzenia przez osoby nieuprawnione, gwarancja zostanie unieważniona. Szkody, które można przypisać niewłaściwej obsłudze, nadmiernemu obciążeniu lub naturalnemu zużyciu, są wyłączone z gwarancji. Uszkodzenia spowodowane przez producenta lub wadę materiałową zostaną naprawione bezpłatnie przez naprawę lub przez dostarczenie części zamiennych. Warunkiem wstępnym jest przekazanie sprzętu w komplecie wraz z dowodem sprzedaży i gwarancją. W przypadku reklamacji należy używać tylko oryginalnego opakowania. W ten sposób możemy zagwarantować szybkie i płynne przetwarzanie gwarancji. Prześlij nam urządzenia post-paid lub zamów naklejkę na autostradę. Niestety nie będziemy mogli akceptować urządzeń, które nie są opłacane za dotu. Gwarancja nie obejmuje części ulegających naturalnemu zużyciu. Jeśli chcesz zgłosić roszczenie gwarancyjne, zgłosić usterki lub zamówić części zamiennie lub akcesoria, skontaktuj się z następującym centrum obsługi posprzedażnej: Zastrzega się możliwość zmian bez uprzedzenia.

ALB

GARANCI

Kjo pajisje është një produkt cilësor. Washtë hartuar në përputhje me standardet aktuale teknike dhe është bërë me kujdes duke përdorur materiale normale, me cilësi të mirë. Periudha e garancisë është 24 muaj dhe fillon në datën e blerjes, e cila mund të vërtetohet me faturën, faturën ose dorëzimin. Gjatë kësaj periudhe garancie, të gjitha gabimet funksionale, të cilat, përkundër trajtimit të kujdesshëm të përshkruar në manualin tonë të funksionimit, janë verifikueshëm për shkak të metave të materialit, do të korrigjohen nga stafi ynë i shërbimit pas shitjes. Garancia merr formën që pjesët e dëmtuara do të riparohen ose zëvendësohen me pjesët e përsosura falas, sipas gjykimit tonë. Pjesët e zëvendësuara do të bëhen pronë jonë. Puna e riparimit ose zëvendësimit i pjesëve individuale nuk do të zgjasë periudhën e garancisë, por nuk do të rezultojë në fillimin e një periudhe të re garancie për pajisjen. Asnjë periudhë e veçantë e garancisë nuk do të fillojë për pjesët rezervë që mund të merren. Ne nuk mund të ofrojmë një garanci për dëmtimin dhe defektet e pajisjeve ose pjesëve të tyre të shkaktuara nga përdorimi i forcës së tepërt, trajtimi dhe shërbimi i pahijshëm. Kjo gjithashtu vlen për dëmtimet në përputhje me manualin e funksionimit dhe instalimin ose pjesët rezervë dhe aksesori që nuk përfshihen në gamën tonë të produkteve. Në rast ndërhyrje në modifikimet e pajisjes nga persona të paautorizuar, garancia do të hiqet. Dëmet që mund t'i atribuohen trajtimit të pahijshëm, ngarkimit të tepërt, ose konsumit natyror, përjashtohen nga garancia. Dëmet e shkaktuara nga prodhuesi ose nga një defekt i materialit do të korrigjohen pa pagesë me riparim ose duke siguruar pjesë këmbimi. Parakusht është që pajisjet të dorëzohen të montuara, dhe të kompletuara me provën e shitjes dhe garancisë. Për një kërkesë garancie, përdorni vetëm paketimin origjinal. Në atë mënyrë, ne mund të garantojmë përpunim të shpejtë dhe të qetë të garancisë. Ju lutemi na dërgoni pajisjet me postë të paguar ose kërkonte një afishe autostradë. Për fat të keq, ne nuk do të jemi në gjendje të pranojmë pajisje që nuk janë me kontratë. Garancia nuk përfshin pjesë që i nënshtrohen konsumit natyror. Nëse dëshironi të bëni një kërkesë për garanci, të raportoni gabime ose të porosisni pjesë rezervë ose pajisje, ju lutemi kontaktoni qendrën pas shitjes më poshtë: Subjekti për të ndryshuar pa njoftim paraprak.

HR

JAMSTVO

Ovaj je uređaj kvalitetan proizvod. Dizajniran je u skladu s trenutnim tehničkim standardima i izrađen je pažljivo koristeći normalne, kvalitetne materijale. Garancijsko razdoblje je 24 mjeseca i započinje datumom kupnje, što se može potvrditi potvrdom primitka, računa ili dostavnice. Tijekom ovog jamstvenog razdoblja sve će funkcionalne pogreške, koje su unatoč pažljivom postupanju opisanom u našem priručniku za upotrebu provjerljivo zbog materijalnih nedostataka, otkloniti od strane našeg servisnog osoblja. Jamstvo ima oblik da će se oštećeni dijelovi besplatno popraviti ili zamijeniti savršenim dijelovima, po našem nahođenju. Zamijenjeni dijelovi postat će naše vlasništvo. Popravak ili zamjena pojedinih dijelova neće produžiti jamstveno razdoblje, jer neće rezultirati novim jamstvenim rokom za uređaj. Neće započeti zasebni jamstveni rok za rezervne dijelove koji se mogu trošiti. Ne možemo pružiti jamstvo za oštećenja i oštećenja uređaja ili njihovih dijelova uzrokovanih prekomjernom silom, nepravilnim postupanjem i servisiranjem. To se također odnosi i na neusklađivanje s uputama za uporabu i instalacijskim ili rezervnim i pomoćnim dijelovima koji nisu uključeni u naš asortiman proizvoda. U slučaju ometanja neovlaštenih osoba na izmjenama uređaja, jamstvo će se poništiti. Oštećenja koja se mogu pripisati nepravilnom rukovanju, preopterećenju ili prirodnom habanju isključena su iz jamstva. Štete uzrokovane proizvođačem ili oštećenjem materijala ispravit će se besplatnim popravkom ili osiguravanjem rezervnih dijelova. Preduvjet je da se oprema preda u sastavu, zajedno s dokazom o prodaji i garancijom. Za garancijski zahtjev koristite samo originalno pakiranje. Na taj način možemo jamčiti brzu i glatku obradu jamstava. Pošaljite nam uređaje naknadno ili zatražite naljepnicu autoputa. Nažalost, nećemo biti u mogućnosti prihvatiti uređaje koji nisu preplaćeni. Jamstvo ne obuhvaća dijelove koji su podložni prirodnom habanju. Ako želite podnijeti zahtjev za jamstvom, prijaviti kvarove ili naručiti rezervne dijelove ili pribor, molimo kontaktirajte dolje prodajni centar: Podložno promjenama bez prethodne najave.

SRB

ГAРАНЦИЈА

Ovaj aparat je kvalitetan proizvod. Dizajniran je u skladu sa trenutnim tehničkim standardima i rađen pažljivo koristeći normalne, kvalitetne materijale. Garantni rok je 24 meseca i započinje danom kupovine, što se može verifikovati primaњem, fakturnom или otpremnicom. Tokom ovog garantnog perioda, sve funkcionalne greške koje se, uпрkoc pažljivom postupanju opisanom u našem uputstvu za upotrebu, verovatno mogu proveriti zbog materijalnih nedostataka, otkloniће od strane нашег сервисног особља. Гаранција добија облик да ће се неисправни делови поправити или заменити савршеним деловима бесплатно по нашем нахођењу. Замене делови постаће наше власништво. Поправци или замена појединих делова неће продужити гарантни рок јер неће резултирати новим гаранцијским роком за апарат. Неће почети посебан гарантни рок за резервне делове који се могу напунити. Не можемо пружити гаранцију за оштећења и оштећења уређаја или њихових делова насталих прекомерном силом, неправилним третманом и сервисирањем. Ово се такође односи и на непоштовање упутства за употребу и инсталационих или резервних и помоћних делова који нису обухваћени нашим асортиманом производа. У случају ометања модификација уређаја од стране неовлашћених особа, гаранција ће се поништити. Оштећења која се могу приписати неправилном руковању, преоптерећењу или природном хабању су искључена из гаранције. Оштећења настала од стране произвођача или оштећења материјала исправљаће се или поправљањем резервних делова бесплатно. Предуслов је да се опрема преда у саставу, заједно са доказом о продаји и гаранцијом. За захтев о гаранцији користите само оригинално паковање. На тај начин можемо гарантовати брзу и глатку обраду гаранција. Пошаљите нам уређаје накнадно или затражите налепницу са аутопута. Нажалост, нећемо бити у могућности да прихватимо уређаје који нису плаћени. Гаранција не покрива делове који су изложени природном хабању. Ако желите да поднесете захтев за гаранцијом, пријавите грешке или наручите резервне делове или додатну опрему, молимо контактирајте доњи продајни центар: Могу се променити без претходне најаве.

