

BORMANN[®]

PRO

Built to last.



BAG1300 – **BAG1500** – **BAG1700** – **BAG2400** – **BAG7200** – **BAG7800**

028116

020653

020660

003700

020677

042334

EN **FR**

IT **EL**

BG **SL**

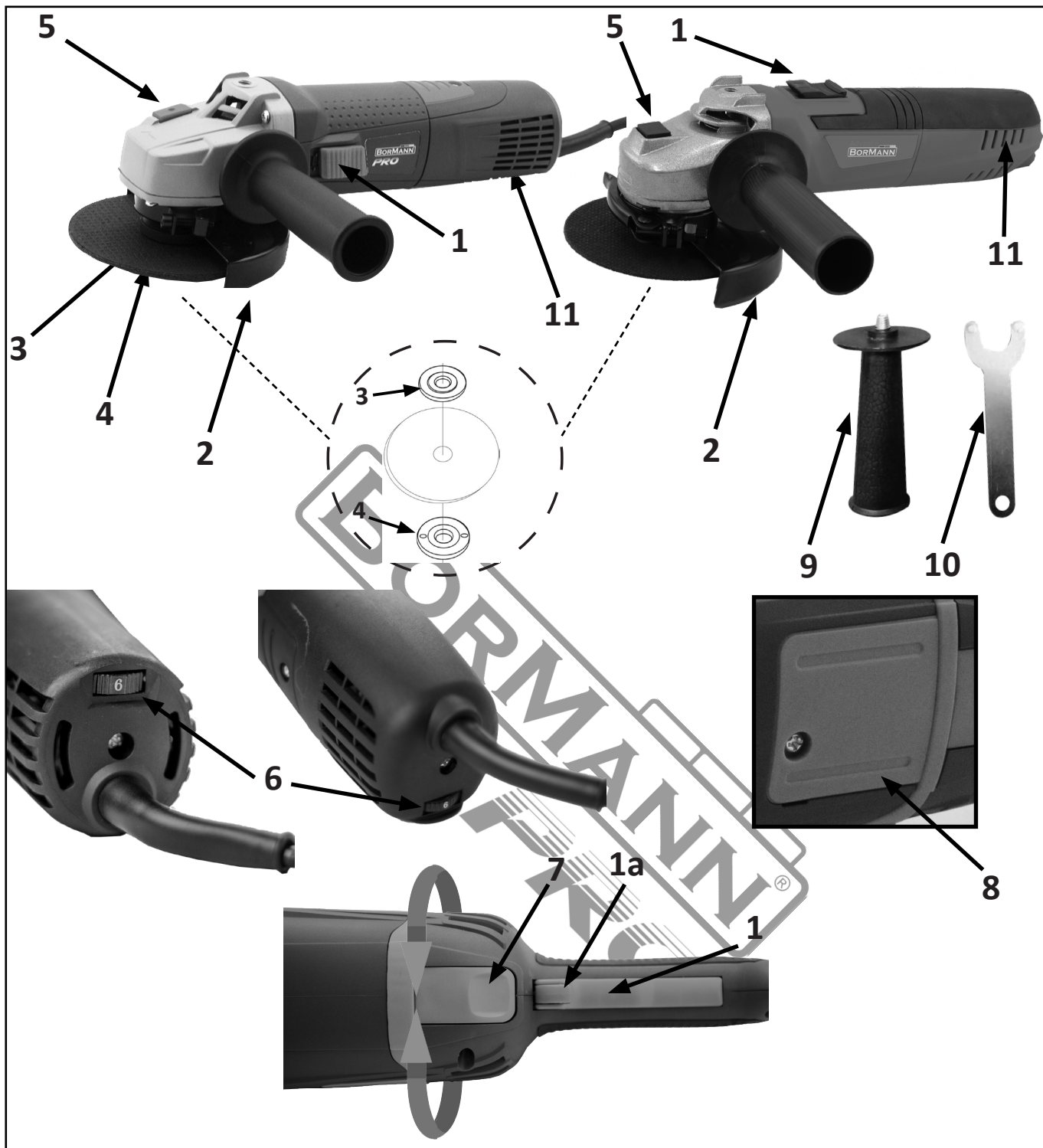
RO

v2.2



WWW.NIKOLAOUTOOLS.GR





Pictograms - Warning Labels



Double insulation



Wear eye protection equipment



Important information



Warning!



Wear ear protection equipment



Wear a dust mask



In order to reduce the risk of injury please read the following instructions.

General Safety Rules



WARNING! Read all instructions, failure to follow all instructions listed below may result in electric shock, fire and / or serious injury. The term “power tool” in all of the warnings listed below refers to your mains-operated (corded) power tool or battery-operated (cordless) power tool.



PLEASE KEEP THE INSTRUCTION MANUAL IN A SAFE PLACE

Work Area Safety

- Please keep work area clean and well lit. Dark or cluttered areas could invite accidents.
- Do not operate power tools in explosive atmospheres, such as in the presence of flammable liquids or fumes, gases or dust. Power tools could create sparks which may ignite the gases or fumes.
- Please keep children and bystanders in a safe distance while operating the power tool.

Electrical Safety

- Please make sure that power tool plugs match the outlet.
Do not ever modify the plug in any way. Do not use adapter plugs with earthed (grounded) power tools. Using unmodified plugs and matching outlets will reduce risk of electric shock and other injuries.
- Avoid body contact with earthed or grounded materials or objects, such as radiators, pipes, ranges and refrigerators. There is an tremendous risk of electric shock if your body is earthed or grounded.
- Do not expose power tools to rain or any other wet conditions. Water entering a power tool could increase the risk of electric shock.
- Do not abuse the power cord. Never use the cord for carrying, pulling or unplugging the electric tool. Keep cord in a safe distance from heat, oil, sharp edges and any moving parts. Damaged or entangled cords will increase the risk of electric shock.
- When operating an electric power tool outdoors, use an extension cable which has the appropriate specifications for outdoor use. Use of a an extension cable suitable for outdoor use reduces the risk of electric shock.
- If operating a power tool in a damp location cannot be avoided, use a residual current device (RCD) protected supply. Use of an RCD reduces the risk of electric shock.

Personal Safety

- Stay alert, watch what you are doing and use common sense when operating a power tool. Do not use a power tool while you are feeling tired or under the influence of alcohol, drugs, or medication. A moment of inattention while operating a power tool may result in serious personal injury.
- Please use personal protective equipment. Always wear eye protection. Protective equipment such as a dust mask, or hearing protection, non-skid safety shoes or protective helmets, used for appropriate conditions will reduce personal injuries.
- Prevent unintentional starting. Ensure the power switch is in the off-position before connecting to power source and/or battery pack, picking up or carrying the power tool. Carrying power tools with your finger on the power switch or energising power tools that have the switch in the on position invites accidents.
- Remove any adjusting keys or wrenches before turning the power tool on. A tool left attached to a rotating part of the power tool may result in personal injury.
- Do not overreach. Keep balance and proper footing at all times. This helps to have a better control of the power tool in unexpected situations.
- Dress properly. Do not wear loose clothing or jewellery. Keep your hair, clothing and gloves away from any moving parts. Loose clothes, jewellery and/or long hair can be caught in moving parts.

Power Tool Use And Care

- Please do not force the power tool. Use the correct power tool for the each application. The correct power tool will always

do the job better and safer when used at the rate for which it was designed.

- b) Do not use the power tool if the switch does not turn activate or deactivate it. Any power tool that cannot be controlled with the switch is extremely dangerous and must be repaired.
- c) Disconnect the main plug from the power source and/or the battery pack from the power tool before changing accessories, making any adjustments, or storing power tools. Such preventive safety measures will reduce the risk of starting the power tool accidentally.
- d) Store idle power tools out of the reach of children and do not allow persons unfamiliar with the power tool or these instructions to use and operate the power tool.
Power tools are extremely dangerous in the hands of untrained users.
- e) Maintain power tools. Check for misalignment or binding of moving parts, breakage of parts, leakage and any other condition that may affect the power tool's operation. If damaged, please have the power tool repaired before use. Many accidents and injuries are caused by poorly maintained power tools.
- f) Keep all the cutting tools sharp and clean. Properly maintained cutting tools with sharp cutting edges are less likely to bind and are more precise and easier to control.
- g) Always use the power tool, accessories and tool bits etc. in accordance with the instructions of this instruction manual, taking into account the working conditions and the work to be performed.
Use of the power tool for applications different from those intended could result in a hazardous situation.

Service

- a) Have your power tool serviced by a qualified repair technician using only identical replacement parts. This will ensure that the safety of the power tool is maintained.

Machine-Specific Safety Warnings

- Do not use grinding disks with a maximal rotational speed inferior to the grinder's maximal rotational speed.
- Do not use damaged grinding disks (cracked, split) or not disks which are not appropriate for the material to be grinded.
- Do not use grinding disks which include a reducing bushing.
- Run off load for 30 seconds, when placing any new or reinstalled grinding disks. Keep bystanders in a safe distance while testing the power tool. Stop the tool immediately in case you detect excessive vibrations and resolve the problem.
- Tighten the clamping flange sufficiently to solidly hold the grinding wheel.
- Carry out rotational speed measurements at regular intervals and necessarily after having reassembled the tool.
- Check that the guard is correctly set and not damaged before switching the tool on.
- Before starting any work, check the condition of the power supply cable and plug.
- Always unplug the tool before handling it (including replacement of grinding disks).
- Do not brutally apply the grinder on the material, and do not apply too much effort when grinding.
- If the rotation speed reduces abnormally, stop the tool immediately and unplug it from the socket.
- Keep pinion gear and roller bearings correctly greased.
- Keep the grinder clean, especially the unit's air-vents.
- Never use the tool without the protective guard.
- **Never press the axle locking button while the grinder is in operation. Before starting any work check that the drive axis did not remain locked.**
- Never use cutting disks sideways (example: chamfering)
- Make sure that the grinding disk's dimensions are compatible with the grinder.
- Grinding disks should be stored or carried with care according to the manufacturer's instructions.
- Make sure the grinding disks are mounted according to the manufacturer's instructions.
- **Warning:** a grinding wheel continues to rotate after the grinder is switched off.

Kickback and related warnings

Kickback is a sudden reaction to a pinched or snagged rotating wheel, backing pad, brush or any other accessory. Pinching or snagging causes rapid stalling of the rotating accessory which in turn causes the uncontrolled power tool to be forced in the direction opposite of the accessory's rotation at the point of the binding.

For example, if an abrasive wheel is snagged or pinched by the workpiece, the edge of the wheel that is entering into the pinch point can dig into the surface of the material causing the wheel to climb out or kick out. The wheel may either jump toward or away from the operator, depending on direction of the wheel's movement at the point of pinching
Abrasive disks may also break under these conditions.

Kickback is the result of power tool misuse and/or incorrect operating procedures or conditions and can be avoided by taking proper precautions as given below.


Maintain a firm grip on the power tool and position your body and arm to allow you to resist kickback forces.

Always use auxiliary handle, if provided, for maximum control over kickback or torque reaction during start-up. The operator can control torque reactions or kickback forces, if proper precautions are taken. Never place your hand near the rotating accessory. The accessory may kickback over your hand. Do not position your body in the area where the power tool will move if kickback occurs. Kickback will propel the tool in the direction opposite to the wheel's movement at the point of snagging. Use special care when working corners, sharp edges, etc. Avoid bouncing and snagging the accessory. Corners, sharp edges or bouncing have a tendency to snag the rotating accessory and cause loss of control or kickback. Do not attach a saw chain woodcarving blade or toothed saw blade. Such blades create frequent kickback and loss of control over the power tool.

Intended Use

Angle grinders are intended for cutting, roughing and brushing metal and stone materials without using water. They can also be used as sanding tools when combined with the appropriate approved sanding disks and pads. Concrete grinders are suitable for grinding cement and other similar surfaces.

Functional Description and Specifications

The following numbering refers to the illustration of the machine indicated on page 2.		 * The accessories illustrated or described are not included as standard delivery.
1	On/Off Switch	
1a	On/Off Switch safety button*	<p>* The manufacturer reserves the right to make minor changes to product design and technical specifications without prior notice unless these changes significantly affect the performance and safety of the products. The parts described / illustrated in the pages of the manual that you hold in your hands may also concern other models of the manufacturer's product line with similar features and may not be included in the product you just acquired.</p> <p>* To ensure the safety and reliability of the product and the warranty validity, all repair, inspection, repair or replacement work, including maintenance and special adjustments, must only be carried out by technicians of the authorized service department of the manufacturer.</p> <p>* Always use the product with the supplied equipment. Operation of the product with non-provided equipment may cause malfunctions or even serious injury or death. The manufacturer and the importer shall not be liable for injuries and damages resulting from the use of non-conforming equipment.</p>
2	Protective Guard	
3	Inner Flange	
4	Outer Flange	
5	Spindle Lock Button	
6	Speed Adjustment Selector*	
7	Main Handle Adjustment Button*	
8	Carbon Brush socket Cover	
9	Secondary handle*	
10	Spanner*	
11	Ventilation Slots	

Technical Data

Model:	BAG1300	BAG1500	BAG1700	BAG2400	BAG7200	BAG7800
Rated Voltage:	230V/120V	230V/120V	230V/120V	230V/120V	230V/120V	230V
Rated Frequency	50/60Hz	50/60Hz	50/60Hz	50/60Hz	50/60Hz	50Hz
Input Power:	1010w	1400w	1700w	2400w	720w	840w
No load Speed:	3000-10000Rpm	10000Rpm	0-10500Rpm	6500Rpm	11000Rpm	11000Rpm
∅	125mm	125mm	125mm	230mm	125mm	125mm

Electrical Safety

The electric motor has been designed for a specific voltage only. Always check that the power supply corresponds to the voltage written on the rating plate.

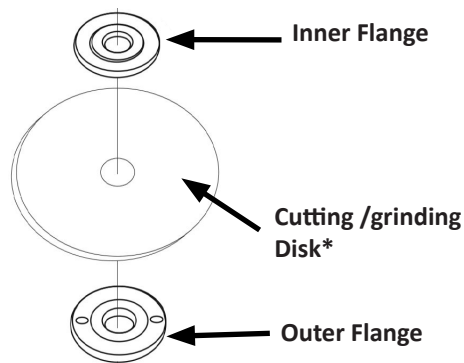
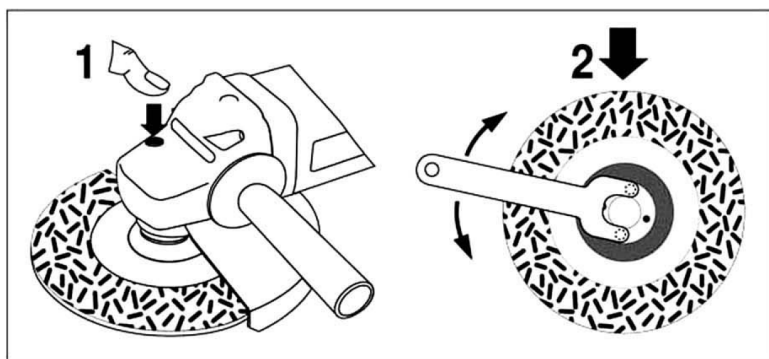
Assembly Instructions - Main Adjustments



Before using the tool, please read all the instructions.

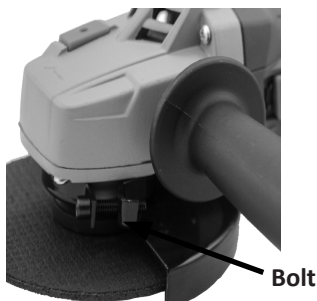
Grinding wheel assembly disassembly

- Unplug the tool from the 230 volt power supply.
- Tighten or loosen the flange nut (right hand thread) with the pin wrench and by pressing the spindle's locking button.
- Make sure that the inner and outer flange are placed in the right order and that they are safely tightened.

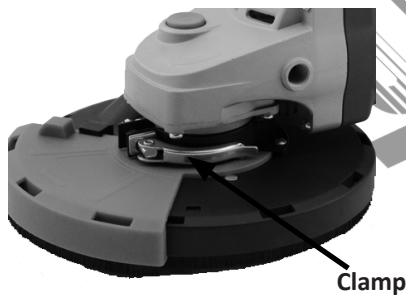


Auxiliary handle

Attach the auxiliary handle by turning it in a clockwise direction on the fixing holes found on the right or left (for specific types of grinders, also on top) of the grinder's cutting head.



Bolt



Clamp

Protective Guard

To adjust the position of the protective guard, loosen the bolt fixed on the collar and rotate the guard clockwise or anticlockwise to set it to an appropriate position. Then tighten the bolt to lock the guard to the chosen position. For clamp type protective guards: unlock the clamp, adjust the position of the guard and then push the clamp to lock the guard to the chosen position.

Operating Instructions

On/Off Switch

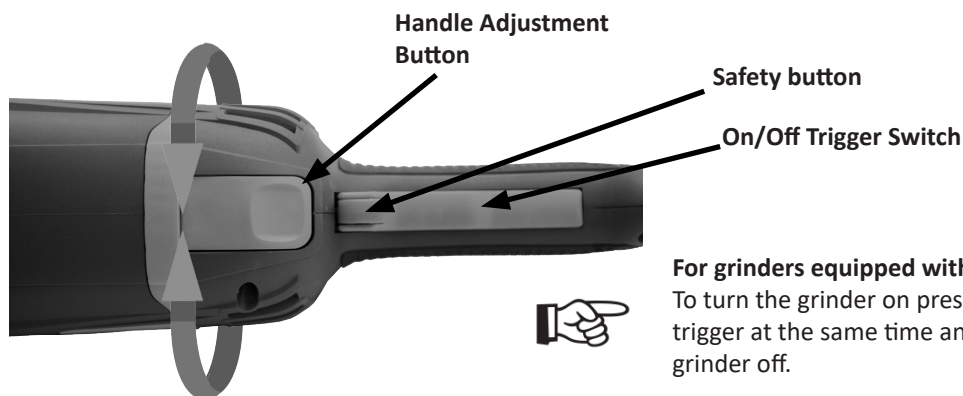
Caution: Before connecting the tool, make sure the switch is correctly actuated and returns to the "OFF" position when the back is pressed.

To activate the tool (ON), press the back of the switch and push it forward. Then press the front of the switch until it locks. To switch off, press the back of the switch.



Warning!

Always wait a few seconds until the disk reaches the maximal rotational speed before grinding or cutting the workpiece.

Trigger type On/Off Switch (*not included in all models)**Adjustable main handle (not included in all models)**

Adjust the position of the main handle by pressing the button found next to the trigger and rotate the handle clockwise or anticlockwise in order to set it to the desired position.

Speed Adjustment Selector

Turn the thumb-wheel clockwise to increase or anticlockwise to decrease the maximal rotational speed of the drive spindle and cutting/ grinding disk.



For models including a soft start system, you will notice that the disk's rotational speed increases gradually. This is part of the normal operation of the tools and must not worry you.

Disposal

The power tool, accessories and packaging should be sorted for environmental-friendly recycling.

**Only for EU countries:**

Do not dispose of power tools into household waste!

According the European Guideline 2002/96/EC for Waste Electrical and Electronic Equipment and its implementation into national right, power tools that are no longer usable must be collected separately and disposed of in an environmentally correct manner.

Pictogrammes - Étiquettes d'avertissement



Double isolation



Porter des lunettes de protection



Informations importantes



Attention !



Portez une protection auditive



Portez un masque anti-poussière



Afin de réduire le risque de blessure, veuillez lire les instructions suivantes.

Règles générales de sécurité



AVERTISSEMENT ! Lisez toutes les instructions, le non-respect de toutes les instructions énumérées ci-dessous peut entraîner un choc électrique, un incendie et/ou des blessures graves. Le terme "outil électrique" dans tous les avertissements énumérés ci-dessous fait référence à votre outil électrique fonctionnant sur secteur (filaire) ou sur batterie (sans fil).



VEUILLEZ CONSERVER LE MANUEL D'INSTRUCTION DANS UN LIEU SÛR

Sécurité de la zone de travail

- Veillez garder la zone de travail propre et bien éclairée. Les zones sombres ou encombrées peuvent favoriser les accidents.
- N'utilisez pas d'outils électriques dans des atmosphères explosives, par exemple en présence de liquides ou de fumées inflammables, de gaz ou de poussière. Les outils électriques pourraient créer des étincelles susceptibles d'enflammer les gaz ou les fumées.
- Veillez garder les enfants et les personnes présentes à une distance sûre pendant l'utilisation de l'outil électrique.

Sécurité électrique

- Veillez vous assurer que les fiches des outils électriques correspondent à la prise de courant. Ne modifiez jamais la fiche de quelque manière que ce soit. N'utilisez pas de fiches d'adaptation avec des outils électriques mis à la terre. L'utilisation de fiches non modifiées et de prises de courant adaptées réduira le risque de choc électrique et d'autres blessures.
- Évitez tout contact corporel avec des matériaux ou des objets mis à la terre, comme les radiateurs, les tuyaux, les cuisinières et les réfrigérateurs. Il y a un risque énorme de choc électrique si votre corps est mis à la terre ou relié à la masse.
- N'exposez pas les outils électriques à la pluie ou à toute autre condition humide. La pénétration d'eau dans un outil électrique peut augmenter le risque de choc électrique.
- Ne pas abuser du cordon d'alimentation. N'utilisez jamais le cordon pour porter, tirer ou débrancher l'outil électrique. Gardez le cordon à une distance sûre de la chaleur, de l'huile, des bords tranchants et de toute pièce mobile. Un cordon endommagé ou emmêlé augmente le risque de choc électrique.
- Lorsque vous utilisez un outil électrique à l'extérieur, utilisez une rallonge dont les spécifications sont adaptées à une utilisation en extérieur. L'utilisation d'une rallonge adaptée à une utilisation en extérieur réduit le risque de choc électrique.
- Si l'utilisation d'un outil électrique dans un endroit humide ne peut être évitée, utilisez une alimentation protégée par un dispositif à courant résiduel (RCD). L'utilisation d'un RCD réduit le risque de choc électrique.

Sécurité personnelle

- Restez vigilant, regardez ce que vous faites et faites preuve de bon sens lorsque vous utilisez un outil électrique. N'utilisez pas un outil électrique si vous êtes fatigué ou sous l'influence de l'alcool, de drogues ou de médicaments. Un moment d'inattention lors de l'utilisation d'un outil électrique peut entraîner des blessures graves.
- Veillez utiliser un équipement de protection individuelle. Portez toujours des lunettes de protection. Les équipements de protection tels que le masque anti-poussière, les protections auditives, les chaussures de sécurité antidérapantes ou les casques de protection, utilisés dans des conditions appropriées, réduiront les blessures.
- Évitez tout démarrage involontaire. Assurez-vous que l'interrupteur d'alimentation est en position d'arrêt avant de brancher la source d'alimentation et/ou le bloc-piles, de prendre ou de transporter l'outil électrique. Transporter des outils électriques avec le doigt sur l'interrupteur ou mettre sous tension des outils électriques dont l'interrupteur est en position de marche est une invitation aux accidents.
- Retirez les clés de réglage ou les clés à molette avant de mettre l'outil électrique en marche. Un outil laissé attaché à une partie rotative de l'outil électrique peut entraîner des blessures corporelles.
- Ne vous penchez pas trop. Gardez l'équilibre et une bonne assise à tout moment. Cela permet de mieux contrôler l'outil électrique dans des situations inattendues.
- Habillez-vous correctement. Ne portez pas de vêtements amples ni de bijoux. Gardez vos cheveux, vos vêtements et vos gants à l'écart des pièces mobiles. Les vêtements amples, les bijoux et/ou les cheveux longs peuvent être happés par les pièces en mouvement.

Utilisation et entretien des outils électriques

- Ne forcez pas l'outil électrique. Utilisez le bon outil électrique pour chaque application. Le bon outil électrique sera toujours

fait le travail mieux et de manière plus sûre lorsqu'il est utilisé au rythme pour lequel il a été conçu.

b) N'utilisez pas l'outil électrique si l'interrupteur ne permet pas de l'activer ou de le désactiver. Tout outil électrique qui ne peut être contrôlé à l'aide de l'interrupteur est extrêmement dangereux et doit être réparé.

c) Débranchez la fiche principale de la source d'alimentation et/ou le bloc-piles de l'outil électrique avant de changer les accessoires, d'effectuer des réglages ou de ranger les outils électriques. Ces mesures de sécurité préventives réduiront le risque de démarrage accidentel de l'outil électrique.

d) Rangez les outils électriques inactifs hors de portée des enfants et ne permettez pas à des personnes non familiarisées avec l'outil électrique ou ces instructions d'utiliser et de faire fonctionner l'outil électrique. Les outils électriques sont extrêmement dangereux entre les mains d'utilisateurs non formés.

e) Entretenez les outils électriques. Vérifiez que les pièces mobiles ne sont pas mal alignées ou coincées, qu'elles ne sont pas cassées, qu'il n'y a pas de fuite ou toute autre condition qui pourrait affecter le fonctionnement de l'outil électrique. En cas de dommage, faites réparer l'outil électrique avant de l'utiliser. De nombreux accidents et blessures sont causés par des outils électriques mal entretenus.

f) Maintenez tous les outils de coupe affûtés et propres. Des outils de coupe correctement entretenus et aux tranchants affûtés risquent moins de se coincer et sont plus précis et plus faciles à contrôler.

g) Utilisez toujours l'outil électrique, les accessoires et les embouts etc. conformément aux instructions de ce manuel d'instructions, en tenant compte des conditions de travail et du travail à effectuer.

L'utilisation de l'outil électrique pour des applications différentes de celles prévues peut entraîner une situation dangereuse.

Service

a) Faites réparer votre outil électrique par un technicien qualifié en utilisant uniquement des pièces de rechange identiques. Cela permettra de garantir la sécurité de l'outil électrique.

Avertissements de sécurité spécifiques à la machine

- N'utilisez pas de disques de meulage dont la vitesse de rotation maximale est inférieure à la vitesse de rotation maximale de la meuleuse.
- N'utilisez pas de disques de broyage endommagés (fissurés, fendus) ou non adaptés au matériau à broyer.
- N'utilisez pas de disques de meulage comprenant une douille de réduction.
- Arrêtez la charge pendant 30 secondes avant de placer des disques de meulage neufs ou réinstallés. Maintenez les personnes présentes à une distance sûre pendant les essais de l'outil électrique. Arrêtez immédiatement l'outil si vous détectez des vibrations excessives et résolvez le problème.
- Serrez suffisamment la bride de serrage pour maintenir solidement la meule.
- Effectuez des mesures de vitesse de rotation à intervalles réguliers et nécessairement après avoir remonté l'outil.
- Vérifiez que la protection est correctement réglée et qu'elle n'est pas endommagée avant de mettre l'outil en marche.
- Avant de commencer tout travail, vérifiez l'état du câble d'alimentation et de la fiche.
- Débranchez toujours l'outil avant de le manipuler (y compris le remplacement des disques de meulage).
- N'appliquez pas brutalement la meule sur le matériau et ne faites pas trop d'efforts lors du meulage.
- Si la vitesse de rotation diminue anormalement, arrêtez immédiatement l'outil et débranchez-le de la prise.
- Maintenez l'engrenage du pignon et les roulements à rouleaux correctement graissés.
- Gardez la meuleuse propre, en particulier les aérations de l'appareil.
- N'utilisez jamais l'outil sans sa protection.
- **N'appuyez jamais sur le bouton de verrouillage de l'axe lorsque la meuleuse est en marche. Avant de commencer tout travail, vérifiez que l'axe d'entraînement n'est pas resté bloqué.**
- Ne jamais utiliser les disques de coupe latéralement (exemple : chanfreinage).
- Assurez-vous que les dimensions de la meule sont compatibles avec la meuleuse.
- Les disques de meulage doivent être stockés ou transportés avec soin, conformément aux instructions du fabricant.
- Assurez-vous que les disques de broyage sont montés conformément aux instructions du fabricant.
- **Attention** : une meule continue à tourner après l'arrêt de la meuleuse.

Rebond et avertissements connexes

Le rebond est une réaction soudaine à une roue rotative, un patin, une brosse ou tout autre accessoire pincé ou accroché.

Le pincement ou l'accrochage provoque un blocage rapide de l'accessoire en rotation, ce qui a pour effet de forcer l'outil électrique non contrôlé dans le sens opposé à la rotation de l'accessoire au point de pincement.

Par exemple, si une meule abrasive est accrochée ou pincée par la pièce, le bord de la meule qui entre dans le point de pincement peut s'enfoncer dans la surface du matériau, ce qui fait que la meule grimpe ou saute. La meule peut sauter vers l'opérateur ou s'éloigner de lui, selon la direction du mouvement de la meule au point de pincement.

Les disques abrasifs peuvent également se briser dans ces conditions.

Le rebond est le résultat d'une mauvaise utilisation de l'outil électrique et/ou de procédures ou de conditions d'utilisation incorrectes et peut être évité en prenant les précautions appropriées indiquées ci-dessous.

Maintenez une prise ferme sur l'outil électrique et positionnez votre corps et votre bras pour vous permettre de résister aux forces de rebond.

Utilisez toujours la poignée auxiliaire, si elle est fournie, pour contrôler au maximum le rebond ou la réaction de couple pendant le démarrage. L'opérateur peut contrôler les réactions de couple ou les forces de rebond, si les précautions appropriées sont prises.

Ne placez jamais votre main près de l'accessoire rotatif. L'accessoire pourrait rebondir sur votre main.

Ne placez pas votre corps dans la zone où l'outil électrique se déplacera en cas de rebond. Le rebond propulsera l'outil dans la direction opposée au mouvement de la roue au point d'accrochage.


Soyez particulièrement prudent lorsque vous travaillez dans des coins, sur des arêtes vives, etc. Évitez de faire rebondir et d'accrocher l'accessoire. Les coins, les arêtes vives ou les rebonds ont tendance à accrocher l'accessoire rotatif et à provoquer une perte de contrôle ou un rebond.

Ne pas fixer une lame de scie à chaîne pour sculpter le bois ou une lame de scie dentée. Ces lames provoquent fréquemment des rebonds et une perte de contrôle de l'outil électrique.

Utilisation prévue

Les meuleuses d'angle sont destinées à couper, dégrossir et brosser les matériaux en métal et en pierre sans utiliser d'eau. Elles peuvent également être utilisées comme outils de ponçage lorsqu'elles sont combinées avec les disques et tampons de ponçage homologués appropriés. Les meuleuses à béton conviennent pour le ponçage du ciment et d'autres surfaces similaires.

Description fonctionnelle et spécifications

La numérotation suivante fait référence à l'illustration de la machine indiquée à la page 2.		 * Les accessoires illustrés ou décrits ne sont pas inclus dans la livraison standard.
1	Interrupteur marche/arrêt	<p>* Le fabricant se réserve le droit d'apporter des modifications mineures à la conception et aux spécifications techniques des produits sans préavis, à moins que ces modifications n'affectent de manière significative les performances et la sécurité des produits. Les pièces décrites / illustrées dans les pages du manuel que vous tenez entre vos mains peuvent également concerner d'autres modèles de la ligne de produits du fabricant ayant des caractéristiques similaires et peuvent ne pas être incluses dans le produit que vous venez d'acquérir.</p> <p>* Pour assurer la sécurité et la fiabilité du produit et la validité de la garantie, tous les travaux de réparation, d'inspection, de réparation ou de remplacement, y compris l'entretien et les réglages spéciaux, doivent être effectués uniquement par des techniciens du service après-vente agréé du fabricant.</p> <p>* Utilisez toujours le produit avec l'équipement fourni. L'utilisation du produit avec un équipement non fourni peut entraîner des dysfonctionnements, voire des blessures graves ou mortelles. Le fabricant et l'importateur ne peuvent être tenus responsables des blessures et des dommages résultant de l'utilisation d'un équipement non conforme.</p>
1a	Bouton de sécurité de l'interrupteur marche/arrêt*	
2	Garde de protection	
3	Bride intérieure	
4	Bride extérieure	
5	Bouton de verrouillage de la broche	
6	Sélecteur d'ajustement de la vitesse	
7	Bouton de réglage de la poignée principale*	
8	Couvercle de la prise du balai de carbone	
9	Poignée secondaire	
10	Clé de serrage*	
11	Fentes de ventilation	

Données techniques

Modèle:	BAG1300	BAG1500	BAG1700	BAG2400	BAG7200	BAG7800
Tension nominale:	230V/120V	230V/120V	230V/120V	230V/120V	230V/120V	230V
Fréquence nominale	50/60Hz	50/60Hz	50/60Hz	50/60Hz	50/60Hz	50Hz
Puissance d'entrée:	1010w	1400w	1700w	2400w	720w	840w
Vitesse à vide:	3000-10000Rpm	10000Rpm	0-10500Rpm	6500Rpm	11000Rpm	11000Rpm
∅	125mm	125mm	125mm	230mm	125mm	125mm

Sécurité électrique

Le moteur électrique a été conçu pour une tension spécifique uniquement. Vérifiez toujours que l'alimentation électrique correspond à la tension indiquée sur la plaque signalétique.

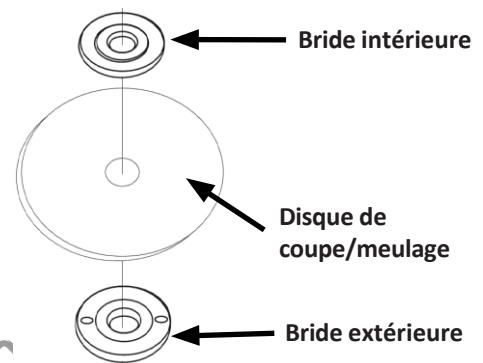
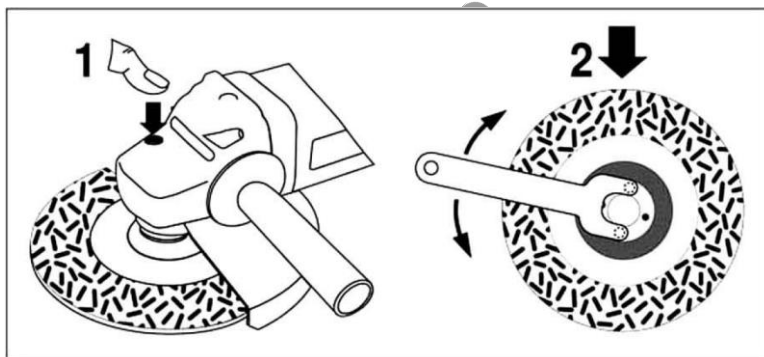
Instructions de montage - Réglages principaux



Avant d'utiliser l'outil, veuillez lire toutes les instructions.

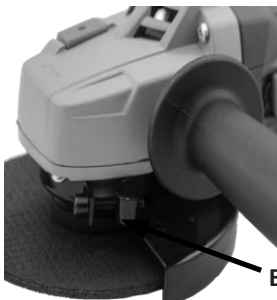
Démontage de l'assemblage de la meule

- Débranchez l'outil de l'alimentation électrique de 230 volts.
- Serrez ou desserrez l'écrou à bride (filetage à droite) à l'aide de la clé à ergots et en appuyant sur le bouton de calage de la broche.
- Assurez-vous que les brides intérieure et extérieure sont placées dans le bon ordre et qu'elles sont bien serrées.



Poignée auxiliaire

Fixez la poignée auxiliaire en la tournant dans le sens des aiguilles d'une montre sur les trous de fixation situés à droite ou à gauche (pour certains types de meuleuses, également en haut) de la tête de coupe de la meuleuse.



Boulon



Bride de serrage

Garde de protection

Pour régler la position du protecteur, desserrez le boulon fixé sur le collier et faites tourner le protecteur dans le sens des aiguilles d'une montre ou dans le sens inverse pour le mettre dans une position appropriée. Resserrez ensuite le boulon pour bloquer le protecteur dans la position choisie. Pour les protecteurs avec une bride de serrage: déverrouiller la bride de serrage, ajuster la position du protecteur, puis pousser le bride de serrage pour verrouiller le protecteur dans la position choisie.

Instructions d'utilisation

Interrupteur marche/arrêt

Attention : Avant de connecter l'outil, assurez-vous que l'interrupteur est correctement actionné et qu'il revient en position "OFF" lorsque vous appuyez sur le dos.

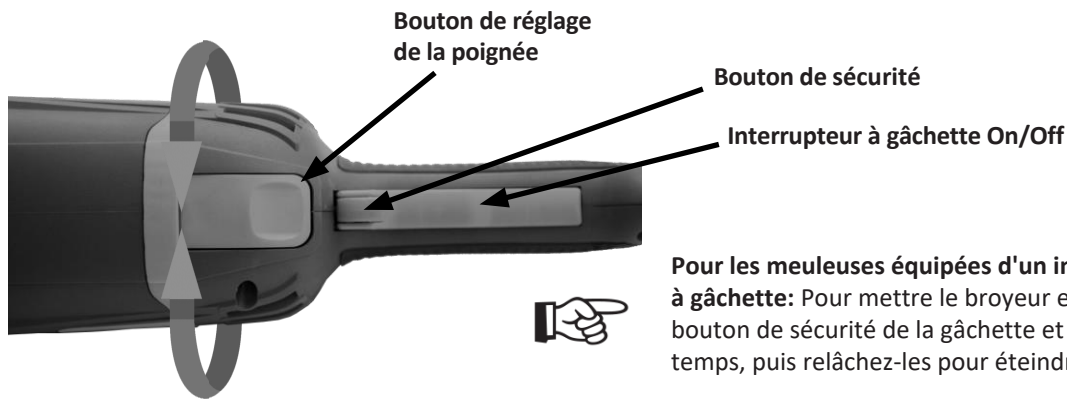
Pour activer l'outil (ON), appuyez sur l'arrière de l'interrupteur et poussez-le vers l'avant. Appuyez ensuite sur l'avant de l'interrupteur jusqu'à ce qu'il se verrouille. Pour éteindre l'outil, appuyez sur l'arrière de l'interrupteur.



Attendez toujours quelques secondes que le disque atteigne la vitesse de rotation maximale avant de meuler ou de couper la pièce.

Attention !

Interrupteur marche/arrêt de type gâchette (*non inclus dans tous les modèles)



Pour les meuleuses équipées d'un interrupteur marche/arrêt à gâchette: Pour mettre le broyeur en marche, appuyez sur le bouton de sécurité de la gâchette et sur la gâchette en même temps, puis relâchez-les pour éteindre le broyeur.

Poignée principale réglable (non incluse dans tous les modèles)

Régalez la position de la poignée principale en appuyant sur le bouton situé à côté de la gâchette et tournez la poignée dans le sens des aiguilles d'une montre ou dans le sens inverse afin de la régler sur la position souhaitée.

Sélecteur de réglage de la vitesse

Tournez la molette dans le sens des aiguilles d'une montre pour augmenter ou dans le sens inverse pour diminuer la vitesse de rotation maximale de la broche d'entraînement et du disque de coupe/meulage.



Pour les modèles comprenant un système de démarrage progressif, vous remarquerez que la vitesse de rotation du disque augmente progressivement. Cela fait partie du fonctionnement normal des outils et ne doit pas vous inquiéter.

Élimination

L'outil électrique, les accessoires et l'emballage doivent être triés pour un recyclage respectueux de l'environnement.



Uniquement pour les pays de l'UE :

Ne pas jeter les outils électriques dans les ordures ménagères !

Conformément à la directive européenne 2002/96/CE relative aux déchets d'équipements électriques et électroniques et à sa transposition en droit national, les outils électriques qui ne sont plus utilisables doivent être collectés séparément et éliminés d'une manière écologiquement correcte.

Pittogrammi - Etichette di avvertenza



Doppio isolamento



Indossare una protezione per gli occhi attrezzature



Informazioni importanti



Attenzione!



Indossare protezioni per le orecchie attrezzature



Indossare una maschera antipolvere



Per ridurre il rischio di lesioni, leggere le seguenti istruzioni.

Norme generali di sicurezza



ATTENZIONE! Leggere tutte le istruzioni; la mancata osservanza di tutte le istruzioni elencate di seguito può provocare scosse elettriche, incendi e/o gravi lesioni. Il termine "utensile elettrico" in tutte le avvertenze elencate di seguito si riferisce all'utensile elettrico alimentato a rete (a filo) o a batteria (a batteria).



CONSERVARE LE ISTRUZIONI PER L'USO IN UN LUOGO SICURO.

Sicurezza dell'area di lavoro

- Mantenere l'area di lavoro pulita e ben illuminata. Aree buie o disordinate possono provocare incidenti.
- Non utilizzare gli utensili elettrici in atmosfere esplosive, ad esempio in presenza di liquidi o fumi infiammabili, gas o polveri. Gli utensili elettrici potrebbero creare scintille che potrebbero incendiare i gas o i fumi.
- Tenere i bambini e gli astanti a distanza di sicurezza durante l'uso dell'elettrostrumento.

Sicurezza elettrica

- Assicurarsi che le spine degli utensili elettrici corrispondano alla presa di corrente. Non modificare mai la spina in alcun modo. Non utilizzare spine adattatrici con utensili elettrici dotati di messa a terra. L'uso di spine non modificate e di prese corrispondenti riduce il rischio di scosse elettriche e altre lesioni.
- Evitare il contatto del corpo con materiali o oggetti collegati a terra, come radiatori, tubi, cucine e frigoriferi. Il rischio di scosse elettriche è molto elevato se il corpo è collegato a terra.
- Non esporre gli utensili elettrici alla pioggia o ad altre condizioni di umidità. L'ingresso di acqua in un elettrostrumento può aumentare il rischio di scosse elettriche.
- Non abusare del cavo di alimentazione. Non utilizzare mai il cavo per trasportare, tirare o scollegare l'utensile elettrico. Tenere il cavo a distanza di sicurezza da calore, olio, bordi taglienti e parti in movimento. I cavi danneggiati o aggrovigliati aumentano il rischio di scosse elettriche.
- Quando si utilizza un elettrostrumento all'aperto, utilizzare un cavo di prolunga con le specifiche adeguate per l'uso all'aperto. L'uso di un cavo di prolunga adatto all'uso esterno riduce il rischio di scosse elettriche.
- Se non è possibile evitare di utilizzare un utensile elettrico in un luogo umido, utilizzare un'alimentazione protetta da un dispositivo di corrente residua (RCD). L'uso di un RCD riduce il rischio di scosse elettriche.

Sicurezza personale

- Quando si utilizza un elettrostrumento, occorre essere vigili, fare attenzione a ciò che si fa e usare il buon senso. Non utilizzare un utensile elettrico quando si è stanchi o sotto l'effetto di alcol, droghe o farmaci. Un momento di disattenzione durante l'uso di un elettrostrumento può causare gravi lesioni personali.
- Utilizzare i dispositivi di protezione individuale. Indossare sempre una protezione per gli occhi. Dispositivi di protezione come maschere antipolvere, protezioni per l'udito, scarpe di sicurezza antiscivolo o caschi protettivi, utilizzati in condizioni adeguate, ridurranno le lesioni personali.
- Prevenire l'avviamento involontario. Assicurarsi che l'interruttore di alimentazione sia in posizione off prima di collegare la fonte di alimentazione e/o la batteria, di sollevare o trasportare l'elettrostrumento. Trasportare gli utensili elettrici con il dito sull'interruttore di alimentazione o dare energia agli utensili elettrici che hanno l'interruttore in posizione di accensione favorisce gli incidenti.
- Prima di accendere l'elettrostrumento, rimuovere le chiavi di regolazione o le chiavi inglesi. Un utensile lasciato attaccato a una parte rotante dell'elettrostrumento può causare lesioni personali.
- Non sporgersi eccessivamente. Mantenere sempre l'equilibrio e l'appoggio corretto. Questo aiuta a controllare meglio l'elettrostrumento in situazioni impreviste.
- Vestirsi in modo adeguato. Non indossare abiti larghi o gioielli. Tenere i capelli, gli indumenti e i guanti lontani dalle parti in movimento. Vestiti larghi, gioielli e/o capelli lunghi possono impigliarsi nelle parti in movimento.

Uso e cura degli elettrostrumenti

- Non forzare l'elettrostrumento. Utilizzare l'elettrostrumento corretto per ogni applicazione. L'utensile corretto sarà sempre

svolgere il lavoro in modo migliore e più sicuro se utilizzato alla velocità per cui è stato progettato.

b) Non utilizzare l'elettrostrumento se l'interruttore non lo attiva o lo disattiva. Qualsiasi utensile elettrico che non può essere controllato con l'interruttore è estremamente pericoloso e deve essere riparato.

c) Scollegare la spina principale dalla fonte di alimentazione e/o il pacco batteria dall'elettrostrumento prima di cambiare gli accessori, effettuare regolazioni o riporre l'elettrostrumento. Queste misure di sicurezza preventive riducono il rischio di avviamento accidentale dell'elettrostrumento.

d) Conservare gli utensili elettrici inattivi fuori dalla portata dei bambini e non consentire l'uso e l'utilizzo dell'utensile a persone che non conoscono l'utensile o le presenti istruzioni.

Gli utensili elettrici sono estremamente pericolosi nelle mani di utenti non addestrati.

e) Manutenzione degli utensili elettrici. Controllare che non vi siano disallineamenti o impedimenti delle parti mobili, rotture di parti, perdite e qualsiasi altra condizione che possa compromettere il funzionamento dell'elettrostrumento.

Se danneggiato, far riparare l'elettrostrumento prima dell'uso. Molti incidenti e infortuni sono causati da una cattiva manutenzione degli utensili elettrici.

f) Mantenere tutti gli utensili da taglio affilati e puliti. Gli utensili da taglio sottoposti a una corretta manutenzione e dotati di bordi taglienti affilati hanno minori probabilità di piegarsi e sono più precisi e facili da controllare.

g) Utilizzare sempre l'elettrostrumento, gli accessori e le punte per utensili ecc. in conformità alle istruzioni del presente manuale, tenendo conto delle condizioni di lavoro e dell'attività da svolgere.

L'uso dell'elettrostrumento per applicazioni diverse da quelle previste potrebbe causare situazioni di pericolo.

Servizio

a) Affidare l'assistenza dell'elettrostrumento a un tecnico qualificato che utilizzi solo parti di ricambio identiche. In questo modo si garantisce la sicurezza dell'elettrostrumento.

Avvertenze di sicurezza specifiche per la macchina

- Non utilizzare dischi con una velocità di rotazione massima inferiore alla velocità di rotazione massima della smerigliatrice.
- Non utilizzare dischi di macinazione danneggiati (incrinati, spaccati) o non adatti al materiale da macinare.
- Non utilizzare dischi abrasivi che includono una boccola di riduzione.
- Quando si posizionano i dischi da sbavo nuovi o reinstallati, è necessario attendere 30 secondi senza carico. Tenere gli astanti a distanza di sicurezza durante la prova dell'elettrostrumento. Arrestare immediatamente l'utensile in caso di vibrazioni eccessive e risolvere il problema.
- Serrare la flangia di serraggio a sufficienza per trattenere saldamente la mola.
- Effettuare le misurazioni della velocità di rotazione a intervalli regolari e necessariamente dopo aver rimontato l'utensile.
- Prima di accendere l'utensile, verificare che la protezione sia impostata correttamente e non sia danneggiata.
- Prima di iniziare qualsiasi lavoro, verificare le condizioni del cavo di alimentazione e della spina.
- Scollegare sempre l'utensile prima di maneggiarlo (compresa la sostituzione dei dischi).
- Non applicare brutalmente la smerigliatrice sul materiale e non esercitare uno sforzo eccessivo durante la smerigliatura.
- Se la velocità di rotazione si riduce in modo anomalo, arrestare immediatamente l'utensile e scollegarlo dalla presa.
- Mantenere l'ingranaggio del pignone e i cuscinetti a rulli correttamente ingrassati.
- Mantenere pulita la smerigliatrice, in particolare le prese d'aria dell'unità.
- Non utilizzare mai l'utensile senza la protezione.
- **Non premere mai il pulsante di bloccaggio dell'asse mentre la smerigliatrice è in funzione. Prima di iniziare qualsiasi lavoro, verificare che l'asse di trasmissione non sia rimasto bloccato.**
- Non utilizzare mai i dischi da taglio lateralmente (esempio: smussatura).
- Assicurarsi che le dimensioni del disco siano compatibili con la smerigliatrice.
- I dischi abrasivi devono essere conservati o trasportati con cura secondo le istruzioni del produttore.
- Assicurarsi che i dischi di rettifica siano montati secondo le istruzioni del produttore.
- **Attenzione:** una mola continua a ruotare anche dopo lo spegnimento della smerigliatrice.

Contraccolpo e avvisi correlati

Il contraccolpo è una reazione improvvisa a una ruota rotante, a un platorello, a una spazzola o a un qualsiasi altro accessorio che si incastra o si impiglia. Il pizzicamento o l'impigliamento provoca un rapido arresto dell'accessorio rotante che, a sua volta, spinge l'elettrostrumento non controllato nella direzione opposta alla rotazione dell'accessorio nel punto in cui si è verificato l'impuntamento.

Ad esempio, se una ruota abrasiva viene agganciata o schiacciata dal pezzo in lavorazione, il bordo della ruota che entra nel punto di schiacciamento può scavare nella superficie del materiale causando la risalita o il distacco della ruota. La ruota può saltare verso l'operatore o allontanarsi da esso, a seconda della direzione del movimento della ruota nel punto di pizzicamento. Anche i dischi abrasivi possono rompersi in queste condizioni.

Il contraccolpo è il risultato di un uso improprio dell'elettrostrumento e/o di procedure o condizioni operative non corrette e può essere evitato adottando le precauzioni indicate di seguito.

Mantenere una presa salda sull'elettrostrumento e posizionare il corpo e il braccio in modo da resistere alle forze di contraccolpo.

Utilizzare sempre l'impugnatura ausiliaria, se prevista, per avere il massimo controllo sul contraccolpo o sulla reazione di coppia durante l'avviamento. L'operatore può controllare le reazioni di coppia o le forze di contraccolpo, se si prendono le dovute precauzioni.

Non avvicinare mai la mano all'accessorio rotante. L'accessorio potrebbe rimbalzare sulla mano.

Non posizionare il corpo nell'area in cui l'elettrotensile si muoverà in caso di contraccolpo. Il contraccolpo spinge l'utensile nella direzione opposta al movimento della ruota nel punto di aggancio.

Prestare particolare attenzione quando si lavorano angoli, spigoli vivi, ecc. Evitare di far rimbalzare e impigliare l'accessorio.


Gli angoli, gli spigoli vivi o i rimbalzi tendono ad agganciare l'accessorio rotante e a causare la perdita di controllo o il contraccolpo.

Non montare una lama per intaglio a catena o una lama dentata. Tali lame provocano frequenti contraccolpi e la perdita di controllo dell'elettrotensile.

Uso previsto

Le smerigliatrici angolari sono destinate al taglio, alla sgrossatura e alla spazzolatura di materiali metallici e lapidei senza l'uso di acqua. Possono essere utilizzate anche come strumenti di levigatura, se abbinati ai dischi e ai pad di levigatura appropriati e approvati. Le smerigliatrici per calcestruzzo sono adatte a smerigliare il cemento e altre superfici simili.

Descrizione funzionale e specifiche

La seguente numerazione si riferisce all'illustrazione della macchina riportata a pagina 2.		 * Gli accessori illustrati o descritti non sono incluso nella consegna standard.
1	Interruttore On/Off	<p>* Il produttore si riserva il diritto di apportare modifiche minori al design e alle specifiche tecniche del prodotto senza preavviso, a meno che tali modifiche non influiscano significativamente sulle prestazioni e sulla sicurezza dei prodotti. Le parti descritte/illustrate nelle pagine del manuale che avete tra le mani possono riguardare anche altri modelli della linea di prodotti del produttore con caratteristiche simili e potrebbero non essere incluse nel prodotto appena acquistato.</p> <p>* Per garantire la sicurezza e l'affidabilità del prodotto e la validità della garanzia, tutti gli interventi di riparazione, ispezione, riparazione o sostituzione, compresa la manutenzione e le regolazioni speciali, devono essere eseguiti esclusivamente da tecnici del servizio di assistenza autorizzato dal produttore.</p> <p>* Utilizzare sempre il prodotto con l'attrezzatura fornita. L'utilizzo del prodotto con apparecchiature non in dotazione può causare malfunzionamenti o addirittura lesioni gravi o morte. Il produttore e l'importatore non sono responsabili per lesioni e danni derivanti dall'uso di apparecchiature non conformi.</p>
1a	Pulsante di sicurezza dell'interruttore di On/Off	
2	Guardia di protezione	
3	Flangia interna	
4	Flangia esterna	
5	Pulsante di blocco del mandrino	
6	Selettore di regolazione della velocità*	
7	Pulsante di regolazione dell'impugnatura principale*	
8	Coperchio della presa a spazzola di carbone	
9	Maniglia secondaria*	
10	Chiave inglese*	
11	Fessure di ventilazione	

Dati tecnici

Modello:	BORSA1300	BORSA1500	BORSA1700	BORSA2400	BORSA7200	BORSA7800
Tensione nominale:	230V/120V	230V/120V	230V/120V	230V/120V	230V/120V	230V
Frequenza nominale:	50/60Hz	50/60Hz	50/60Hz	50/60Hz	50/60Hz	50Hz
Potenza in ingresso:	1010w	1400w	1700w	2400w	720w	840w
Velocità a vuoto:	3000-10000Rpm	10000Rpm	0-10500Rpm	6500Rpm	11000Rpm	11000Rpm
∅	125 mm	125 mm	125 mm	230 mm	125 mm	125 mm

Sicurezza elettrica

Il motore elettrico è stato progettato solo per una tensione specifica. Verificare sempre che l'alimentazione corrisponda alla tensione indicata sulla targhetta.

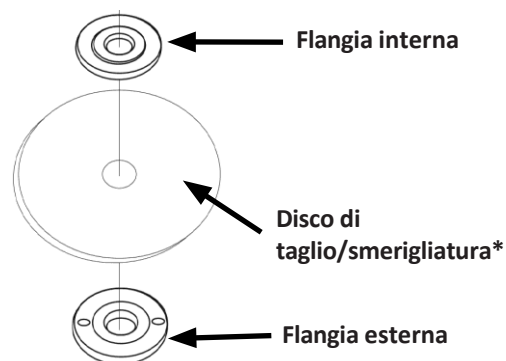
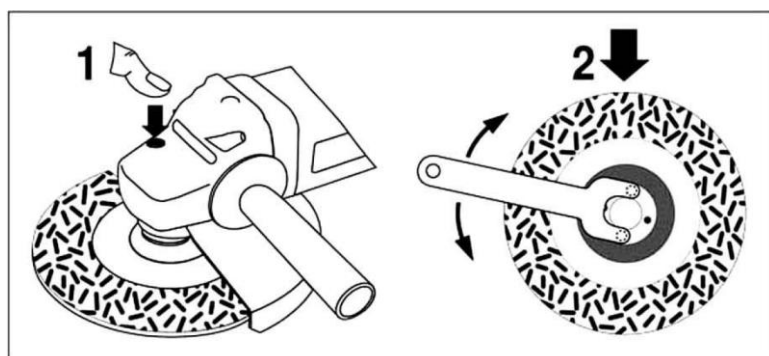
Istruzioni di montaggio - Regolazioni principali



Prima di utilizzare lo strumento, leggere tutte le istruzioni.

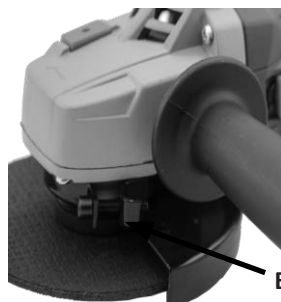
Smontaggio del gruppo mola

- Scollegare l'utensile dall'alimentazione a 230 volt.
- Serrare o allentare il dado della flangia (filettatura destra) con la chiave a perno e premendo il pulsante di bloccaggio del mandrino.
- Assicurarsi che la flangia interna e quella esterna siano posizionate nel giusto ordine e che siano serrate in modo sicuro.



Maniglia ausiliaria

Fissare l'impugnatura ausiliaria ruotandola in senso orario sui fori di fissaggio situati a destra o a sinistra (per determinati tipi di smerigliatrici, anche in alto) della testa di taglio della smerigliatrice.



Bullone



Morsetto

Guardia di protezione

Per regolare la posizione della protezione, allentare il bullone fissato sul collare e ruotare la protezione in senso orario o antiorario per impostarla nella posizione appropriata. Quindi serrare il bullone per bloccare la protezione nella posizione scelta. Per le protezioni a morsetto: sbloccare il morsetto, regolare la posizione della protezione e quindi spingere il morsetto per bloccarla nella posizione prescelta.

Istruzioni per l'uso

Interruttore On/Off

Attenzione: Prima di collegare l'utensile, accertarsi che l'interruttore sia correttamente azionato e che ritorni in posizione "OFF" quando si preme il dorso.

Per attivare l'utensile (ON), premere la parte posteriore dell'interruttore e spingerlo in avanti. Quindi premere la parte anteriore dell'interruttore finché non si blocca.

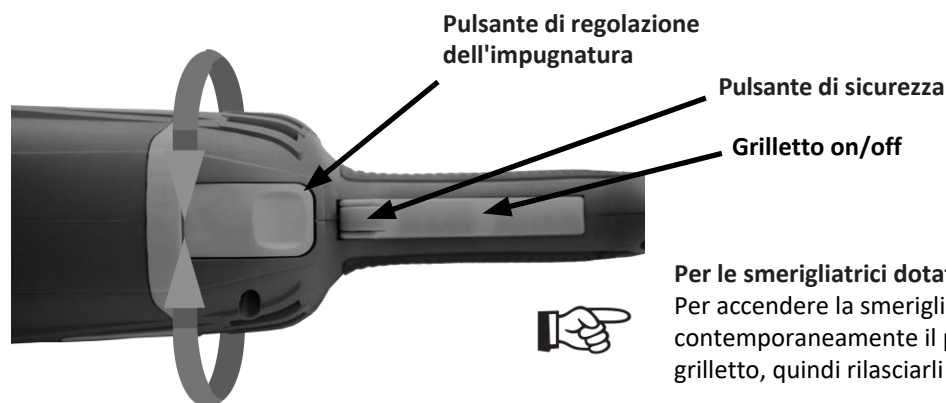
Per spegnere, premere il retro dell'interruttore.



Attendere sempre qualche secondo finché il disco non raggiunge la massima velocità di rotazione prima di molare o tagliare il pezzo.

Attenzione!

Interruttore On/Off a grilletto (*non incluso in tutti i modelli)



Maniglia principale regolabile (non inclusa in tutti i modelli)

Regolare la posizione dell'impugnatura principale premendo il pulsante situato accanto al grilletto e ruotare l'impugnatura in senso orario o antiorario per impostarla nella posizione desiderata.

Selettore di regolazione della velocità

Ruotare la rotella in senso orario per aumentare o in senso antiorario per diminuire la velocità massima di rotazione del mandrino di azionamento e del disco di taglio/ affilatura.



Nei modelli dotati di sistema di avviamento graduale, si noterà che la velocità di rotazione del disco aumenta gradualmente. Questo fa parte del normale funzionamento degli utensili e non deve preoccupare.

Smaltimento

L'elettro utensile, gli accessori e l'imballaggio devono essere smistati per essere riciclati in modo ecologico.



Solo per i Paesi dell'UE:

Non smaltire gli utensili elettrici nei rifiuti domestici!

Secondo la Direttiva europea 2002/96/CE sui rifiuti di apparecchiature elettriche ed elettroniche e la sua implementazione nel diritto nazionale, gli utensili elettrici non più utilizzabili devono essere raccolti separatamente e smaltiti in modo corretto dal punto di vista ambientale.

Εικονογράμματα Κινδύνου



Διπλή μόνωση



Φοράτε γυαλιά ή μάσκα ασφαλείας



Σημαντική πληροφορία!



Προσοχή
Κίνδυνος!



Φοράτε ακουστικά προστασίας ή ωτοασπίδες



Για να μειώσετε τον κίνδυνο τραυματισμού, διαβάστε τις παρακάτω οδηγίες.



Φοράτε μάσκα προστασίας από την σκόνη

Οδηγίες Ασφαλούς Χρήσης



Διαβάστε όλες τις προειδοποιητικές υποδείξεις. Αμέλειες κατά την τήρηση των προειδοποιητικών υποδείξεων μπορεί να προκαλέσουν ηλεκτροπληξία, κίνδυνο πυρκαγιάς ή/και σοβαρούς τραυματισμούς.

Ο ορισμός «Ηλεκτρικό εργαλείο» που χρησιμοποιείται στις προειδοποιητικές υποδείξεις αναφέρεται σε ηλεκτρικά εργαλεία που τροφοδοτούνται από το ηλεκτρικό δίκτυο (με ηλεκτρικό καλώδιο) καθώς και σε ηλεκτρικά εργαλεία που τροφοδοτούνται από μπαταρία (χωρίς ηλεκτρικό καλώδιο).



Φυλάξτε το εγχειρίδιο σε ένα ασφαλές σημείο για κάθε μελλοντική χρήση.

1) Ασφάλεια στο χώρο εργασίας

- Διατηρείτε τον χώρο εργασίας καθαρό και επαρκώς φωτισμένο. Η ακαταστασία και η ανεπαρκώς φωτισμένες περιοχές εργασίας μπορεί να οδηγήσουν σε ατυχήματα και τραυματισμό.
- Μην εργάζεστε με το ηλεκτρικό εργαλείο σε χώρους όπου υπάρχει κίνδυνος έκρηξης, στο οποίο υπάρχουν εύφλεκτα υγρά, αναθυμιάσεις, αέρια ή σκόνη. Τα ηλεκτρικά εργαλεία ενδέχεται να δημιουργήσουν σπινθηρισμό ο οποίος μπορεί να αναφλέξει τη σκόνη ή τις αναθυμιάσεις.
- Όταν χρησιμοποιείτε το ηλεκτρικό εργαλείο κρατάτε τα παιδιά κι άλλα τυχόν παρευρισκόμενα άτομα σε ασφαλή απόσταση. Η απόσπαση της προσοχής μπορεί να οδηγήσει στην απώλεια ελέγχου του εργαλείου/μηχανήματος.

2) Ηλεκτρική ασφάλεια

- Το φισ του καλωδίου του ηλεκτρικού εργαλείου πρέπει να είναι συμβατό με την πρίζα. Δεν επιτρέπεται η οποιαδήποτε μετατροπή του φισ. Μη χρησιμοποιείτε αντάπτορες σε συνδυασμό με γειωμένα ηλεκτρικά εργαλεία. Τα ανέπαφα φισ και οι σωστές πρίζες μειώνουν τον κίνδυνο ηλεκτροπληξίας.
- Αποφεύγετε την επαφή με γειωμένες επιφάνειες όπως είναι οι σωλήνες, τα θερμαντικά σώματα (καλοριφέρ), κουζίνες ή ψυγεία. Όταν το σώμα σας γειώνεται αυξάνεται ο κίνδυνος ηλεκτροπληξίας.
- Μην εκθέτετε τα μηχανήματα και τα εργαλεία στη βροχή ή την υγρασία. Η διείσδυση νερού σ' ένα ηλεκτρικό εργαλείο αυξάνει τον κίνδυνο ηλεκτροπληξίας.
- Μη χρησιμοποιείτε το ηλεκτρικό καλώδιο για να μεταφέρετε ή να μετακινήσετε το ηλεκτρικό εργαλείο, ή για να βγάλετε το φισ από την πρίζα. Κρατάτε το ηλεκτρικό καλώδιο μακριά από υπερβολικές θερμοκρασίες, κοφτερές ακμές και/ή από κινητά εξαρτήματα. Τυχόν χαλασμένα ή περιπλεγμένα ηλεκτρικά καλώδια αυξάνουν τον κίνδυνο ηλεκτροπληξίας.
- Όταν εργάζεστε μ' ένα ηλεκτρικό εργαλείο σε εξωτερικό χώρο, χρησιμοποιείτε καλώδια προέκτασης (μπαλαντζές) που είναι κατάλληλα και για χρήση σε εξωτερικούς χώρους. Η χρήση καλωδίων προέκτασης κατάλληλων για εξωτερικούς χώρους ελαττώνει τον κίνδυνο ηλεκτροπληξίας.
- Όταν η χρήση του ηλεκτρικού εργαλείου σε περιβάλλοντα με υγρασία είναι αναπόφευκτη, τότε χρησιμοποιήστε έναν διακόπτη προστασίας διαρροής (διακόπτη RCD). Η χρήση ενός διακόπτη προστασίας διαρροής ελαττώνει τον κίνδυνο ηλεκτροπληξίας.

3) Προσωπική ασφάλεια

- Να είστε πάντοτε προσεκτικοί, να δίνετε προσοχή στην εργασία που εκτελείτε και να χειρίζεστε το μηχάνημα με σύνεση. Δεν επιτρέπεται η χρήση του εργαλείου από τον χειριστή όταν υπάρχουν ενδείξεις κόπωσης, ή όταν βρίσκεται υπό την επιρροή ναρκωτικών, αλκοόλ ή φαρμακευτικών ουσιών. Ένα στιγμιαίο λάθος κατά το χειρισμό του ηλεκτρικού εργαλείου μπορεί να οδηγήσει σε σοβαρό τραυματισμό.
- Φοράτε κατάλληλο εξοπλισμό ατομικής προστασίας. Επιλέξτε τον κατάλληλο εξοπλισμό προστασίας όπως είναι μια μάσκα προστασίας από την σκόνη, τα αντιολισθητικά υποδήματα ασφαλείας, το κράνος προστασίας και τα ακουστικά προστασίας ή οι ωτοασπίδες, ανάλογα με το εκάστοτε εργαλείο και τη χρήση του, έτσι ώστε να μειωθεί ο κίνδυνος τραυματισμού.

γ) Προστατευθείτε από την ακούσια εκκίνηση.

Βεβαιωθείτε ότι το ηλεκτρικό εργαλείο έχει απενεργοποιηθεί πριν το συνδέσετε με το ηλεκτρικό δίκτυο ή με την μπαταρία του όπως επίσης και πριν το μεταφέρετε. Όταν μεταφέρετε το ηλεκτρικό εργαλείο ακουμπώντας το δάχτυλό σας στο διακόπτη ON/OFF ή όταν συνδέσετε το εργαλείο με την πηγή ρεύματος όταν αυτό είναι ενεργοποιημένο, τότε δημιουργείται κίνδυνος τραυματισμού.

δ) Αφαιρείτε από τα ηλεκτρικά εργαλεία τυχόν εργαλεία ρύθμισης πριν θέσετε το ηλεκτρικό εργαλείο σε λειτουργία. Ένα εργαλείο ρύθμισης που βρίσκεται συνδεδεμένο σ' ένα κινούμενο τμήμα μπορεί να οδηγήσει σε τραυματισμό.

ε) Μην υπερεκτιμάτε τις ικανότητές σας. Επιλέξτε μια σωστή στάση του σώματος και διατηρείτε πάντοτε την ισορροπία σας έτσι ώστε να είστε σε θέση να αντιμετωπίσετε απροσδόκητες περιστάσεις.

στ) Ντυθείτε με τα κατάλληλα ενδύματα. Μη φοράτε ρούχα με χαλαρή εφαρμογή ή κοσμήματα. Κρατήστε τα μαλλιά σας, τα ρούχα σας και τα γάντια σας σε ασφαλή απόσταση από τα κινούμενα εξαρτήματα.

Τα χαλαρά ενδύματα, τα κοσμήματα ή τα μακριά μαλλιά μπορεί να εμπλακούν στα κινούμενα εξαρτήματα του εργαλείου.

ζ) Όταν υπάρχει η δυνατότητα σύνδεσης ενός συστήματος συλλογής σκόνης, βεβαιωθείτε ότι τα όλα τα εξαρτήματα και οι συνδέσεις εφαρμόζουν σωστά. Η χρήση ενός συστήματος αναρρόφησης - συλλογής της σκόνης μπορεί να μειώσει τον κίνδυνο που προκαλείται από τη σκόνη.

4) Ορθότητα χειρισμού και συντήρηση ηλεκτρικών εργαλείων

α) Μην υπερφορτώνετε το εργαλείο. Χρησιμοποιείτε το ανάλογο ηλεκτρικό εργαλείο που προορίζεται για την εκτέλεση της εκάστοτε εργασίας. Με το εργαλείο αυτό θα μπορείτε να εργάζεστε καλύτερα και ασφαλέστερα εντός του επιπέδου ικανοτήτων και απόδοσής του.

β) Μη χρησιμοποιήσετε ποτέ ένα εργαλείο που έχει διακόπτη ο οποίος δεν λειτουργεί σωστά. Ένα ηλεκτρικό εργαλείο το οποίο δεν μπορείτε πλέον να ενεργοποιήσετε ή/και να απενεργοποιήσετε είναι επικίνδυνο και πρέπει να παραδοθεί προς επισκευή.

γ) Αποσυνδέστε το φις τροφοδοσίας από την πρίζα και/ή αποσυνδέστε την μπαταρία πριν εκτελέσετε στο εργαλείο οποιαδήποτε εργασία ρύθμισης, πριν αντικαταστήσετε ένα εξάρτημα ή όταν πρόκειται να αποθηκεύσετε το εργαλείο. Αυτά τα μέτρα πρόληψης μειώνουν τον κίνδυνο από τυχόν ακούσια εκκίνηση του ηλεκτρικού εργαλείου.

δ) Αποθηκεύστε τα ηλεκτρικά εργαλεία όταν δεν πρόκειται να χρησιμοποιηθούν σε μη προσβάσιμο σημείο από τα παιδιά. Δεν επιτρέπεται η χρήση του εργαλείου από άτομα που δεν έχουν εξοικειωθεί με την χρήση του ή δεν έχουν διαβάσει τις οδηγίες του εγχειριδίου του. Τα ηλεκτρικά εργαλεία είναι επικίνδυνα όταν χρησιμοποιούνται από άτομα που δεν έχουν εμπειρία χρήσης στα συγκεκριμένα εργαλεία και στις λειτουργίες τους.

ε) Χειριστείτε προσεκτικά το ηλεκτρικό εργαλείο. Ελέγχετε, αν τα κινούμενα τμήματα λειτουργούν σωστά, αν υπάρχει κάποιο μπλοκάρισμα, ή αν έχουν σπάσει σε κάποιο σημείο ή φθαρεί εξαρτήματα τα οποία ενδέχεται να επηρεάσουν την λειτουργία του ηλεκτρικού εργαλείου. Παραδώστε το εργαλείο για επισκευή πριν το επαναχρησιμοποιήσετε. Η λανθασμένη ή μερική συντήρηση των ηλεκτρικών εργαλείων αποτελεί αιτία πολλών ατυχημάτων.

στ) Διατηρείτε τα εργαλεία κοπής αιχμηρά και σε καλή κατάσταση. Τα επαρκώς συντηρημένα κοπτικά εργαλεία είναι πιο δύσκολο να μπλοκαρισθούν και έχουν μεγαλύτερη ακρίβεια.

ζ) Χρησιμοποιείτε όλα τα τμήματα του εξοπλισμού και το ίδιο το εργαλείο σύμφωνα με τις οδηγίες του εγχειριδίου.

Λαμβάνετε επίσης υπόψη σας τους εξωτερικούς παράγοντες και τις συνθήκες της εκάστοτε εργασίας.

Η χρήση των ηλεκτρικών εργαλείων για εργασίες άλλες από τις προβλεπόμενες μπορεί να δημιουργήσει επικίνδυνες καταστάσεις.

5) Service

α) Παραδώστε το ηλεκτρικό εργαλείο για επισκευή σε ένα εξουσιοδοτημένο τμήμα Service επιλέγοντας γνήσια ανταλλακτικά.

Έτσι εξασφαλίζετε τη διατήρηση της ασφάλειας του εργαλείου.

*Ο κατασκευαστής διατηρεί το δικαίωμα να πραγματοποιήσει δευτερεύουσες αλλαγές στο σχεδιασμό του προϊόντος και στα τεχνικά χαρακτηριστικά χωρίς προηγούμενη ειδοποίηση, εκτός εάν οι αλλαγές αυτές επηρεάζουν σημαντικά την απόδοση και λειτουργία ασφάλειας των προϊόντων. Τα εξαρτήματα που περιγράφονται / απεικονίζονται στις σελίδες του εγχειριδίου που κρατάτε στα χέρια σας ενδέχεται να αφορούν και σε άλλα μοντέλα της σειράς προϊόντων του κατασκευαστή, με παρόμοια χαρακτηριστικά, και ενδέχεται να μην περιλαμβάνονται στο προϊόν που μόλις αποκτήσατε.

*Για να διασφαλιστεί η ασφάλεια και η αξιοπιστία του προϊόντος καθώς και η ισχύς της εγγύησης όλες οι εργασίες επιδιόρθωσης, ελέγχου, επισκευής ή αντικατάστασης συμπεριλαμβανομένης της συντήρησης και των ειδικών ρυθμίσεων, πρέπει να εκτελούνται μόνο από τεχνικούς του εξουσιοδοτημένου τμήματος Service του κατασκευαστή.

*Χρησιμοποιείτε πάντα το προϊόν με τον παρεχόμενο εξοπλισμό. Η λειτουργία του προϊόντος με μη-προβλεπόμενο εξοπλισμό ενδέχεται να προκαλέσει βλάβη ή ακόμα και σοβαρό τραυματισμό ή θάνατο. Ο κατασκευαστής και ο εισαγωγέας ουδεμία ευθύνη φέρει για τραυματισμούς και βλάβες που προκύπτουν από την χρήση μη προβλεπόμενου εξοπλισμού.

Ειδικές Συμβουλές Ασφαλείας

- Μην χρησιμοποιείτε δίσκους λείανσης/κοπής με μέγιστη περιστροφική ταχύτητα κατώτερη από τη μέγιστη περιστροφική ταχύτητα του εργαλείου.
- Μην χρησιμοποιείτε φθαρμένους δίσκους (ραγίσματα, σπασίματα) ή μη κατάλληλους για την κατεργασία του υλικού κατεργασίας.
- Μην χρησιμοποιείτε δίσκους λείανσης με μειωτήρες.
- Κάντε μια δοκιμή 30 δευτερολέπτων, όταν τοποθετείτε νέους δίσκους ή τους επανατοποθετείτε. Κρατήστε τυχόν παρευρισκόμενους σε ασφαλή απόσταση κατά τη δοκιμή του ηλεκτρικού εργαλείου. Σταματήστε το εργαλείο αμέσως σε περίπτωση που αντιληφθείτε πως έχουν αυξηθεί οι κραδασμοί και επιλύστε το πρόβλημα.
- Σφίξτε τη φλάντζα σύσφιξης επαρκώς για να σταθεροποιήσετε τον δίσκο με ασφάλεια.
- Εκτελείτε μετρήσεις της ταχύτητας περιστροφής ανά τακτά χρονικά διαστήματα και ιδιαίτερα μετά την επανασυναρμολόγηση του εργαλείου.
- Βεβαιωθείτε ότι ο προφυλακτήρας έχει ρυθμιστεί σωστά και δεν έχει υποστεί κάποια βλάβη πριν ενεργοποιήσετε το εργαλείο.
- Πριν ξεκινήσετε οποιαδήποτε εργασία, ελέγξτε την κατάσταση του καλωδίου τροφοδοσίας και του φις.
- Αποσυνδέετε πάντοτε το φις του εργαλείου από την πρίζα προτού πραγματοποιήσετε οποιαδήποτε εργασία στο ίδιο το εργαλείο.
- Μην ασκείτε υπερβολική πίεση στο υλικό κατεργασίας και μην υπερφορτώνετε το εργαλείο.
- Αν η ταχύτητα περιστροφής μειώνεται ασυνήθιστα, διακόψτε αμέσως την λειτουργία του εργαλείου και αποσυνδέστε το φις από την πρίζα.
- Βεβαιωθείτε πως τα γρανάζια και τα υπόλοιπα εξαρτήματα έχουν λιπανθεί σωστά.
- Κρατήστε τον γωνιακό τροχό καθαρό και ειδικά τις σπές αερισμού-ψύξης.
- Ποτέ μην χρησιμοποιείτε το εργαλείο χωρίς τα εξαρτήματα προστασίας/ασφαλείας.
- **Μην πιέζετε ποτέ το κουμπί ασφάλισης του άξονα κατά την διάρκεια λειτουργίας του εργαλείου. Πριν ξεκινήσετε οποιαδήποτε εργασία, βεβαιωθείτε ότι ο άξονας κίνησης έχει απασφαλιστεί.**
- Ποτέ μην χρησιμοποιείτε δίσκους κοπής προς τα πλάγια (π.χ για διαμόρφωση αυλακώσεων).
- Βεβαιωθείτε ότι οι διαστάσεις του δίσκου λείανσης είναι συμβατές με το ηλεκτρικό εργαλείο.
- Οι δίσκοι λείανσης πρέπει να αποθηκεύονται ή να μεταφέρονται με προσοχή σύμφωνα με τις οδηγίες του κατασκευαστή.
- Βεβαιωθείτε ότι οι δίσκοι λείανσης είναι τοποθετημένοι σύμφωνα με τις οδηγίες του κατασκευαστή.
- **Προειδοποίηση:** Ο δίσκος συνεχίζει να περιστρέφεται μετά την απενεργοποίηση του εργαλείου.

Κλότσημα και συναφείς προειδοποιήσεις

Το κλότσημα είναι μια ακαριαία αντίδραση που παρουσιάζεται κατά την περιστροφή των εξαρτημάτων του εργαλείου. Κατά την περιστροφή τους τα κινούμενα εξαρτήματα (δίσκοι λείανσης, δίσκοι κοπής, βούρτσες, πέλματα κ.α.) ενδέχεται να πιαστούν μέσα στο υλικό πράγμα το οποίο μπορεί να οδηγήσει σε ανάδρομη ώθηση και με την σειρά του σε απώλεια ελέγχου. Για παράδειγμα κατά την κατεργασία ενός υλικού ο δίσκος λείανσης μπορεί να πιαστεί μέσα στο υλικό και να τείνει να αναπηδήσει προς τα έξω. Η αναπήδηση αυτή μπορεί να έχει κατεύθυνση από και προς το μέρος του χειριστή ανάλογα με την φορά περιστροφής του δίσκου. Οι δίσκοι ενδέχεται να σπάσουν υπό αυτές τις συνθήκες. Το κλότσημα είναι αποτέλεσμα λανθασμένης χρήσης του εργαλείου και μπορεί να αποφευχθεί ακολουθώντας τις παρακάτω οδηγίες. Κρατήστε σφικτά και σταθερά το εργαλείο και τοποθετήστε το σώμα σας και τον ώμο σας έτσι ώστε να έχετε την δυνατότητα να φέρετε αντίσταση στο κλότσημα. Χρησιμοποιήστε πάντοτε την βοηθητική λαβή εφόσον παρέχεται, έτσι ώστε να έχετε τον πλήρη έλεγχο του κλοστήματος και των υπόλοιπων αντιδράσεων που παρουσιάζονται κατά την διάρκεια την εργασίας και την εκκίνηση της. Όλες οι παραπάνω αντιδράσεις μπορούν υπό φυσιολογικές συνθήκες να αντιμετωπιστούν από τον χειριστή εάν έχουν ληφθεί τα απαιτούμενα μέτρα.

Ποτέ μην φέρετε το χέρι σας κοντά στα κινούμενα μέρη, μπορεί να γίνει κλότσημα προς το χέρι σας.

Μην τοποθετείτε το σώμα σας στην περιοχή την οποία μπορεί να κινηθεί το εργαλείο όταν γίνει το κλότσημα. Το κλότσημα συνήθως δημιουργεί την τάση μετακίνησης του σώματος του εργαλείου αντίθετα από την φορά περιστροφής του δίσκου. Δώστε μεγάλη προσοχή όταν χρησιμοποιείτε το εργαλείο κοντά σε γωνίες, αιχμηρές ακμές κτλ. Αποφύγετε τις αναπηδήσεις και τα μπλοκαρίσματα των παρελκομένων. Οι γωνίες και οι αιχμές έχουν την ιδιότητα να μπλοκάρουν τα περιστρεφόμενα μέρη και με την σειρά τους να οδηγήσουν σε απώλεια ελέγχου.

Ποτέ μην τοποθετήσετε δίσκο κοπής ξύλου ή σύστημα κοπής με αλυσίδα. Αυτού του τύπου οι δίσκοι προκαλούν συχνά κλότσημα και μπορεί να είναι εξαιρετικά επικίνδυνα.

Προβλεπόμενη χρήση

Οι γωνιακοί τροχοί προορίζονται για την κοπή, την λείανση και το βούρτσισμα μεταλλικών επιφανειών και των δομικών υλικών χωρίς τη χρήση νερού.

Μπορούν επίσης να χρησιμοποιηθούν ως εργαλεία λείανσης σε συνδυασμό με τους κατάλληλους δίσκους λείανσης και πέλματα.

Οι λειαντήρες μετετού είναι κατάλληλοι για λείανση τσιμέντου και άλλων παρόμοιων επιφανειών.

Περιγραφή τμημάτων και εξαρτημάτων

Η ακόλουθη αρίθμηση αναφέρεται στην απεικόνιση του εργαλείου που θα βρείτε στην σελίδα 2.



*Τα εξαρτήματα που απεικονίζονται ή περιγράφονται ενδέχεται να μην αποτελούν μέρος της συγκεκριμένης έκδοσης.

1	Διακόπτης On/Off
1a	Κουμπί ασφαλείας διακόπτη On/Off*
2	Προφυλακτήρας
3	Εσωτερική φλάντζα σταθεροποίησης
4	Εξωτερική φλάντζα σύσφιξης
5	Κουμπί ασφάλισης του άξονα κίνησης
6	Επιλογέας ρύθμισης της ταχύτητας περιστροφής*
7	Κουμπί απασφάλισης της βασικής χειρολαβής*
8	Κάλυμμα υποδοχής συγκράτησης ψηκτρών
9	Δευτερεύουσα - Βοηθητική χειρολαβή*
10	Κλειδί σύσφιξης φλάντζας*
11	Οπές αερισμού-ψύξης

Τεχνικά Χαρακτηριστικά

Μοντέλο:	BAG1300	BAG1500	BAG1700	BAG2400	BAG7200	BAG7800
Όνομαστική Τάση:	230V/120V	230V/120V	230V/120V	230V/120V	230V/120V	230V
Όνομαστική Συχνότητα:	50/60Hz	50/60Hz	50/60Hz	50/60Hz	50/60Hz	50Hz
Ισχύς εισόδου:	1010w	1400w	1700w	2400w	720w	840w
Ταχύτητα χωρίς φορτίο:	3000-10000Rpm	10000Rpm	0-10500Rpm	6500Rpm	11000Rpm	11000Rpm
∅	125mm	125mm	125mm	230mm	125mm	125mm

Ηλεκτρική Ασφάλεια

Ο ηλεκτροκινητήρας έχει σχεδιαστεί μόνο για μια συγκεκριμένη τάση. Ελέγχετε πάντα εάν η τροφοδοσία ρεύματος αντιστοιχεί έχει την ανάλογη τάση όπως αναγράφεται στην πινακίδα τεχνικών χαρακτηριστικών του εργαλείου.

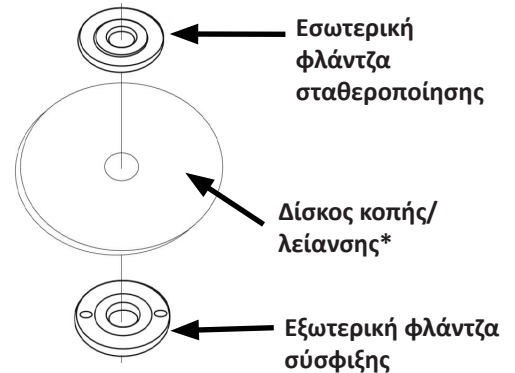
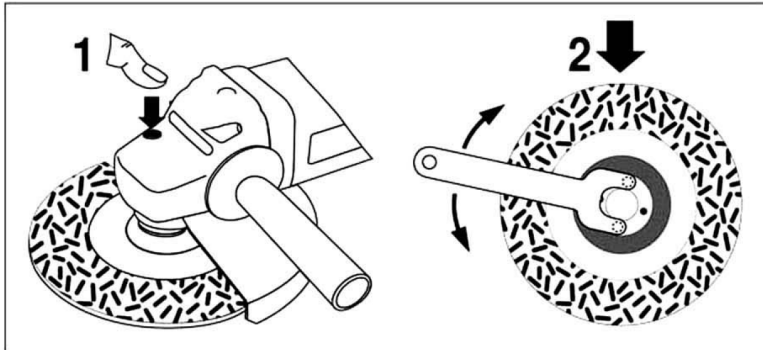
Οδηγίες Συναρμολόγησης - Βασικές Ρυθμίσεις



Διαβάστε τις οδηγίες του εγχειριδίου προτού χρησιμοποιήσετε το ηλεκτρικό εργαλείο.

Αντικατάσταση του δίσκου κοπής / λείανσης

- Αποσυνδέστε το εργαλείο από την παροχή τροφοδοσίας 230v.
- Σφίξτε ή χαλαρώστε την φλάντζα (δεξιόστροφο σπείρωμα) με το κλειδί σύσφιξης και πιέζοντας το κουμπί ασφάλισης του άξονα.
- Βεβαιωθείτε ότι η εσωτερική και η εξωτερική φλάντζα είναι τοποθετημένες με τη σωστή σειρά και ότι είναι σωστά σφιγμένες.

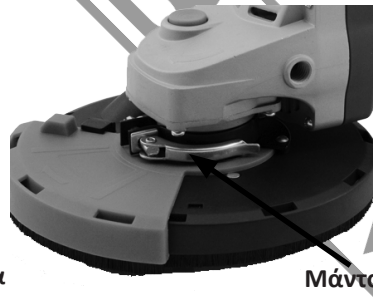


Βοηθητική λαβή

Συνδέστε τη βοηθητική λαβή βιδώνοντας την στις οπές σύνδεσης που βρίσκονται στα δεξιά ή στα αριστερά (για συγκεκριμένους τύπους γωνιακών τροχών, επίσης στην κορυφή) της κεφαλής του εργαλείου.



Βίδα



Μάνταλο

Προφυλακτήρας

Για να ρυθμίσετε τη θέση του προφυλακτήρα χαλαρώστε το μπουλόνι που βρίσκεται στο κολάρο και περιστρέψτε τον προφυλακτήρα δεξιόστροφα ή αριστερόστροφα για να τον ρυθμίσετε στην επιθυμητή θέση. Στη συνέχεια, σφίξτε το μπουλόνι για να ασφαλίσετε τον προφυλακτήρα στην επιλεγμένη θέση. Για προφυλακτήρες που φέρουν μάνταλο: απασφαλίστε το μάνταλο, ρυθμίστε τη θέση του προφυλακτήρα και στη συνέχεια απλώστε το μάνταλο για να ασφαλίσετε τον προφυλακτήρα στην επιθυμητή θέση.

Οδηγίες Λειτουργίας

Διακόπτης On/Off

Προσοχή: Πριν συνδέσετε το εργαλείο, βεβαιωθείτε ότι ο διακόπτης ενεργοποιείται σωστά και επιστρέφει στη θέση "OFF" όταν πιέζεται το πίσω μέρος του.

Για να ενεργοποιήσετε το εργαλείο (ON), πατήστε το πίσω μέρος του διακόπτη και σπρώξτε το προς τα εμπρός. Στη συνέχεια πιέστε το μπροστινό μέρος του διακόπτη μέχρι να ασφαλίσει.

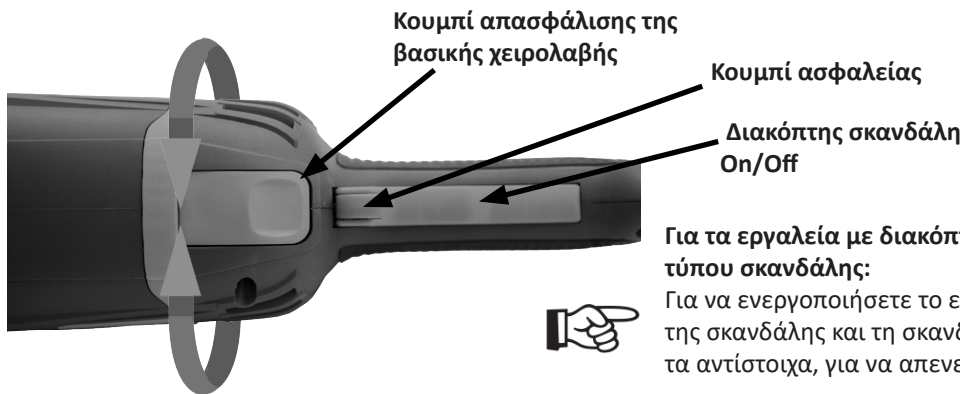
Για να απενεργοποιήσετε το εργαλείο, πατήστε το πίσω μέρος του διακόπτη.



ΠΡΟΣΟΧΗ!

Πάντα να περιμένετε μερικά δευτερόλεπτα μέχρι ο δίσκος να φτάσει στη μέγιστη ταχύτητα περιστροφής πριν από την λείανση ή την κοπή του τεμαχίου κατεργασίας.

Διακόπτης σκανδάλης On/Off (* δεν περιλαμβάνεται σε όλα τα μοντέλα)



Για τα εργαλεία με διακόπτη ενεργοποίησης/απενεργοποίησης τύπου σκανδάλης:

Για να ενεργοποιήσετε το εργαλείο πιέστε το κουμπί ασφαλείας της σκανδάλης και τη σκανδάλη ταυτόχρονα και απελευθερώστε τα αντίστοιχα, για να απενεργοποιήσετε το εργαλείο.

Ρυθμιζόμενη χειρολαβή (δεν περιλαμβάνεται σε όλα τα μοντέλα)*

Ρυθμίστε τη θέση της κύριας χειρολαβής πιέζοντας το κουμπί που βρίσκεται δίπλα στη σκανδάλη και περιστρέφοντας τη λαβή δεξιόστροφα ή αριστερόστροφα στην επιθυμητή θέση.

Επιλογέας ρύθμισης της ταχύτητας περιστροφής*

Περιστρέψτε την ροδέλα δεξιόστροφα για να αυξήσετε ή αριστερόστροφα για να μειώσετε αντίστοιχα τη μέγιστη ταχύτητα περιστροφής του άξονα κίνησης και του δίσκου κοπής / λείανσης.



Για μοντέλα που περιλαμβάνουν σύστημα προεκκίνησης, θα παρατηρήσετε ότι η ταχύτητα περιστροφής του δίσκου αυξάνεται σταδιακά.

Αυτό είναι μέρος της κανονικής λειτουργίας των εργαλείων και δεν πρέπει να σας ανησυχεί.

Απόρριψη - Ανακύκλωση

Το ηλεκτρικό εργαλείο, καθώς και τα εξαρτήματα και η συσκευασία του πρέπει να απορρίπτονται με φιλικό προς το περιβάλλον τρόπο για ανακύκλωση.

**Μόνο για τις χώρες της ΕΕ:**

Μην απορρίπτεται τα ηλεκτρικά εργαλεία μαζί με τα οικιακά απορρίμματα!

Σύμφωνα με την Ευρωπαϊκή Οδηγία 2002/96/ΕΚ για τα Απόβλητα Ηλεκτρικού και Ηλεκτρονικού Εξοπλισμού και την εφαρμογή της στο εθνικό δίκαιο, τα ηλεκτρικά εργαλεία που δεν είναι πλέον χρησιμοποιήσιμα πρέπει να συλλέγονται ξεχωριστά και να απορρίπτονται με περιβαλλοντικά ορθό τρόπο.



Пиктограми - предупредителни етикети



Двойна
изолация



Носете предпазни
очила оборудване



Важна информация



Предупреждение!



Носете защита на ушите
оборудване



Носете маска за прах



За да намалите риска от нараняване, моля, прочетете
следните инструкции.

Общи правила за безопасност



ПРЕДУПРЕЖДЕНИЕ! Прочетете всички инструкции, неспазването на всички инструкции, изброени по-долу, може да доведе до токов удар, пожар и/или сериозно нараняване. Терминът "електроинструмент" във всички изброени по-долу предупреждения се отнася до вашия електроинструмент, работещ от мрежата (с кабел), или електроинструмент, работещ с батерия (с акумулатор).



МОЛЯ, СЪХРАНЯВАЙТЕ РЪКОВОДСТВОТО ЗА ЕКСПЛОАТАЦИЯ НА СИГУРНО МЯСТО

Безопасност на работното място

- Моля, поддържайте работната зона чиста и добре осветена. Тъмните или затрупани места могат да доведат до инциденти.
- Не работете с електроинструменти във взривоопасна атмосфера, например в присъствието на запалими течности или изпарения, газове или прах. Електрическите инструменти могат да предизвикат искри, които да възпламенят газовете или изпаренията.
- Моля, дръжте децата и околните на безопасно разстояние, докато работите с електроинструмента.

Електрическа безопасност

- Уверете се, че щепселите на електроинструментите съответстват на контакта. Никога не модифицирайте щепсела по какъвто и да е начин. Не използвайте адаптерни щепсели със заземени електроинструменти. Използването на немодифицирани щепсели и съответстващи контакти ще намали риска от токов удар и други наранявания.
- Избягвайте контакт на тялото със заземени материали или предмети, като например радиатори, тръби, печки и хладилници. Съществува огромен риск от токов удар, ако тялото ви е заземено или заземено.
- Не излагайте електроинструментите на дъжд или други влажни условия. Навлизането на вода в електроинструмента може да увеличи риска от токов удар.
- Не злоупотребявайте със захранващия кабел. Никога не използвайте кабела за пренасяне, дърпане или изключване на електрическия инструмент. Съхранявайте кабела на безопасно разстояние от топлина, масло, остри ръбове и всякакви движещи се части. Повредените или заплетени шнурове ще увеличат риска от токов удар.
- Когато работите с електрически инструмент на открито, използвайте удължител с подходящи спецификации за използване на открито. Използването на удължител, подходящ за употреба на открито, намалява риска от токов удар.
- Ако работата с електроинструмента на влажно място не може да бъде избегната, използвайте захранване, защитено с устройство за защита от остатъчен ток (RCD). Използването на RCD намалява риска от токов удар.

Лична безопасност

- Бъдете нащрек, внимавайте какво правите и използвайте здрав разум, когато работите с електроинструмент. Не използвайте електроинструмент, докато се чувствате уморени или сте под въздействието на алкохол, наркотици или лекарства. Момент на невнимание по време на работа с електроинструмент може да доведе до сериозно нараняване.
- Моля, използвайте лични предпазни средства. Винаги носете предпазни очила. Защитното оборудване, като например маска за прах или защита на слуха, нехлъзгащи се предпазни обувки или защитни каски, използвани при подходящи условия, ще намалят личните наранявания.
- Предотвратяване на непреднамерено стартиране. Уверете се, че превключвателят на захранването е в изключено положение, преди да свържете към източника на захранване и/или акумулаторната батерия, да вдигнете или пренесете електроинструмента. Пренасянето на електроинструменти с пръст върху превключвателя на захранването или включването на електроинструменти, които са с превключвател във включено положение, приканва към злополуки.
- Преди да включите електроинструмента, извадете всички регулиращи ключове или гаечни ключове. Инструмент, оставен прикрепен към въртяща се част на електроинструмента, може да доведе до нараняване на хора.
- Не прекалявайте. Поддържайте равновесие и правилна стойка през цялото време. Това помага за по-добър контрол върху електроинструмента в неочаквани ситуации.
- Облечете се подходящо. Не носете свободни дрехи или бижута. Дръжте косата, дрехите и ръкавиците си далеч от движещите се части. Свободните дрехи, бижутата и/или дългата коса могат да бъдат захванати от движещите се части.

Използване на електрически инструменти и грижи

- Моля, не използвайте сила в електроинструмента. Използвайте подходящия електроинструмент за всяко приложение. Правилният електроинструмент винаги ще свърши работата по-добре и по-безопасно, когато се използва по предназначение.

b) Не използвайте електроинструмента, ако превключвателят не го активира или деактивира. Всеки електроинструмент, който не може да се управлява с превключвателя, е изключително опасен и трябва да се ремонтира.

c) Изключете главния щепсел от източника на захранване и/или акумулаторната батерия от електроинструмента, преди да смените аксесоари, да извършвате каквито и да било настройки или да съхранявате електроинструментите. Тези превантивни мерки за безопасност ще намалят риска от случайно стартиране на електроинструмента.

d) Съхранявайте неработещите електроинструменти на място, недостъпно за деца, и не позволявайте на лица, които не са запознати с електроинструмента или с тези инструкции, да използват и работят с него.

Електрическите инструменти са изключително опасни в ръцете на необучени потребители.

e) Поддържане на електрически инструменти. Проверявайте за несъсност или обвързване на движещите се части, счупване на части, течове и всякакви други условия, които могат да повлияят на работата на електроинструмента.

Ако е повреден, поправете електроинструмента преди да го използвате. Много злополуки и наранявания са причинени от лошо поддържани електрически инструменти.

f) Поддържайте всички режещи инструменти остри и чисти. Правилно поддържаните режещи инструменти с остри режещи ръбове е по-малко вероятно да се заклеят и са по-прецизни и по-лесни за управление.

g) Винаги използвайте електроинструмента, аксесоарите, крайниците и др. в съответствие с инструкциите в това ръководство за експлоатация, като се съобразявате с условията на работа и извършваната работа.

Използването на електроинструмента за приложения, различни от предвидените, може да доведе до опасна ситуация.

Услуга

a) Възложете сервизното обслужване на електроинструмента на квалифициран сервизен техник, като използвате само идентични резервни части. Това ще гарантира, че безопасността на електроинструмента е запазена.

Предупреждения за безопасност, специфични за машината

- Не използвайте шлифовъчни дискове с максимална скорост на въртене, по-малка от максималната скорост на въртене на шлайфмашината.
- Не използвайте повредени шлифовъчни дискове (напукани, разцепени) или дискове, които не са подходящи за материала, който ще се шлифова.
- Не използвайте шлифовъчни дискове, които включват редуцираща втулка.
- Изключете товара за 30 секунди, когато поставите нови или преинсталирани шлифовъчни дискове. Дръжте страничните лица на безопасно разстояние, докато тествате електроинструмента. Спрете незабавно инструмента, в случай че установите прекомерни вибрации, и разрешете проблема.
- Затегнете достатъчно притискащия фланец, за да закрепите здраво шлифовъчния диск.
- Извършвайте измервания на скоростта на въртене на равни интервали от време и задължително след сглобяване на инструмента.
- Преди да включите инструмента, проверете дали предпазителят е правилно поставен и не е повреден.
- Преди да започнете работа, проверете състоянието на захранващия кабел и щепсела.
- Винаги изключвайте инструмента от електрическата мрежа, преди да работите с него (включително при смяна на шлифовъчните дискове).
- Не прилагайте грубо шлайфане върху материала и не полагайте прекалено големи усилия при шлайфане.
- Ако скоростта на въртене необичайно намалее, незабавно спрете инструмента и го изключете от контакта.
- Поддържайте зъбното колело и ролковите лагери правилно смазани.
- Поддържайте мелницата чиста, особено вентилационните отвори на уреда.
- Никога не използвайте инструмента без защитния кожух.
- **Никога не натискайте бутон за блокиране на оста, докато шлайфът работи. Преди започване на каквато и да е работа проверете дали задвижващата ос не е останала блокирана.**
- Никога не използвайте режещи дискове настрани (пример: скосяване).
- Уверете се, че размерите на шлифовъчния диск са съвместими с шлифовъчната машина.
- Шлифовъчните дискове трябва да се съхраняват или пренасят внимателно съгласно инструкциите на производителя.
- Уверете се, че шлифовъчните дискове са монтирани съгласно инструкциите на производителя.
- **Предупреждение:** шлифовъчният диск продължава да се върти и след изключването на шлайфмашината.

Отстъпки и свързани предупреждения

Откатът е внезапна реакция на притиснато или заклещено въртящо се колело, подложка, четка или друг аксесоар.

Притискането или заклещването води до бързо спиране на въртящия се аксесоар, което от своя страна предизвиква изтласкване на неконтролирания електроинструмент в посока, обратна на въртенето на аксесоара в точката на заклещване. Например, ако абразивният диск е захванат или притиснат от детайла, ръбът на диска, който влиза в точката на притискане, може да се вкопае в повърхността на материала, което води до изкачване или изхвърляне на диска.

Колелото може да изскочи към оператора или да се отдалечи от него, в зависимост от посоката на движение на колелото в точката на притискане.

Абразивните дискове също могат да се счупят при тези условия.

Откатът е резултат от неправилна употреба на електроинструмента и/или неправилни работни процедури или условия и може да бъде избегнат чрез предприемане на подходящи предпазни мерки, както е посочено по-долу. Поддържайте здрав захват на електроинструмента и позиционирайте тялото и ръката си така, че да можете да устоите на силите на отката.

Винаги използвайте допълнителната ръкохватка, ако е предвидена, за максимален контрол върху отката или реакцията на въртящия момент по време на пускане. Операторът може да контролира реакциите на въртящия момент или силите на откат, ако се вземат подходящи предпазни мерки.

Никога не поставяйте ръката си близо до въртящия се аксесоар. Аксесоарът може да се отхвърли върху ръката ви.

Не поставяйте тялото си в зоната, в която електроинструментът ще се движи, ако възникне откат. Откатът ще задвижи инструмента в посока, обратна на движението на колелото в точката на захващане.

Обърнете специално внимание при работа с ъгли, остри ръбове и др. Избягвайте отскачането и закачането на аксесоара. Ъглите, острите ръбове или отскачането са склонни да закачат въртящия се аксесоар и да предизвикат загуба на контрол или откат.

Не закачайте верижен трион за дърворезба или зъбчато острие за трион. Такива остриета предизвикват чести отскоци и загуба на контрол върху електроинструмента.

Предназначение

Ъглошлайфите са предназначени за рязане, грубо обработване и четкане на метални и каменни материали без използване на вода. Те могат да се използват и като инструменти за шлайфане, когато се комбинират с подходящи одобрени дискове и подложки за шлайфане. Шлайфовете за бетон са подходящи за шлайфане на цимент и други подобни повърхности.

Функционално описание и спецификации

Следващата номерация се отнася до илюстрацията на машината, посочена на страница 2.		* Илюстрираните или описани аксесоари не са включени в стандартната доставка.
1	Превключвател за включване/изключване	<p>* Производителят си запазва правото да прави незначителни промени в дизайна и техническите спецификации на продуктите без предварително уведомление, освен ако тези промени не засягат значително работата и безопасността на продуктите. Частите, описани/илюстрирани на страниците на ръководството, което държите в ръцете си, може да се отнасят и за други модели от продуктовата линия на производителя с подобни характеристики и може да не са включени в току-що придобития от вас продукт.</p> <p>* За да се гарантира безопасността и надеждността на продукта и валидността на гаранцията, всички работи по ремонт, проверка, поправка или замяна, включително поддръжка и специални настройки, трябва да се извършват само от техници от оторизирания сервизен отдел на производителя.</p> <p>* Винаги използвайте продукта с доставеното оборудване. Работата на продукта с оборудване, което не е доставено, може да доведе до неизправности или дори до сериозни наранявания или смърт. Производителят и вносителят не носят отговорност за наранявания и щети, възникнали в резултат на използването на несъответстващо на изискванията оборудване.</p>
1a	Бутон за безопасност на превключвателя за ON/OFF	
2	Защитен кожух	
3	Вътрешен фланец	
4	Външен фланец	
5	Бутон за заключване на шпиндела	
6	Селектор за регулиране на скоростта*	
7	Бутон за регулиране на основната ръкохватка*	
8	Капак на гнездото за въглеродни четки	
9	Вторична дръжка*	
10	Ключ*	
11	Вентилационни слотове	

Технически данни

Модел:	BAG1300	BAG1500	BAG1700	BAG2400	BAG7200	BAG7800
Номинално напрежение:	230V/120V	230V/120V	230V/120V	230V/120V	230V/120V	230V
Номинална честота:	50/60Hz	50/60Hz	50/60Hz	50/60Hz	50/60Hz	50Hz
Входяща мощност:	1010w	1400w	1700w	2400w	720w	840w
Скорост без натоварване:	3000-10000 об/мин	10000 об/мин	0-10500 об/мин	6500 об/мин	11000 об/мин	11000 об/мин
∅	125 мм	125 мм	125 мм	230 мм	125 мм	125 мм

Електрическа безопасност

Електрическият двигател е проектиран само за определено напрежение. Винаги проверявайте дали захранването съответства на напрежението, изписано на табелката с номиналните стойности.

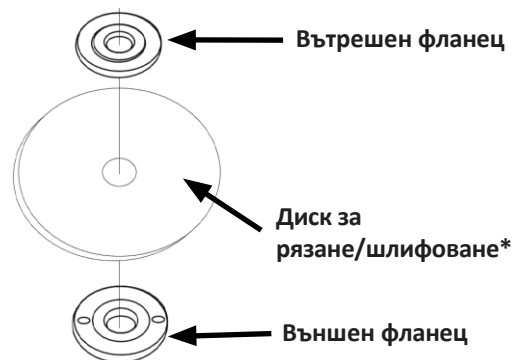
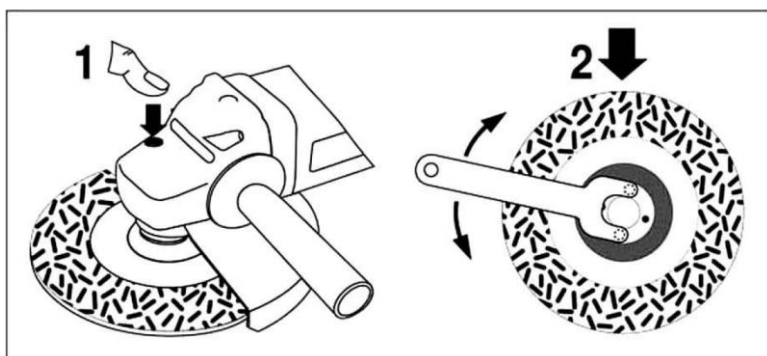
Инструкции за сглобяване - основни настройки



Преди да използвате инструмента, прочетете всички инструкции.

Демонтаж на сглобката на шлифовъчния диск

- Изключете инструмента от 230-волтовото захранване.
- Затягвайте или разхлабвайте гайката на фланеца (дясна резба) с помощта на ключа за щифтове и като натискате бутона за закрепване на шпиндела.
- Уверете се, че вътрешният и външният фланец са поставени в правилния ред и че са затегнати безопасно.



Спомагателна дръжка

Закрепете спомагателната ръкохватка, като я завъртите по посока на часовниковата стрелка върху отворите за закрепване, намиращи се отдясно или отляво (за определени видове шлайфмашини - и отгоре) на режещата глава на шлайфмашината.



Болт



Скоба

Защитен кожух

За да регулирате положението на предпазния кожух, разхлабете болта, закрепен за яката, и завъртете предпазния кожух по посока на часовниковата стрелка или обратно, за да го настроите в подходящо положение. След това затегнете болта, за да фиксирате предпазния кожух в избраната позиция. За защитни кожуси тип "скоба": разхлабете скобата, регулирайте положението на кожуха и след това натиснете скобата, за да заключите кожуха в избраното положение.

Инструкции за експлоатация

Превключвател за включване/изключване

Внимание: Преди да свържете инструмента, се уверете, че превключвателят е правилно задействан и се връща в положение "OFF" при натискане на гърба.

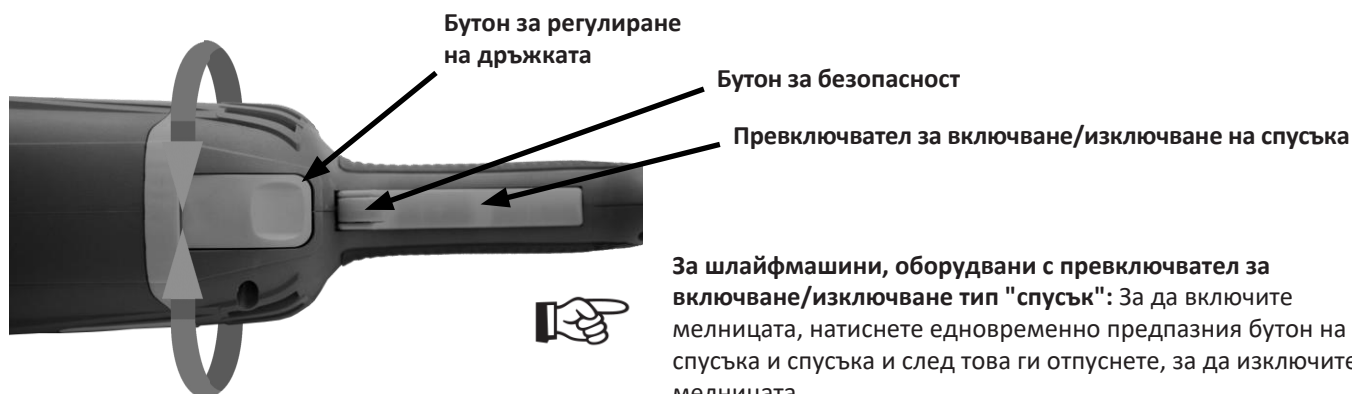
За да активирате инструмента (ON), натиснете задната част на превключвателя и го избутайте напред. След това натиснете предната част на превключвателя, докато се блокира. За да изключите инструмента, натиснете задната част на превключвателя.



Винаги изчакайте няколко секунди, докато дискът достигне максимална скорост на въртене, преди да шлифовате или режете детайла.

Предупреждение!

Превключвател за включване/изключване тип "тригер" (*не е включен във всички модели)



За шлайфмашини, оборудвани с превключвател за включване/изключване тип "спусък": За да включите мелницата, натиснете едновременно предпазния бутон на спусъка и спусъка и след това ги отпуснете, за да изключите мелницата.

Регулируема основна дръжка (не е включена във всички модели)

Регулирайте позицията на основната ръкохватка, като натиснете бутона, намиращ се до спусъка, и завъртете ръкохватката по посока на часовниковата стрелка или обратно, за да я настроите в желаната позиция.

Селектор за регулиране на скоростта

Завъртете палеца по посока на часовниковата стрелка, за да увеличите, или обратно на часовниковата стрелка, за да намалите максималната скорост на въртене на задвижващия шпиндел и режещия/шлифовъчния диск.



При моделите, включващи система за плавен старт, ще забележите, че скоростта на въртене на диска се увеличава постепенно. Това е част от нормалната работа на инструментите и не трябва да ви тревожи.

Изхвърляне

Електроинструментът, аксесоарите и опаковката трябва да се сортират за рециклиране, щадящо околната среда.



Само за страните от ЕС:

Не изхвърляйте електроинструментите в битовите отпадъци!

Съгласно Европейската директива 2002/96/ЕО за отпадъците от електрическо и електронно оборудване и нейното въвеждане в националното законодателство, електрическите инструменти, които вече не са годни за употреба, трябва да се събират отделно и да се изхвърлят по екологично правилен начин.

Piktogrami - opozorilne oznake



Dvojna izolacija



Nosite zaščito za oči
oprema



Pomembne informacije



Opozorilo!



Nosite zaščito za ušesa
oprema



Nosite masko proti
prahu



Da bi zmanjšali nevarnost poškodb, preberite naslednja
navodila.

Splošna varnostna pravila



OPOZORILO! Preberite vsa navodila, neupoštevanje vseh spodaj navedenih navodil lahko povzroči električni udar, požar in/ali hude telesne poškodbe. Izraz "električno orodje" se v vseh spodaj navedenih opozorilih nanaša na vaše električno orodje, ki se napaja iz električnega omrežja (z napeljavo), ali električno orodje, ki se napaja iz akumulatorja (brez napeljave).



NAVODILA ZA UPORABO SHRANITE NA VARNEM MESTU.

Varnost na delovnem mestu

- Delovni prostor naj bo čist in dobro osvetljen. Temni ali neurejeni prostori lahko povzročijo nesreče.
- Električnega orodja ne uporabljajte v eksplozivnih okoljih, kot so vnetljive tekočine ali hlapi, plini ali prah. Električna orodja lahko povzročijo iskre, ki lahko vžgejo pline ali hlape.
- Med delovanjem električnega orodja naj bodo otroci in mimoidoči na varni razdalji.

Električna varnost

- Prepričajte se, da vtiči električnega orodja ustrezajo vtičnici. Vtiča ne spreminjajte na noben način. Ne uporabljajte adapterskih vtičev z ozemljenimi električnimi orodji. Z uporabo nespremenjenih vtičev in ustreznih vtičnic boste zmanjšali tveganje električnega udara in drugih poškodb.
- Izogibajte se telesnemu stiku z ozemljenimi ali ozemljenimi materiali ali predmeti, kot so radiatorji, cevi, štedilniki in hladilniki. Če je vaše telo ozemljeno ali ozemljeno, obstaja ogromna nevarnost električnega udara.
- Električnih orodij ne izpostavljajte dežju ali drugim mokrim razmeram. Vdor vode v električno orodje lahko poveča nevarnost električnega udara.
- Ne zlorablajte napajalnega kabla. Nikoli ne uporabljajte kabla za prenašanje, vlečenje ali odklop električnega orodja. Kabel hranite na varni razdalji od vročine, olja, ostrih robov in vseh gibljivih delov. Poškodovane ali zapletene vrvice povečajo nevarnost električnega udara.
- Če električno orodje uporabljate na prostem, uporabite podaljšek z ustreznimi specifikacijami za uporabo na prostem. Uporaba podaljška, ki je primeren za uporabo na prostem, zmanjša tveganje električnega udara.
- Če električnega orodja ni mogoče uporabljati na vlažnem mestu, uporabite napajanje, zaščiteno z napravo na preostali tok (RCD). Uporaba RCD zmanjša tveganje električnega udara.

Osebna varnost

- Pri delu z električnim orodjem bodite pozorni, pazite, kaj počnete, in uporabljajte zdravo pamet. Ne uporabljajte električnega orodja, če ste utrujeni ali pod vplivom alkohola, drog ali zdravil. Trenutek nepozornosti med upravljanjem električnega orodja lahko povzroči hude telesne poškodbe.
- Uporabljajte osebno zaščitno opremo. Vedno nosite zaščito za oči. Zaščitna oprema, kot so maska proti prahu ali zaščita sluha, nederseči varnostni čevlji ali zaščitne čelade, ki se uporabljajo v ustreznih pogojih, bo zmanjšala število osebnih poškodb.
- Preprečite nenameren zagon. Pred priključitvijo na vir napajanja in/ali akumulatorski sklop, dvigovanjem ali prenašanjem električnega orodja se prepričajte, da je stikalo za napajanje v položaju izklopljeno. Prenašanje električnega orodja s prstom na stikalu za napajanje ali vklop električnega orodja, ki ima stikalo v vklopljenem položaju, spodbuja nesreče.
- Pred vklopom električnega orodja odstranite nastavitvene ključe ali ključce. Orodje, ki ostane pritrjeno na vrteči se del električnega orodja, lahko povzroči telesne poškodbe.
- Ne pretiravajte. Ves čas ohranjajte ravnotežje in pravilen korak. Tako boste lažje obvladovali električno orodje v nepričakovanih situacijah.
- Ustrezno se oblecite. Ne nosite ohlapnih oblačil ali nakita. Lasje, oblačila in rokavice naj ne bodo v bližini gibljivih delov. Ohlapna oblačila, nakit in/ali dolgi lasje se lahko ujamejo v gibljive dele.

Uporaba in nega električnega orodja

- Električnega orodja ne uporabljajte na silo. Za vsako uporabo uporabite ustrezno električno orodje. Pravilno električno orodje bo vedno opravi delo bolje in varneje, če se uporablja s hitrostjo, za katero je bil zasnovan.

- b) Električnega orodja ne uporabljajte, če stikalo ne aktivira ali deaktivira. Vsako električno orodje, ki ga ni mogoče upravljati s stikalom, je zelo nevarno in ga je treba popraviti.
- c) Pred menjavo pribora, nastavitvami ali shranjevanjem električnega orodja izključite glavni vtič iz vira napajanja in/ali akumulatorsko baterijo iz električnega orodja. Takšni preventivni varnostni ukrepi bodo zmanjšali nevarnost nenamerne zagona električnega orodja.
- d) Električno orodje v mirovanju shranjujte zunaj dosega otrok in ne dovolite, da ga uporabljajo in upravljajo osebe, ki niso seznanjene z električnim orodjem ali temi navodili.
- Električna orodja so v rokah neusposobljenih uporabnikov zelo nevarna.
- e) Vzdrževanje električnih orodij. Preverite, ali so gibljivi deli napačno poravnani ali vezani, ali se deli lomijo, ali prihaja do puščanja in drugih težav, ki bi lahko vplivale na delovanje električnega orodja. Če je električno orodje poškodovano, ga pred uporabo popravite. Veliko nesreč in poškodb je posledica slabo vzdrževanega električnega orodja.
- f) Vsa rezalna orodja naj bodo ostra in čista. Ustrezno vzdrževana rezalna orodja z ostrimi rezalnimi robovi se redkeje zataknejo ter so natančnejša in lažje obvladljiva.
- g) Električno orodje, dodatno opremo, nastavke itd. vedno uporabljajte v skladu z navodili iz tega priročnika, ob upoštevanju delovnih pogojev in dela, ki ga je treba opraviti.
- Uporaba električnega orodja za namene, ki niso predvideni, lahko povzroči nevarne razmere.

Storitev

- a) Električno orodje naj servisira usposobljen serviser, ki uporablja samo enake nadomestne dele. Tako boste zagotovili varnost električnega orodja.

Varnostna opozorila za posamezne stroje

- Ne uporabljajte brusilnih diskov z največjo vrtilno hitrostjo, ki je manjša od največje vrtilne hitrosti brusilnika.
- Ne uporabljajte poškodovanih brusilnih diskov (razpokanih, razcepljenih) ali diskov, ki niso primerni za material, ki ga je treba brusiti.
- Ne uporabljajte brusilnih kolutov, ki imajo redukcijsko puše.
- Ob nameščanju novih ali ponovno nameščenih brusilnih diskov 30 sekund ne obremenjujte stroja. Med preizkušanjem električnega orodja poskrbite, da bodo mimoidoči na varni razdalji. V primeru zaznave prekomernih vibracij takoj ustavite orodje in odpravite težavo.
- Zategnite pritrtilno prirobnico dovolj močno, da se brusilni kolut trdno pritrdi.
- Meritve hitrosti vrtenja izvajajte v rednih časovnih presledkih in obvezno po ponovni montaži orodja.
- Pred vklopom orodja preverite, ali je varovalo pravilno nastavljeno in ali ni poškodovano.
- Pred začetkom dela preverite stanje napajalnega kabla in vtiča.
- Pred rokovanjem z orodjem (vključno z zamenjavo brusilnih diskov) ga vedno izključite iz električnega omrežja.
- Brusilnika ne pritiskajte na material grobo in pri brušenju ne uporabljajte prevelikega napora.
- Če se hitrost vrtenja nenavadno zmanjša, takoj ustavite orodje in ga izvlecite iz vtičnice.
- Oskrbite, da so zobniški in valjni ležaji pravilno namazani.
- Mlinček vzdržujte čistega, zlasti zračne odprtine enote.
- Nikoli ne uporabljajte orodja brez zaščitnega pokrova.
- **Med delovanjem brusilnika nikoli ne pritiskajte gumba za blokado osi. Pred začetkom dela preverite, ali pogonska os ni ostala blokirana.**
- Nikoli ne uporabljajte rezalnih diskov na strani (primer: faziranje).
- Prepričajte se, da so dimenzije brusilnega diska združljive z brusilnikom.
- Brusilne plošče je treba shranjevati ali prenašati previdno v skladu z navodili proizvajalca.
- Prepričajte se, da so brusilni diski nameščeni v skladu z navodili proizvajalca.
- **Opozorilo:** brusilni kolut se vrti tudi po izklopu brusilnika.

Povratne informacije in povezana opozorila

Povratni udarec je nenadna reakcija na stisnjeno ali zataknelo vrtljivo kolo, podložno ploščico, krtačo ali kateri koli drug pripomoček. Stiskanje ali zatikanje povzroči hiter zastoj vrtečega se pripomočka, kar povzroči, da se nenadzorovano električno orodje prisili v nasprotno smer od vrtenja pripomočka na mestu zatikanja.

Če se na primer brusilni kolut zatakne ali stisne za obdelovanec, se lahko rob koluta, ki vstopa v točko stiska, zagodzi v površino materiala, kar povzroči, da se kolut dvigne ali odrine. Kolo lahko skoči proti upravljavcu ali stran od njega, odvisno od smeri gibanja kolesa v točki stiska.

V teh pogojih se lahko zlomijo tudi abrazivni diski.

Povratni udarec je posledica napačne uporabe električnega orodja in/ali nepravilnih delovnih postopkov ali pogojev in se mu lahko izognete z ustreznimi previdnostnimi ukrepi, ki so navedeni v nadaljevanju.

Ohranite trden oprijem električnega orodja ter se s telesom in roko postavite tako, da se boste lahko uprli silam povratnega udarca.

Za največji nadzor nad povratnim udarom ali reakcijo navora med zagonom vedno uporabite pomožno držalo, če je na voljo. Upravljaivec lahko nadzoruje reakcije navora ali sile povratnega udarca, če so sprejeti ustrezni varnostni ukrepi.

Nikoli ne približujte roke vrtečemu se pripomočku. Pripomoček se lahko odbije čez vašo roko.

Če pride do povratnega udarca, ne postavljajte telesa na območje, kjer se bo električno orodje premikalo. Povratni udarec bo pognal orodje v smeri, ki je nasprotna gibanju kolesa na mestu udarca.

Posebno previdno obdelujte vogale, ostre robove itd. Izogibajte se odbijanju in zatikanju pribora. Vogali, ostri robovi ali odbijanje so nagnjeni k temu, da se vrteči se pribor zatakne in povzroči izgubo nadzora ali povratni udarec.

Ne pritrjujte verižne žage za rezljanje lesa ali zobatega žaginega lista. Takšna rezila pogosto povzročajo povratni udarec in izgubo nadzora nad električnim orodjem.


Predvidena uporaba

Kotni brusilniki so namenjeni rezanju, brušenju in krtačenju kovinskih in kamnitih materialov brez uporabe vode.

V kombinaciji z ustreznimi odobrenimi brusilnimi diski in blazinicami se lahko uporabljajo tudi kot orodja za brušenje.

Brusilniki za beton so primerni za brušenje cementa in drugih podobnih površin.

Funkcionalni opis in specifikacije

Naslednje oštevilčenje se nanaša na sliko stroja na strani 2.		 * Dodatki, ki so prikazani ali opisani, niso vključeni v standardno dobavo.
1	Stikalo za vklop/izklop	<p>* Proizvajalec si pridržuje pravico do manjših sprememb zasnove in tehničnih specifikacij izdelka brez predhodnega obvestila, razen če te spremembe bistveno vplivajo na delovanje in varnost izdelkov. Deli, opisani/prikazani na straneh priročnika, ki ga držite v rokah, se lahko nanašajo tudi na druge modele proizvajalčeve linije izdelkov s podobnimi lastnostmi in morda niso vključeni v izdelek, ki ste ga pravkar pridobili.</p> <p>* Za zagotavljanje varnosti in zanesljivosti izdelka ter veljavnosti garancije, vsa popravila, preglede, popravila ali zamenjave, vključno z vzdrževanjem in posebnimi nastavitvami, smejo opravljati le tehniki pooblaščenega servisnega oddelka proizvajalca.</p> <p>* Izdelek vedno uporabljajte s priloženo opremo. Uporaba izdelka z opremo, ki ni priložena, lahko povzroči motnje v delovanju ali celo hude telesne poškodbe ali smrt. Proizvajalec in uvoznik nista odgovorna za poškodbe in škodo, ki so posledica uporabe neustrezne opreme.</p>
1a	Varnostni gumb za vklop/izklop*	
2	Zaščitna zaščita	
3	Notranja prirobnica	
4	Zunanja prirobnica	
5	Gumb za blokado vretena	
6	Izbirnik za nastavitev hitrosti*	
7	Gumb za nastavitev glavnega ročaja*	
8	Pokrov vtičnice za ogljikove ščetke	
9	Sekundarni ročaj*	
10	Ključ*	
11	Ventilacijske reže	

Tehnični podatki

Model	BAG1300	BAG1500	BAG1700	BAG2400	BAG7200	BAG7800
Nazivna napetost	230V/120V	230V/120V	230V/120V	230V/120V	230V/120V	230V
Nazivna frekvenca	50/60 Hz	50/60 Hz	50/60 Hz	50/60 Hz	50/60 Hz	50 Hz
Vhodna moč	1010w	1400w	1700w	2400w	720w	840w
Brez obremenitve hitrost	3000-10000 vrtljajev na minuto	10000 vrtljajev na minuto	0-10500 vrtljajev na minuto	6500 vrtljajev na minuto	11000 vrtljajev na minuto	11000 vrtljajev na minuto
∅	125 mm	125 mm	125 mm	230 mm	125 mm	125 mm

Električna varnost

Električni motor je zasnovan samo za določeno napetost. Vedno preverite, ali napajanje ustreza napetosti, zapisani na tipski ploščici.

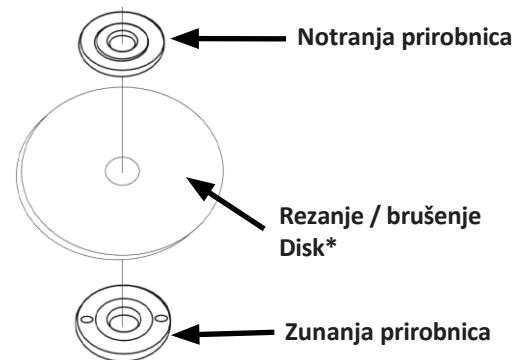
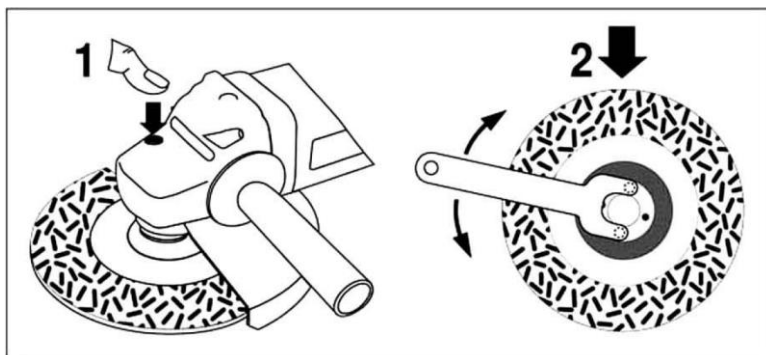
Navodila za montažo - glavne nastavitve



Pred uporabo orodja preberite vsa navodila.

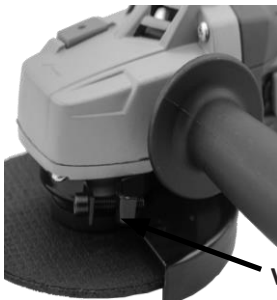
Demontaža sklopa brusilnega kolesa

- Orodje izključite iz 230-voltnega napajanja.
- Prirobnično matico (desni navoj) privijte ali popustite s ključem za zatiče in s pritiskom na gumb za vtičnico vretena.
- Prepričajte se, da sta notranja in zunanja prirobnična nameščeni v pravilnem vrstnem redu in da sta varno zategnjeni.



Pomožni ročaj

Pomožni ročaj pritrdite tako, da ga zavrtite v smeri urinega kazalca na pritrdilne odprtine na desni ali levi strani (pri določenih vrstah brusilnikov tudi na vrhu) rezalne glave brusilnika.



Vijak



Objemko

Zaščitna zaščita

Če želite prilagoditi položaj zaščitnega pokrova, sprostite vijak, pritrjen na ovrtnik, in zavrtite pokrov v desno ali levo, da ga nastavite v ustrezen položaj. Nato zategnite vijak, da se zaščita zaskoči v izbranem položaju. Za zaščitna varovala z objemko: odklenite objemko, nastavite položaj varovala in nato pritisnite objemko, da se varovalo zaklene v izbranem položaju.

Navodila za uporabo

Stikalo za vklop/izklop

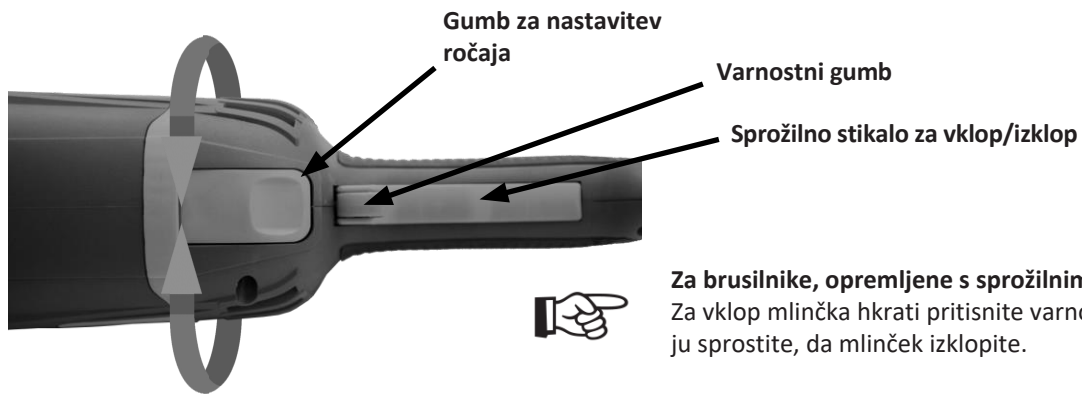
Pozor: Pred priključitvijo orodja se prepričajte, da je stikalo pravilno sproženo in da se ob pritisku nazaj vrne v položaj "OFF". Če želite aktivirati orodje (ON), pritisnite zadnjo stran stikala in ga potisnite naprej. Nato pritisnite sprednji del stikala, dokler se ne zaskoči. Za izklop pritisnite zadnji del stikala.



Opozorilo!

Pred brušenjem ali rezanjem obdelovanca vedno počakajte nekaj sekund, da disk doseže največjo hitrost vrtenja.

Stikalo za vklop/izklop (*ni vključeno v vse modele)



Za brusilnike, opremljene s sprožilnim stikalom za vklop/izklop:
Za vklop mlinčka hkrati pritisnite varnostni gumb in sprožilec ter ju sprostite, da mlinček izklopite.

Nastavljiv glavni ročaj (ni vključen v vse modele)

Položaj glavnega ročaja nastavite s pritiskom na gumb ob sprožilcu in zavrtite ročaj v smeri urinega kazalca ali proti njemu, da ga nastavite v želeni položaj.

Izbirnik za nastavitev hitrosti

Z vrtenjem kolesa v smeri urinega kazalca povečajte največjo hitrost vrtenja pogonskega vretena in rezalnega/brusilnega diska ali jo zmanjšajte v nasprotni smeri urinega kazalca.



Pri modelih, ki vključujejo sistem mehkega zagona, boste opazili, da se hitrost vrtenja diska postopoma povečuje. To je del normalnega delovanja orodja in vas ne sme skrbeti.

Odstranjevanje

Električno orodje, dodatno opremo in embalažo je treba razvrstiti za okolju prijazno recikliranje.



Samo za države EU:

Električnega orodja ne odlagajte v gospodinske odpadke!

V skladu z evropsko smernico 2002/96/ES za odpadno električno in elektronsko opremo in njeno implementacijo v nacionalno zakonodajo je treba električna orodja, ki niso več uporabna, zbirati ločeno in jih odstraniti na okolju prijazen način.

Pictograme - Etichete de avertizare



Izolație dublă



Purtați protecție pentru ochi echipament



Informații importante



Atenție!



Purtați protecție pentru urechi echipament



Purtați o mască de praf



Pentru a reduce riscul de rănire, vă rugăm să citiți următoarele instrucțiuni.

Reguli generale de siguranță



AVERTISMENT! Citiți toate instrucțiunile, nerespectarea tuturor instrucțiunilor enumerate mai jos poate duce la șocuri electrice, incendii și/sau răniri grave. Termenul "unealtă electrică" din toate avertismentele enumerate mai jos se referă la unealta electrică cu alimentare de la rețeaua electrică (cu fir) sau la unealta electrică cu baterii (fără fir).



VĂ RUGĂM SĂ PĂSTRAȚI MANUALUL DE INSTRUCȚIUNI ÎNTR-UN LOC SIGUR

Siguranța zonei de lucru

- Vă rugăm să păstrați zona de lucru curată și bine luminată. Zonele întunecate sau dezordonate pot favoriza producerea de accidente.
- Nu folosiți uneltele electrice în atmosfere explozive, cum ar fi în prezența unor lichide sau vapori inflamabili, gaze sau praf. Uneltele electrice ar putea crea scântei care ar putea aprinde gazele sau vaporii.
- Vă rugăm să păstrați copiii și persoanele aflate în preajmă la o distanță de siguranță în timpul utilizării sculei electrice.

Siguranța electrică

- Vă rugăm să vă asigurați că fișele uneltelor electrice se potrivesc cu priza. Nu modificați niciodată fișa în niciun fel. Nu utilizați fișe adaptoare cu unelte electrice cu împământare (cu împământare). Folosirea unor fișe nemodificate și a unor prize potrivite va reduce riscul de electrocutare și alte răniri.
- Evitați contactul corpului cu materiale sau obiecte legate la pământ sau împământate, cum ar fi radiatoare, țevi, cuptoare și frigider. Există un risc enorm de șoc electric dacă corpul dumneavoastră este legat la pământ sau împământat.
- Nu expuneți uneltele electrice la ploaie sau în orice alte condiții de umezeală. Apa care pătrunde într-o unealtă electrică ar putea crește riscul de electrocutare.
- Nu abuzați de cablul de alimentare. Nu utilizați niciodată cablul pentru a transporta, trage sau deconecta sula electrică. Păstrați cablul la o distanță sigură de căldură, ulei, margini ascuțite și orice piese în mișcare. Cablurile deteriorate sau încurcate vor crește riscul de electrocutare.
- Atunci când folosiți o unealtă electrică în aer liber, utilizați un cablu prelungitor care are specificațiile corespunzătoare pentru utilizarea în aer liber. Utilizarea unui cablu prelungitor adecvat pentru utilizarea în exterior reduce riscul de electrocutare.
- În cazul în care nu se poate evita utilizarea unei scule electrice într-un loc umed, utilizați o sursă de alimentare protejată de un dispozitiv de curent rezidual (RCD). Utilizarea unui RCD reduce riscul de electrocutare.

Siguranța personală

- Rămâneți vigilenți, urmăriți ceea ce faceți și folosiți bunul simț atunci când folosiți o unealtă electrică. Nu utilizați o unealtă electrică în timp ce vă simțiți obosit sau sub influența alcoolului, a drogurilor sau a medicamentelor. Un moment de neatenție în timpul utilizării unei scule electrice poate avea ca rezultat vătămări corporale grave.
- Vă rugăm să folosiți echipament de protecție personală. Purtați întotdeauna protecție pentru ochi. Echipamentul de protecție, cum ar fi masca de praf sau protecția auditivă, pantofii de siguranță antiderapanți sau căștile de protecție, utilizate în condiții adecvate, vor reduce numărul de vătămări corporale.
- Preveniți pornirea neintenționată. Asigurați-vă că întrerupătorul de alimentare este în poziția oprit înainte de a conecta la sursa de alimentare și/sau la pachetul de baterii, de a ridica sau de a transporta sula electrică. Transportarea sculelor electrice cu degetul pe întrerupătorul de alimentare sau punerea sub tensiune a sculelor electrice care au întrerupătorul în poziția pornit invită la accidente.
- Îndepărtați orice chei sau chei de reglare înainte de a porni sula electrică. O unealtă lăsată atașată la o parte rotativă a sculei electrice poate provoca vătămări corporale.
- Nu exagerați. Păstrați în permanență echilibrul și o poziție corectă. Acest lucru ajută la un control mai bun al sculei electrice în situații neașteptate.
- Îmbrăcați-vă corespunzător. Nu purtați haine largi sau bijuterii. Țineți-vă părul, hainele și mânușile departe de orice piese în mișcare. Hainele largi, bijuteriile și/sau părul lung pot fi prinse în piesele în mișcare.

Utilizarea și îngrijirea uneltelor electrice

- Vă rugăm să nu forțați sula electrică. Folosiți sula electrică potrivită pentru fiecare aplicație. Unealta electrică corectă va fi întotdeauna și face treaba mai bine și mai sigur atunci când este utilizat în ritmul pentru care a fost proiectat.

- b) Nu utilizați scula electrică dacă întrerupătorul nu o activează sau dezactivează. Orice unealtă electrică care nu poate fi controlată cu ajutorul comutatorului este extrem de periculoasă și trebuie reparată.
- c) Deconectați ștecherul principal de la sursa de alimentare și/sau acumulatorul de la scula electrică înainte de a schimba accesoriile, de a face orice reglaje sau de a depozita sculele electrice. Astfel de măsuri preventive de siguranță vor reduce riscul de pornire accidentală a sculei electrice.
- d) Depozitați uneltele electrice nefolosite la îndemâna copiilor și nu permiteți persoanelor care nu sunt familiarizate cu scula electrică sau cu aceste instrucțiuni să utilizeze și să opereze scula electrică. Uneltele electrice sunt extrem de periculoase în mâinile unor utilizatori neinstruiți.
- e) Întreținerea sculelor electrice. Verificați dacă piesele în mișcare nu sunt nealiniat sau blocate, dacă piesele sunt rupte, dacă există scurgeri și orice altă condiție care poate afecta funcționarea sculei electrice. Dacă este deteriorată, vă rugăm să faceți reparația sculei electrice înainte de utilizare. Multe accidente și răniri sunt cauzate de uneltele electrice întreținute necorespunzător.
- f) Păstrați toate uneltele de tăiere ascuțite și curate. Uneltele de tăiere întreținute corespunzător, cu muchii de tăiere ascuțite, sunt mai puțin susceptibile de a se bloca și sunt mai precise și mai ușor de controlat.
- g) Utilizați întotdeauna scula electrică, accesoriile și biții de scule etc. în conformitate cu instrucțiunile din acest manual de instrucțiuni, ținând cont de condițiile de lucru și de lucrările care urmează să fie efectuate. Utilizarea sculei electrice pentru alte aplicații decât cele prevăzute ar putea duce la o situație periculoasă.

Serviciul

- a) Trimiteti scula electrică la un tehnician de reparații calificat, folosind numai piese de schimb identice. Acest lucru va asigura menținerea siguranței sculei electrice.

Avertismente de siguranță specifice mașinii

- Nu utilizați discuri de polizare cu o viteză maximă de rotație inferioară vitezei maxime de rotație a polizorului.
- Nu utilizați discuri de șlefuit deteriorate (crăpate, despicate) sau discuri care nu sunt adecvate pentru materialul care urmează să fie șlefuit.
- Nu utilizați discuri de șlefuit care includ o bucsă de reducere.
- Lăsați încărcătura să funcționeze fără sarcină timp de 30 de secunde, atunci când plasați discuri de rectificat noi sau reinstalate. Păstrați trecătorii la o distanță sigură în timpul testării sculei electrice. Opriti imediat unealta în cazul în care detectați vibrații excesive și rezolvați problema.
- Strângeți flanșa de prindere suficient de mult pentru a menține solid roata de rectificat.
- Efectuați măsurători ale vitezei de rotație la intervale regulate și neapărat după ce ați reasamblat scula.
- Verificați dacă apărătoarea este reglată corect și nu este deteriorată înainte de a porni scula.
- Înainte de a începe orice lucrare, verificați starea cablului de alimentare cu energie electrică și a fișei.
- Deconectați întotdeauna unealta înainte de a o manipula (inclusiv pentru înlocuirea discurilor de rectificat).
- Nu aplicați cu brutalitate polizorul pe material și nu aplicați prea mult efort atunci când șlefuiți.
- Dacă viteza de rotație se reduce anormal, opriti imediat scula și scoateți-o din priză.
- Păstrați angrenajul pinionului și rulmenții cu role corect unși.
- Păstrați polizorul curat, în special gurile de aerisire ale unității.
- Nu utilizați niciodată unealta fără apărătoarea de protecție.
- **Nu apăsați niciodată butonul de blocare a axei în timp ce polizorul este în funcțiune. Înainte de a începe orice lucrare, verificați dacă axa de acționare nu a rămas blocată.**
- Nu utilizați niciodată discurile de tăiere în lateral (exemplu: șanfrenare)
- Asigurați-vă că dimensiunile discului de șlefuit sunt compatibile cu polizorul.
- Discurile de polizare trebuie depozitate sau transportate cu grijă, în conformitate cu instrucțiunile producătorului.
- Asigurați-vă că discurile de șlefuit sunt montate în conformitate cu instrucțiunile producătorului.
- **Atenție:** o roată de polizare continuă să se rotească și după ce polizorul este oprit.

Recul și avertismente conexe

Recul este o reacție bruscă la o roată rotativă, un tampon de sprijin, o perie sau orice alt accesoriu prins sau agățat.

Strângerea sau agățarea provoacă blocarea rapidă a accesoriului rotativ, ceea ce, la rândul său, face ca unealta electrică necontrolată să fie forțată în direcția opusă rotației accesoriului în punctul de prindere.

De exemplu, în cazul în care o roată abrazivă este agățată sau prinsă de piesa de prelucrat, marginea roții care intră în punctul de strângere poate săpa în suprafața materialului, ceea ce face ca roata să iasă în afară sau să lovească. Roata poate sări fie spre operator, fie să se îndepărteze de acesta, în funcție de direcția de mișcare a roții în punctul de ciupire.

Discurile abrazive se pot rupe, de asemenea, în aceste condiții.

Recul sunt rezultatul unei utilizări necorespunzătoare a sculei electrice și/sau a unor proceduri sau condiții de funcționare incorecte și pot fi evitate prin luarea măsurilor de precauție corespunzătoare, după cum se arată mai jos.

Mențineți o prindere fermă a sculei electrice și poziționați-vă corpul și brațul pentru a vă permite să rezistați forțelor de recul.

Folosiți întotdeauna mânerul auxiliar, dacă este prevăzut, pentru un control maxim al reculului sau al reacției de cuplu în timpul pornirii. Operatorul poate controla reacțiile de cuplu sau forțele de recul, dacă se iau măsurile de precauție adecvate. Nu vă apropiați niciodată mâna de accesoriul rotativ. Accesoriul ar putea ricoșa peste mâna dumneavoastră.


Nu vă poziționați corpul în zona în care se va deplasa scula electrică dacă se produce un recul. Repercusiunile vor propulsa scula în direcția opusă mișcării roții în punctul de agățare.

Aveți grijă deosebită atunci când lucrați la colțuri, margini ascuțite etc. Evitați sărirea și agățarea accesoriului. Colțurile, marginile ascuțite sau săriturile au tendința de a agăța accesoriul rotativ și de a provoca pierderea controlului sau reculul. Nu atașați un lanț de ferăstrău cu lamă de sculptură în lemn sau o lamă de ferăstrău dințată. Astfel de lame creează frecvent reculuri și pierderea controlului asupra sculei electrice.

Utilizare preconizată

Polizoarele unghiulare sunt destinate pentru tăierea, degroșarea și perierea materialelor metalice și a pietrei fără a folosi apă. De asemenea, pot fi utilizate ca unelte de șlefuire atunci când sunt combinate cu discurile și plăcuțele de șlefuire aprobate corespunzătoare. Polizoarele pentru beton sunt adecvate pentru șlefuirea cimentului și a altor suprafețe similare.

Descriere funcțională și specificații

Următoarea numerotare se referă la ilustrația aparatului indicată la pagina 2.		 * Accesoriile ilustrate sau descrise nu sunt incluse ca livrare standard.
1	Comutator pornit/oprit	<p>* Producătorul își rezervă dreptul de a face modificări minore ale produsului proiectarea și specificațiile tehnice fără notificare prealabilă, cu excepția cazului în care aceste modificări afectează în mod semnificativ performanța și siguranța produselor. Piese descrise / ilustrate în paginile manualului pe care îl țineți în mâini pot viza și alte modele din linia de produse ale producătorului cu caracteristici similare și pot să nu fie incluse în produsul pe care tocmai l-ați achiziționat.</p> <p>* Pentru a asigura siguranța și fiabilitatea produsului și valabilitatea garanției, toate lucrările de reparații, inspecții, reparații sau înlocuiri, inclusiv întreținerea și reglajele speciale, trebuie efectuate numai de către tehnicienii ai departamentului de service autorizat al producătorului.</p> <p>* Utilizați întotdeauna produsul cu echipamentul furnizat. Funcționarea produsului cu echipamente care nu sunt furnizate poate cauza defecțiuni sau chiar vătămări grave sau chiar moartea. Producătorul și importatorul nu sunt răspunzători pentru vătămările și daunele rezultate din utilizarea unui echipament neconform.</p>
1a	Butonul de siguranță al comutatorului pornit/oprit*	
2	Garda de protecție	
3	Flanșă interioară	
4	Flanșă exterioară	
5	Butonul de blocare a fusului	
6	Selector de reglare a vitezei*	
7	Butonul de reglare a mânerului principal*	
8	Capacul prizei cu perie de carbon	
9	Mâner secundar*	
10	Cheie*	
11	Fante de ventilație	

Date tehnice

Model	BAG1300	BAG1500	BAG1700	BAG2400	BAG7200	BAG7800
Tensiune nominală	230V/120V	230V/120V	230V/120V	230V/120V	230V/120V	230V
Frecvența nominală	50/60Hz	50/60Hz	50/60Hz	50/60Hz	50/60Hz	50Hz
Putere de intrare	1010w	1400w	1700w	2400w	720w	840w
Fără sarcină Viteză	3000-10000Rpm	10000Rpm	0-10500Rpm	6500Rpm	11000Rpm	11000Rpm
∅	125mm	125mm	125mm	230mm	125mm	125mm

Siguranța electrică

Motorul electric a fost proiectat numai pentru o anumită tensiune. Verificați întotdeauna dacă alimentarea cu energie electrică corespunde tensiunii înscrise pe plăcuța de identificare.

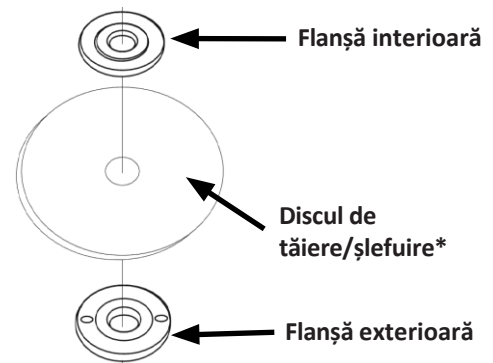
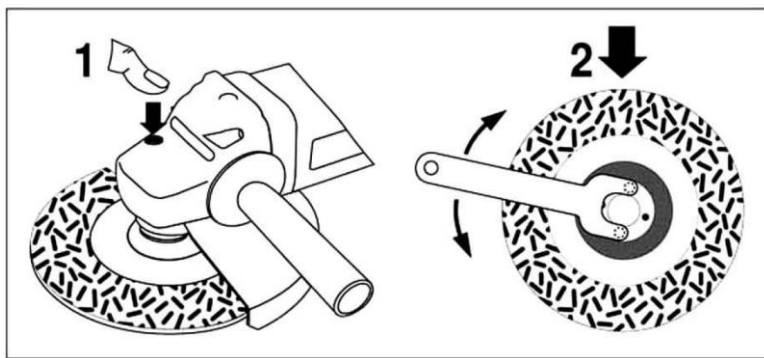
Instrucțiuni de asamblare - Reglaje principale



Înainte de a utiliza instrumentul, vă rugăm să citiți toate instrucțiunile.

Demontarea ansamblului de asamblare a discului de rectificat

- Deconectați sula de la sursa de alimentare de 230 de volți.
- Strângeți sau slăbiți piulița flanșei (filet dreapta) cu cheia cu știfturi și apăsând butonul de fixare a fusului.
- Asigurați-vă că flanșa interioară și cea exterioară sunt plasate în ordinea corectă și că sunt strânse în siguranță.



Mâner auxiliar

Atașați mânerul auxiliar, rotindu-l în sensul acelor de ceasornic pe găurile de fixare care se găsesc în dreapta sau în stânga (pentru anumite tipuri de polizoare, și în partea superioară) a capului de tăiere al polizorului.



Bolț



Clemă

Garda de protecție

Pentru a regla poziția dispozitivului de protecție, slăbiți șurubul fixat pe guler și rotiți dispozitivul de protecție în sensul acelor de ceasornic sau în sens invers, pentru a-l regla într-o poziție adecvată. Apoi strângeți șurubul pentru a bloca protecția în poziția aleasă.

Pentru apărătorile de protecție de tip clemă: deblocați cleva, reglați poziția apărătorii și apoi împingeți cleva pentru a bloca apărătoarea în poziția aleasă.

Instrucțiuni de utilizare

Comutator pornit/oprit

Atenție: Înainte de a conecta sula, asigurați-vă că întrerupătorul este acționat corect și revine în poziția "OFF" atunci când se apasă pe spate.

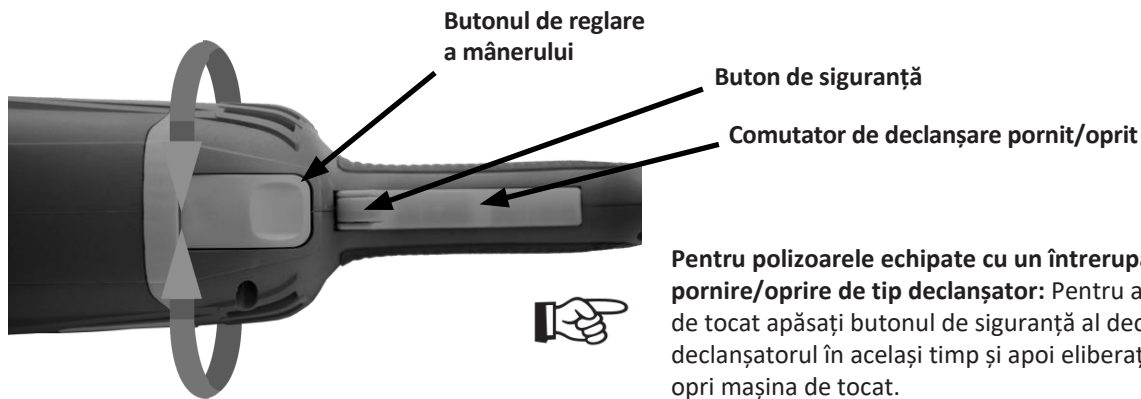
Pentru a activa sula (ON), apăsați partea din spate a comutatorului și împingeți-l înainte. Apoi apăsați partea din față a comutatorului până când acesta se blochează. Pentru a opri, apăsați partea din spate a comutatorului.



Atenție!

Așteptați întotdeauna câteva secunde până când discul atinge viteza maximă de rotație înainte de a șlefui sau tăia piesa de prelucrat.

Comutator pornit/oprit de tip trigger (*nu este inclus în toate modelele)



Pentru polizoarele echipate cu un întrerupător de pornire/oprire de tip declanșator: Pentru a porni mașina de tocat apăsați butonul de siguranță al declanșatorului și declanșatorul în același timp și apoi eliberați-le pentru a opri mașina de tocat.

Mâner principal reglabil (nu este inclus în toate modelele)

Reglați poziția mânerului principal prin apăsarea butonului aflat lângă declanșator și rotiți mânerul în sensul acelor de ceasornic sau în sens invers, pentru a-l seta în poziția dorită.

Selector de reglare a vitezei

Rotiți roțița în sensul acelor de ceasornic pentru a mări sau în sens invers acelor de ceasornic pentru a micșora viteza maximă de rotație a axului de acționare și a discului de tăiere/șlefuire.



În cazul modelelor care includ un sistem de pornire ușoară, veți observa că viteza de rotație a discului crește treptat. Acest lucru face parte din funcționarea normală a sculelor și nu trebuie să vă îngrijoreze.

Eliminare

Uneltele electrice, accesoriile și ambalajul trebuie sortate pentru a fi reciclate în mod ecologic.



Numai pentru țările UE:

Nu aruncați sculele electrice la gunoiul menajer!

În conformitate cu Directiva europeană 2002/96/CE privind deșeurile de echipamente electrice și electronice și cu transpunerea acesteia în legislația națională, uneltele electrice care nu mai sunt utilizabile trebuie colectate separat și eliminate într-un mod corect din punct de vedere ecologic.

EL

Τα ηλεκτρικά εργαλεία έχουν κατασκευαστεί με αυστηρά πρότυπα που έχει θέσει η εταιρεία και συνάδουν με τα ευρωπαϊκά πρότυπα ποιότητας. Για τα ηλεκτρικά εργαλεία της εταιρείας μας παρέχεται περίοδος εγγύησης 24 μηνών για ερασιτεχνική χρήση, 12 μηνών για επαγγελματική χρήση και 12 μηνών για τις μπαταρίες και τους φορτιστές. Η ισχύς της εγγύησης ξεκινά από την ημερομηνία αγοράς του προϊόντος. Αποδεικτικό του δικαιώματος της εγγύησης αποτελεί το παραστατικό αγοράς του εργαλείου (απόδειξη λιανικής ή τιμολόγιο). Σε καμία περίπτωση η εταιρεία δεν καλύπτει τη σχετική δαπάνη ανταλλακτικών και εργασιών εάν και εφόσον δε συνοδεύεται από αντίγραφο του παραστατικού αγοράς. Σε περίπτωση που η επισκευή πρέπει να γίνει στο service μας η δαπάνη μεταφοράς (από και προς) βαρύνει εξ' ολοκλήρου τον αποστολέα. Τα εργαλεία αποστέλλονται για την επισκευή τους στην εταιρεία ή σε εξουσιοδοτημένο συνεργείο με τον ενδεδειγμένο τρόπο και μέσο μεταφοράς.

ΕΞΑΙΡΕΣΕΙΣ ΚΑΙ ΠΕΡΙΟΡΙΣΜΟΙ ΤΗΣ ΕΓΓΥΗΣΗΣ:

- 1) Ανταλλακτικά που φθείρονται φυσιολογικά από τη χρήση τους (καρβουνάκια, καλώδιο, διακόπτες, φορτιστές, τσοκ κ.λπ.).
- 2) Εργαλεία που έχουν υποστεί ζημιές από τη μη συμμόρφωση με τις οδηγίες του κατασκευαστή.
- 3) Εργαλεία με ελλιπή συντήρηση.
- 4) Χρήση μη ενδεδειγμένων λιπαντικών ή εξαρτημάτων.
- 5) Εργαλεία που έχουν δοθεί χωρίς επιβάρυνση.
- 6) Βλάβη που οφείλεται σε ηλεκτρική σύνδεση σε τάση διαφορετική από την αναγραφόμενη στην πινακίδα συσκευής.
- 7) Σύνδεση σε μη γειωμένο ρευματοδότη.
- 8) Μεταβολή της τάσης του ρεύματος.
- 9) Βλάβη που προκύπτει από τη χρήση αλμυρού νερού (π.χ. πλυστικά, αντλίες).
- 10) Βλάβη ή κακή λειτουργία που έχει προκύψει από πλημμελή καθαρισμό του εργαλείου.
- 11) Επαφή του εργαλείου με χημικά, ή βλάβη από υγρασία, διάβρωση.
- 12) Εργαλεία που έχουν υποστεί τροποποιήσεις – αλλαγές ή έχουν ανοιχτεί από μη εξουσιοδοτημένο συνεργείο.
- 13) Εργαλεία που χρησιμοποιούνται για ενοίκιαση.

Η εγγύηση καλύπτει αποκλειστικά τη δωρεάν αντικατάσταση του εξαρτήματος που έχει κατασκευαστικό ελάττωμα ή αστοχία υλικού. Σε περίπτωση έλλειψης ανταλλακτικού η εταιρεία διατηρεί το δικαίωμα αντικατάστασης του εργαλείου με άλλο αντίστοιχο μοντέλο. Μετά τη διεκπεραίωση εγγύησης δεν επιμηκύνεται ούτε ανανεώνεται ο χρόνος εγγύησης του εργαλείου. Τα ανταλλακτικά ή τα εργαλεία τα οποία αντικαθίστανται παραμένουν στην κατοχή της εταιρείας μας. Άλλες απαιτήσεις, εκτός από αυτές που αναφέρονται σε αυτό το έντυπο εγγύησης επισκευής ή βλαβών ηλεκτρικών εργαλείων, δεν ισχύουν. Για την εγγύηση αυτή ισχύει το ελληνικό δίκαιο.

EN

The power tools have been manufactured according to strict standards, set by our company, which are aligned with the respective European quality standards. The power tools of our company are provided with a warranty period of 24 months for non-professional use, 12 months for professional use and 12 months for batteries and chargers. The warranty is valid from the date of purchase of the product. Proof of the warranty right is the purchase document of the tool (retail receipt or invoice). Under no circumstances shall the company cover the relevant cost of spare parts and respectively required working hours unless a copy of the purchase document is presented. In case the repair has to be done by our service department the cost of transportation (to and from) is entirely borne by the sender (client). The tools must be sent for repair to the company or to an authorized workshop in the appropriate way and means of transport.

WARRANTY EXEMPTIONS AND RESTRICTIONS:

- 1) Spare parts that wear out naturally as a consequence of being used (brushes, cables, switches, chargers, chokes etc.).
- 2) Tools damaged as a result of non-compliance with the instructions of the manufacturer.
- 3) Tools poorly maintained.
- 4) Use of improper lubricants or accessories.
- 5) Tools given to third entities free of charge.
- 6) Damage due to an electrical connection at a voltage other than that indicated on the appliance plate.
- 7) Connection to a non-earthed power supply.
- 8) Change in current voltage.
- 9) Damage resulting from the use of salty water (e.g., washing machines, pumps).
- 10) Damage or malfunction resulting from improper cleaning procedure of the tool.
- 11) Contact of the tool with chemicals, or damage as a result of moisture or corrosion.
- 12) Tools that have been modified or opened by unauthorized personnel.
- 13) Tools used for rent.

The warranty covers only the free of charge replacement of the component that presents a manufacturing defect or material failure. In case of lack of a specific spare part the company reserves the right to replace the tool with another corresponding model. After all warranty procedures have been concluded, the warranty period of the tool shall not be extended or renewed. The spare parts or tools that are replaced remain in the possession of our company. Requirements, other than those mentioned in this warranty form, regarding power tools repair or damage thereof, do not apply. Greek law and relative regulations apply to this warranty.

FR

Les outils électriques sont fabriqués selon des normes strictes, établies par notre société et se sont alignées sur les normes de qualité européennes respectives. Les outils électriques de notre société sont bénéficiés d'une garantie de 24 mois pour une utilisation non professionnelle, 12 mois pour une utilisation professionnelle et de 12 mois pour les batteries et les chargeurs. La garantie est valable à partir de la date d'achat du produit. La preuve du droit à la garantie est le document d'achat de l'outil (ticket de caisse ou facture). En aucun cas, l'entreprise ne couvrira le coût des pièces de rechange et des heures de travail nécessaires si une copie du document d'achat n'est pas présentée. Si la réparation doit être effectuée par notre service après-vente, les frais de transport (aller-retour) sont entièrement à la charge de l'expéditeur (client). Les outils doivent être envoyés pour réparation à l'entreprise ou à un atelier agréé de la manière et avec le moyen de transport appropriée.

EXEMPTIONS ET RESTRICTIONS DE GARANTIE:

- 1) Les pièces de rechange qui s'usent naturellement suite à leur utilisation (balaise, câbles, interrupteurs, chargeurs, etc.).
- 2) Les outils endommagés à la suite du non-respect des instructions du fabricant.
- 3) Outils mal entretenus.
- 4) Utilisation de lubrifiants ou d'accessoires inappropriés.
- 5) Outils donnés à des tiers à titre gratuit.
- 6) Dommages dus à un mauvais branchement électrique ou à une tension différente de celle indiquée sur la plaque de l'appareil.
- 7) Connexion à une alimentation électrique non reliée à la terre.
- 8) Fluctuation de la tension inacceptable.
- 9) Dommages résultant de l'utilisation d'eau salée (par exemple, machines à laver, pompes).
- 10) Dommages ou dysfonctionnement résultant d'une procédure de nettoyage inadéquate de l'appareil.
- 11) Contact de l'outil avec des produits chimiques, ou dommages résultant de l'humidité ou de la corrosion.
- 12) Les outils qui ont été modifiés ou ouverts par du personnel non autorisé.
- 13) Les outils utilisés à location.

La garantie couvre uniquement le remplacement gratuit du composant qui présente un défaut de fabrication ou une défaillance matérielle. En cas d'absence d'une pièce de rechange spécifique, l'entreprise se réserve le droit de remplacer l'outil par un autre modèle correspondant. Après la conclusion de toutes les procédures de garantie, la période de garantie de l'outil ne sera pas prolongée ou renouvelée. Les pièces de rechange ou les outils remplacés restent en possession de notre société. Les exigences, autres que celles mentionnées dans ce formulaire de garantie, concernant la réparation des outils électriques ou leur endommagement, ne sont pas applicables. La loi grecque et ses règlements s'appliquent à cette garantie.

IT

Gli elettrodomestici sono stati fabbricati secondo gli standard rigorosi, stabiliti dalla nostra azienda, che sono allineati con i rispettivi standard di qualità europei. Gli elettrodomestici della nostra azienda sono forniti con un periodo di garanzia di 24 mesi per uso non professionale, 12 mesi per uso professionale e 12 mesi per le batterie e i caricatori. La garanzia è valida dalla data di acquisto del prodotto. La prova del diritto di garanzia è il documento di acquisto dell'utensile (scontrino o fattura). In nessun caso l'azienda coprirà il relativo costo dei pezzi di ricambio e delle rispettive ore di lavoro necessarie se non viene presentata una copia del documento di acquisto. Nel caso in cui la riparazione debba essere effettuata dalla nostra azienda, il costo del trasporto (da e per) è interamente a carico del mittente (cliente). Gli utensili devono essere inviati per la riparazione all'azienda o ad un'officina autorizzata nel modo e nel mezzo di trasporto appropriato.

ECCEZIONI E LIMITAZIONI ALLA GARANZIA:

- 1) Pezzi di ricambio che si deteriorano naturalmente con l'uso (pezzi di consumo).
- 2) Utensili danneggiati dal mancato rispetto delle istruzioni del produttore.
- 3) Strumenti con manutenzione insufficiente.
- 4) Uso di lubrificanti o parti inappropriate.
- 5) Strumenti dati gratuitamente.
- 6) Guasto dovuto a un collegamento dell'aria compressa a una pressione diversa da quella indicata sulla targhetta dei dati tecnici.
- 7) Danni derivanti dall'uso di aria compressa impura e non filtrata.
- 8) Danni o malfunzionamenti derivanti da una pulizia inadeguata dell'utensile.
- 9) Contatto dell'utensile con prodotti chimici, o danni da umidità, corrosione.
- 10) Strumenti che hanno subito modifiche - cambiamenti o sono stati aperti da un'officina non autorizzata.
- 11) Strumenti utilizzati per il noleggio.
- 12) Strumenti che sono stati modificati o aperti da personale non autorizzato.
- 13) Strumenti utilizzati per il noleggio.

La garanzia copre solo la sostituzione gratuita del componente che presenta un difetto di fabbricazione o di materiale. In caso di mancanza di un pezzo di ricambio specifico, l'azienda si riserva il diritto di sostituire l'utensile con un altro modello corrispondente. Una volta concluse tutte le procedure di garanzia, il periodo di garanzia dell'utensile non potrà essere esteso o rinnovato. I pezzi di ricambio o gli utensili che vengono sostituiti rimangono in possesso della nostra azienda. I requisiti, diversi da quelli menzionati in questo modulo di garanzia, riguardanti la riparazione di utensili elettrici o il loro danneggiamento, non si applicano. La legge greca e i relativi regolamenti si applicano a questa garanzia.

AL

Mjetet e energjisë janë prodhuar sipas standardeve strikte, të vendosura nga kompania jonë, të cilat janë në përputhje me standardet respektive evropiane të cilësisë. Mjetet e energjisë të kompanisë sonë janë siguruar me një periudhë garancie prej 24 muajsh për përdorim jo profesional, 12 muaj për përdorim profesional dhe 12 muaj për bateritë dhe karikuesit. Garancia është e vlefshme nga data e blerjes së produktit. Prova e së drejtës së garancisë është dokumenti i blerjes së mjetit (faturë ose faturë me pakicë). Në asnjë rrethanë ndërmarrja nuk mbulon koston përkatëse të pjesëve të këmbimit dhe orarin përkatës të kërkuar të punës, përveç kur është paraqitur një kopje e dokumentit të blerjes. Në rast se riparimi duhet të bëhet nga departamenti ynë i shërbimit kostoja e transportit (për dhe nga) është tërësisht e mbajtur nga dërguesi (klienti). Mjetet duhet të dërgohen për riparim në ndërmarrje ose në një punishte të autorizuar në mënyrën dhe mjetet e duhura të transportit.

PËRJASHTIMET DHE KUFIZIMET E GARANCISË:

- 1) Pjesët rezervë që përdoren në mënyrë natyrale si pasojë e përdorur (furçat, kabllot, ndërruesit, karikuesit, mbytyet etj.).
- 2) Veglat e dëmtuara si rezultat i mosrespektimit të udhëzimeve të prodhuesit.
- 3) Mjetet e mbajtura keq.
- 4) Përdorimi i lubrifikantëve ose aksesoreve të papërshtatshëm.
- 5) Mjetet që u jepen enteëve të treta pa pagesë.
- 6) Dëmtimi për shkak të një lidhje elektrike në një tension tjetër nga ai i treguar në pllakën e pajisjes.
- 7) Lidhja me furnizimin me energji jo tokësore.
- 8) Ndryshimi i tensionit aktual.
- 9) Dëmtimet që vijnë si pasojë e përdorimit të ujit të kripur (p.sh., lavatrice, pompa).
- 10) Dëmtimi ose mosfunksionimi që rezultojnë nga procedura e papërshtatshme e pastrimit të mjetit.
- 11) Kontakti i mjetit me kimikate, ose dëmtimi si pasojë e lagështisë ose korrozionit.
- 12) Mjete që janë modifikuar ose hapur nga personel i paautorizuar.
- 13) Veglat e përdorura për qira.

Garancia mbulon vetëm zëvendësimin pa pagesë të komponentit që paraqet një defekt prodhues ose dështim material. Në rast të mungesës së një pjese rezervë specifike kompania rezervon të drejtën për të zëvendësuar mjetin me një model tjetër përkatës. Pasi të jenë përfunduar të gjitha procedurat e garancisë, periudha e garancisë së mjetit nuk do të zgjatet ose të rinovohet. Pjesët e këmbimit ose mjetet që zëvendësohen mbeten në zotërim të kompanisë sonë. Kërkesat, përveç atyre të përmendura në këtë formë garancie, në lidhje me riparimin ose dëmtimin e mjeteve të energjisë elektrike, nuk zbatohen. Ligji grek dhe rregullat relative zbatohen për këtë garancie.

SRB

Električni alati su proizvedeni prema strogim standardima koje je postavila naša kompanija a koji su usklađeni sa odgovarajućim evropskim standardima kvaliteta. Električni alati naše kompanije imaju garantni rok od 24 meseca za neprofesionalnu upotrebu, 12 meseci za profesionalnu upotrebu i 12 meseci za baterije i punjače. Garancija važi od dana kupovine proizvoda. Dokaz za garanciju je dokument o kupovini električnog alata (maloprodajni račun ili faktura). Ni pod kojim okolnosti ma kompanija neće e pokriri relevantne troškove rezervnih delova i potrebno odgovarajuć e radno vreme ako se ne predoči kopija dokumenta o kupovini. U slučaju da popravku treba da uradi naš servis, troškove transporta (do i od) u potpunosti snosi pošiljalac (klijent). Električni alati za popravku se šalju u firmu gde su kupljeni ili u ovlašćeni servis i to tako da budu prikladno upakovani za transport.

IZUZECI I OGRANIČENJA GARANCIJE:

- 1) Rezervni delovi koji se prirodno troše kao posledica korišćenja (četkice, kablovi, prekidači, punjači, prigušnice itd).
- 2) Alati oštećeni kao posledica nepoštovanja uputstva proizvođača.
- 3) Alati su loše održavani.
- 4) Upotreba neodgovarajućih maziva ili pribora.
- 5) Alati su dati trećim licima besplatno.
- 6) Oštećenje usled električnog priključka na napon koji nije naznačen na pločici uređaja.
- 7) Povezivanje na neuzemljeno napajanje.
- 8) Promena napona struje.
- 9) Oštećenja nastala upotrebom slane vode (npr. mašine za pranje veša, pumpe).
- 10) Oštećenje ili kvar nastao kao posledica nepravilne procedure čišćenja alata.
- 11) Kontakt alata sa hemikalijama ili oštećenje usled vlage ili korozije.
- 12) Alati koje je modifikovalo ili otvorilo neovlašćeno osoblje.
- 13) Alati koji se koriste za iznajmljivanje.

Garancija pokriva samo besplatnu zamenu komponente koja ima fabričku grešku ili materijalne nedostatke. U slučaju nedostatka rezervnog dela, kompanija zadržava pravo zamene električnog alata drugim odgovarajućim modelom. Nakon isteka garantnog roka, garantni rok električnog alata se ne produžava niti obnavlja. Rezervni delovi ili Električni alati koji su zamenjeni ostaju u posedu naše kompanije. Zahtevi, osim onih navedenih u ovom obrascu garancije, u vezi sa popravkom električnog alata ili njegovim oštećenjem ne važe. Na ovu garanciju se primenjuju grčki zakoni i odgovarajući propisi.

EN WARRANTY

This appliance is a quality product. It was designed in compliance with current technical standards and made carefully using normal, good quality materials. The warranty period is 24 months for non-professional use and 12 months for professional use and commences on the date of purchase, which can be verified by the receipt, invoice or delivery note. During this warranty period all functional errors, which, despite the careful treatment described in our operating manual, are verifiably due to material flaws, will be rectified by our after-sales service staff. The warranty takes the form that defective parts will be repaired or replaced with perfect parts free of charge at our discretion. Replaced parts will become our property. Repair work or the replacement of individual parts will not extend the warranty period nor will it result in a new warranty period being commenced for the appliance. No separate warranty period will commence for spare parts that may be used. We cannot offer a warranty for damage and defects on appliances or their parts caused by the use of excessive force, improper treatment and servicing. This also applies for failures to comply with the operating manual and the installation or spare and accessory parts that are not included in our range of products. In the event of interference with or modifications to the appliance by unauthorized persons, the warranty will be rendered void. Damages that are attributable to improper handling, over loading, or natural wear and tear are excluded from the guarantee. Damages caused by the manufacturer or by a material defect will be corrected at no charge by repair or by providing spare parts. The prerequisite is that the equipment is handed over assembled, and complete with the proof of sale and guarantee. For a guarantee claim, only use the original packaging. That way, we can guarantee quick and smooth guarantee processing. Please send us the appliances post-paid or request a Freeway sticker. Unfortunately we will be unable to accept appliances that are not postpaid. The warranty does not cover parts that are subject to natural wear and tear. If you wish to make a warranty claim, report faults or order spare parts or accessories, please contact the after-sales center. Subject to change without prior notice.

DE GARANTIE

Dieses Gerät ist ein Qualitätsprodukt. Es wurde gemäß den aktuellen technischen Standards entworfen und sorgfältig mit normalen, hochwertigen Materialien hergestellt. Die Garantiezeit beträgt 24 Monate bei nicht-professioneller Nutzung und 12 Monate bei professioneller Nutzung und beginnt mit dem Kaufdatum, was anhand von Quittung, Rechnung oder Lieferschein überprüft werden kann. Während dieser Garantiezeit werden alle Funktionsfehler, die trotz der in unserer Bedienungsanleitung beschriebenen sorgfältigen Behandlung nachweislich auf Materialfehler zurückzuführen sind, von unseren Kundendienstmitarbeitern behoben. Die Garantie besteht in der Form, dass defekte Teile nach unserem Ermessen kostenlos repariert oder durch einwandfreie Teile ersetzt werden. Ersetzte Teile werden unser Eigentum. Reparaturarbeiten oder der Austausch einzelner Teile verlängern die Garantiezeit nicht und führen nicht zu einer neuen Garantiezeit für das Gerät. Für eventuell verbrauchte Ersatzteile beginnt keine gesonderte Gewährleistungsfrist. Wir können keine Garantie für Schäden und Mängel an Geräten oder deren Teilen geben, die durch übermäßige Gewaltanwendung, unsachgemäße Behandlung und Wartung verursacht wurden. Dies gilt auch für die Nichtbeachtung der Bedienungsanleitung und der Montage- oder Ersatz- und Zubehörteile, die nicht in unserem Sortiment enthalten sind. Bei Eingriffen in die Änderung durch unbefugte Personen am Gerät erlischt die Garantie. Schäden, die auf unsachgemäße Behandlung, Überlastung oder natürliche Abnutzung zurückzuführen sind, sind von der Garantie ausgeschlossen. Schäden, die vom Hersteller oder durch einen Materialfehler verursacht werden, werden durch Reparatur oder Ersatzteillieferung kostenlos behoben. Voraussetzung ist, dass das Gerät zusammen mit dem Verkaufsbeleg und der Garantie zusammengebaut übergeben wird. Verwenden Sie für einen Garantieanspruch nur die Originalverpackung. Auf diese Weise können wir eine schnelle und reibungslose Garantieabwicklung gewährleisten. Bitte schicken Sie uns die Geräte im Nachhinein oder fordern Sie einen Freeway-Aufkleber an. Geräte, die nicht nachbezahlt werden, können wir leider nicht akzeptieren. Die Garantie erstreckt sich nicht auf Teile, die einem natürlichen Verschleiß unterliegen. Wenn Sie einen Garantieanspruch geltend machen, Fehler melden oder Ersatzteile oder Zubehör bestellen möchten, wenden Sie sich bitte an das Kundendienstcenter. Änderungen vorbehalten.

FR GARANTIE

Cet appareil est un produit de qualité. Il a été conçu conformément aux normes techniques en vigueur et fabriqué avec soin à l'aide de matériaux usuels et de qualité. La période de garantie est de 24 mois pour une utilisation non professionnelle et 12 mois pour une utilisation professionnelle et débute à la date d'achat. Elle peut être vérifiée sur le reçu, la facture ou le bon de livraison. Pendant cette période de garantie, toutes les erreurs de fonctionnement qui, malgré le traitement minutieux décrit dans notre manuel d'utilisation, sont dues à des défauts matériels, seront corrigées par notre service après-vente. La garantie prend la forme que les pièces défectueuses seront réparées ou remplacées par des pièces parfaites gratuitement à notre discrétion. Les pièces remplacées deviendront notre propriété. Les travaux de réparation ou le remplacement de pièces individuelles ne prolongeront pas la période de garantie et n'entraîneront pas le début d'une nouvelle période de garantie pour l'appareil. Aucune période de garantie séparée ne commencera pour les pièces de rechange susceptibles d'être utilisées. Nous ne pouvons pas offrir de garantie pour les dommages et les défauts des appareils ou de leurs pièces causés par l'utilisation d'une force excessive, un traitement ou un entretien inapproprié. Ceci s'applique également aux cas de non-respect du manuel d'utilisation et de l'installation ou des pièces détachées et accessoires non compris dans notre gamme de produits. En cas d'interférence avec des modifications apportées à l'appareil par des personnes non autorisées, la garantie sera annulée. Les dommages résultant d'une mauvaise manipulation, d'un chargement excessif ou d'une usure naturelle sont exclus de la garantie. Les dommages causés par le fabricant ou par un défaut matériel seront corrigés gratuitement par la réparation ou par la fourniture de pièces de rechange. La condition préalable est que le matériel soit remis assemblé et accompagné de la preuve de vente et de la garantie. Pour une demande de garantie, utilisez uniquement l'emballage d'origine. De cette manière, nous pouvons garantir un traitement rapide et sans heurts des garanties. S'il vous plaît envoyez-nous les appareils post-payés ou demandez un autocollant Freeway. Malheureusement, nous ne pourrions pas accepter les appareils non post-payés. La garantie ne couvre pas les pièces soumises à une usure naturelle. Si vous souhaitez faire une demande de garantie, signaler un défaut ou commander des pièces de rechange ou des accessoires, veuillez contacter le service après-vente: Sujet à modification sans préavis.

ESP GARANTÍA

Este aparato es un producto de calidad. Fue diseñado de acuerdo con las normas técnicas actuales y se hizo con cuidado utilizando materiales normales y de buena calidad. El período de garantía es de 24 meses para uso no profesional y de 12 meses para uso profesional y comienza en la fecha de compra, que puede verificarse mediante el recibo, la factura o la nota de entrega. Durante este período de garantía, todos los errores funcionales que, a pesar del tratamiento cuidadoso que se describen en nuestro manual de operación, son verificables debido a fallas materiales, serán corregidos por nuestro personal de servicio postventa. La garantía adquiere la forma de que las piezas defectuosas se repararán o reemplazarán con piezas perfectas de forma gratuita a nuestra discreción. Las partes reemplazadas se convertirán en nuestra propiedad. Los trabajos de reparación o el reemplazo de piezas individuales no ampliarán el período de garantía, no dará lugar a que se comience un nuevo período de garantía para el aparato. No se iniciará ningún período de garantía por separado para las piezas de repuesto que puedan ser utilizadas. No podemos ofrecer una garantía por daños y defectos en los aparatos o sus partes causados por el uso excesivo de la fuerza, el tratamiento y el servicio incorrectos. Esto también se aplica a las fallas en el cumplimiento del manual de operación y la instalación o piezas de repuesto y accesorios que no están incluidos en nuestra gama de productos. En caso de interferencia con modificaciones al aparato por parte de personas no autorizadas, la garantía quedará anulada. Los daños que son atribuibles a un manejo inadecuado, sobrecarga o desgaste natural están excluidos de la garantía. Los daños causados por el fabricante o por un defecto de material se corregirán sin costo alguno por reparación o proporcionando piezas de repuesto. El requisito previo es que el equipo se entregue ensamblado y se complete con el comprobante de venta y garantía. Para una reclamación de garantía, utilice únicamente el embalaje original. De esta manera, podemos garantizar un rápido y suave procesamiento de garantías. Por favor, envíenos los electrodomésticos con pospago o solicite una etiqueta de Freeway. Lamentablemente, no podremos aceptar aparatos que no sean de pospago. La garantía no cubre las piezas que están sujetas a desgaste natural. Si desea realizar un reclamo de garantía, informar fallas o solicitar piezas de repuesto o accesorios, comuníquese con el centro de postventa: Sujeto a cambios sin previo aviso.

IT

GARANZIA

Questo apparecchio è un prodotto di qualità. È stato progettato in conformità con le attuali norme tecniche e realizzato con attenzione utilizzando materiali normali di buona qualità. Il periodo di garanzia è di 24 mesi per uso non professionale e di 12 mesi per uso professionale e decorre dalla data di acquisto, che può essere verificata tramite ricevuta, fattura o bolla di consegna. Durante questo periodo di garanzia tutti gli errori funzionali, che, nonostante l'accurato trattamento descritto nel nostro manuale operativo, sono verificabili a causa di difetti dei materiali, verranno risolti dal nostro personale di assistenza post-vendita. La garanzia assume la forma che le parti difettose saranno riparate o sostituite con parti perfette gratuitamente a nostra discrezione. Le parti sostituite diventeranno di nostra proprietà. I lavori di riparazione o la sostituzione di singole parti non prolungheranno il periodo di garanzia, poiché non si verificherà un nuovo periodo di garanzia per l'apparecchio. Non inizierà alcun periodo di garanzia separato per i pezzi di ricambio che possono essere utilizzati. Non possiamo offrire una garanzia per danni e difetti su apparecchi o loro parti causati dall'uso di forza eccessiva, trattamento e manutenzione inadeguati. Ciò vale anche per il mancato rispetto del manuale operativo e delle parti di installazione o di ricambio e accessori non inclusi nella nostra gamma di prodotti. In caso di interferenza con modifiche che all'apparecchio da parte di persone non autorizzate, la garanzia sarà invalidata. Sono esclusi dalla garanzia i danni riconducibili a uso improprio, sovraccarico o usura naturale. I danni causati dal prodotto o da un difetto o materiale verranno corretti gratuitamente mediante riparazione o fornitura di pezzi di ricambio. Il presupposto è che l'attrezzatura sia consegnata assemblata e completa con la prova di vendita e garanzia. Per una richiesta di garanzia, utilizzare solo la confezione originale. In questo modo, possiamo garantirvi un'elaborazione della garanzia rapida e agevole. Vi preghiamo di inviarci gli elettrodomestici post-pagamento o richiedere un adesivo Freeway. Purtroppo non saremo in grado di accettare apparecchi che non sono postpagati. La garanzia non copre parti soggette a usura naturale. Se si desidera presentare una richiesta di intervento in garanzia, segnalare guasti o ordinare pezzi di ricambio o accessori, contattare il centro assistenza: soggetto a modifiche senza preavviso.

SLO

GARANCIJA

Ta aprava je kakovosten izdelek. Zasnovan je bil v skladu z veljavnimi tehničnimi standardi in skrbno izdelan z običajnimi, kakovostnimi materiali. Garancijsko obdobje je 24 mesecev za neprofesionalno uporabo in 12 mesecev za profesionalno uporabo in se začne na dan nakupa, ki ga je mogoče preveriti s potrdilom o prejemu, računom ali dobavnico. V času garancijskega roka bodo vse funkcionalne napake, ki so kljub skrbni obdelavi, opisani v naših navodilih za uporabo, preverljive zaradi materialnih napak, odpravile naše servisno osebje. Garancija prevzame obliko, da bodo okvarjeni deli po lastni presoji brezplačno popravljene ali zamenjane z brezhibnimi deli. Zamenjani deli bodo postali naša last. Popravila ali zamenjava posameznih delov ne podaljšujejo garancijskega roka, dokler ne začne veljati nova garancijska doba za napravo. Za rezervne dele, ki se lahko pojavijo, se ne bo začelo ločeno garancijsko obdobje. Ne moremo ponuditi garancije za poškodbe in napake na napravah ali njihovih delih zaradi uporabe prekomerne sile, nepravilne obdelave in servisiranja. To velja tudi za neupoštevanje navodil za uporabo in namestitve ali rezervnih delov in dodatkov, ki niso vključeni v našo paleto izdelkov. V primeru motenj v napravi s strani nepooblaščenih oseb, se garancija razveljavi. Poškodbe, ki so posledica nepravilnega ravnanja, obremenitve ali naravne obrabe, so izključene iz garancije. Poškodbe, ki jih povzročijo proizvajalec ali materialna napaka, se bodo popravile ali popravile z zagotavljanjem rezervnih delov. Predpogoj je, da se oprema preda sestavljena in skupaj z dokazilom o prodaji in garancijo. Za garancijski zahtevek uporabite samo originalno embalažo. Tako lahko zagotovimo hitro in gladko obdelavo garancij. Prosimo, pošljite nam naprave po plačilu ali zahtevajte nalepko za Freeway. Na žalost ne bomo mogli sprejeti naprav, ki niso postpaid. Garancija ne zajema delov, ki so predmet naravne obrabe. Če želite vložiti zahtevek za garancijo, prijaviti napake ali naročiti nadomestne dele ali dodatno opremo, se obrnite na spodnji prodajni center: Pridržujemo si pravico do sprememb brez predhodnega obvestila.

MLT

GARANYIJA

Dan l-apparat huwa prodott ta 'kwalità. Kienet imfassla f'konformità mal-istandards tekniċi attwali u saret b'attenzjoni bl-użu ta 'materjali normali u ta' kwalità tajba. Il-perjodu tal-garanzija huwa ta '24 xahar għal użu mhux professjonali u 12-il xahar għall-użu professjonali u jibda fid-data tax-xiri, li jista' jiġi vverifikat bir-riċevuta, fattura jew nota tal-kunsinna. Matul dan il-perjodu ta 'garanzija l-iżbalji funzjonali kollha, li, minkejja t-trattament bir-reqq deskritt fil-manwal operattiv tagħna, huma verifikabbli minħabba difetti materjali, se jiġu kkoreġuti mill-istaff tagħna tas-servizz ta' wara l-bejgħ. Il-garanzija tiegħu l-forma li partijiet difettużi se jissewewew jew jiġu sostitwiti bi partijiet perfetti bla ħlas fid-diskreżjoni tagħna. Partijiet mibdula jsiru proprjetà tagħna. Ix-xogħol ta 'tiswija jew is-sostituzzjoni ta' partijiet individwali ma jestendux il-perjodu ta 'garanzija mhux se jirriżulta f'li jibda perjodu ġdid ta' garanzija għall-apparat. Ma jibda l-ebda perjodu ta 'garanzija separat għal spare parts li jistgħu jiġu ted. Ma nistgħux noffru garanzija għal ħsara u difetti fuq l-apparat jew il-partijiet tagħhom ikkawżati mill-użu ta 'forza eċċessiva, trattament mhux xieraq u manutenzjoni. Dan japplika wkoll għal nuqqasijiet ta 'konformità mal-manwal tat-thaddim u l-installazzjoni jew partijiet ta' rikambju u aċċessorji li mhumiex inkluzi fil-firxa ta 'prodotti tagħna. Fil-każ ta 'interferenza ma' modifiki fl-apparat minn persuni mhux awtorizzati, il-garanzija ssir nulla. Ħsarat li huma attribwiti għal immaniġġjar hażin, tagħbija żejda, jew xedd u kedd naturali huma esklużi mill-garanzija. Danni kkawżati mill-manifattur jew minn difett materjali se jiġu kkoreġuti mingħajr ħlas permezz ta 'tiswija jew billi jiġu pprovduti spare parts. Il-pre-rekwiżit huwa li t-tagħmir jiġi mġoddi immuntat, u komplut bil-prova tal-bejgħ u l-garanzija. Għal talba ta 'garanzija, uża biss l-imballaġġ originali. B'dan il-mod, nistgħu nigarantixxu proċessar ta 'garanzija malajr u bla xkiel. Jekk jogħġbok ibgħatilna l-appliances post-paid jew itlob stiker tal-Freeway. Sfortunatament ma nkunux nistgħu naċċettaw apparat li ma jithallasx wara. Il-garanzija ma tkoprix partijiet li huma soġġetti għal ilbies u kedd naturali. Jekk tixtieq tagħmel talba għall-garanzija, irrapporta ħsarat jew tordna spare parts jew aċċessorji, jekk jogħġbok ikkuntatt ja ċ-ċentru ta 'wara l-bejgħ: Soġġett għal bidla mingħajr avviż minn qabel.

SK

ZÁRUKA

Tento spotřebič je kvalitní výrobek. Bol navrhnutý v súlade s platnými technickými normami a opatrne používal bežné a kvalitné materiály. Záručná doba je 24 mesiacov na neprofesionálne použitie a 12 mesiacov na profesionálne použitie a začína plynúť dátumom nákupu, ktorý je možné overiť potvrdením, faktúrou alebo dodacím listom. Počas tejto záručnej lehoty všetky funkčné chyby, ktoré napriek starostlivej úprave popísanej v našom návode na obsluhu sú overiteľné z dôvodu materiálnych nedostatkov, opravujú naši pracovníci popredajného servisu. Záruka má formu, že vadné časti budú opravené alebo nahradené perfektnými dielmi bezplatne podľa nášho uváženia. Nahradené diely sa stanú našimi vlastnosťami. Opravné práce alebo výmena jednotlivých dielov predĺženie záručnej lehoty nevedie k vzniku novej záručnej lehoty pre spotrebič. Za náhradné diely, ktoré môžu byť dodané, sa nezačína samostatná záručná lehota. Nemôžeme ponúknuť záruku na poškodenie a poškodenie spotrebičov alebo ich častí spôsobené nadmernou silou, nesprávnou obsluhou a servisom. Platí to aj pre poruchy v súlade s návodom na obsluhu a inštaláciou alebo náhradnými dielmi a príslušenstvom, ktoré nie sú súčasťou našej ponuky. V prípade zásahu do modifikácie spotrebiča neoprávnenými osobami sa záruka stane neplatnou. Škody, ktoré sú spôsobené nesprávnou manipuláciou, nadmerným zaťažením alebo prirodzeným opotrebovaním, sú z záruky vylúčené. Škody spôsobené výrobcom alebo chybou materiálu budú opravené bezplatne opravou alebo poskytnutím náhradných dielov. Predpokladom je, že zariadenie je odovzdané a kompletné s dokladom o predaji a zárukou. Pokiaľ ide o nárok na záruku, použite iba pôvodný obal. Týmto spôsobom môžeme zaručiť rýchle a plynulé spracovanie záruky. Pošlite nám, prosím, spotrebiče, ktoré ste už zaplatili, alebo požiadajte o nálepku Freeway. Bohužiaľ nebudeme môcť prijať zariadenia, ktoré nie sú vyplatené. Záruka sa nevzťahuje na časti, ktoré sú vystavené prirodzenému opotrebovaniu. Ak chcete požiadať o záruku, oznámiť chyby alebo objednať náhradné diely alebo príslušenstvo, obráťte sa na nižšie uvedené stredisko popredajného servisu: Podliehajú zmenám bez predchádzajúceho upozornenia.

BG ГАРАНЦИЯ

Този уред е качествен продукт. Той е проектиран в съответствие с действащите технически стандарти и е направен внимателно при използване на нормални, качествени материали. Гаранционният срок е 24 месеца за непрофесионално ползване и 12 месеца за професионална употреба и започва да тече от датата на покупката, която може да бъде потвърдена с квитанция, фактура или документ за доставка. По време на този гаранционен период всички функционални грешки, които, въпреки внимателното третиране, описано в нашето ръководство за експлоатация, са проверими поради материални недостатъци, ще бъдат отстранени от нашия сервизен персонал. Гаранцията приема формата, в която дефектните части ще бъдат ремонтирани или заменени с перфектни части безплатно по наше усмотрение. Подменените части ще станат наша собственост. Ремонтните работи или подмяната на отделни части няма да удължат гаранционния срок, без това да доведе до започване на нов гаранционен период за уреда. За резервни части, които могат да бъдат поставени, няма да започне отделен гаранционен срок. Не можем да предложим гаранция за повреди и дефекти на уредите или техните части, причинени от използването на прекомерна сила, неправилно третиране и обслужване. Това важи и за неспазване на ръководството за експлоатация и инсталацията, както и резервни и допълнителни части, които не са включени в нашата гама от продукти. В случай на намеса в модификации на уреда от неупълномощени лица, гаранцията ще бъде премахната. Шети, които се дължат на неправилно боравене, натоварване или естествено износване, са изключени от гаранцията. Шети, причинени от производителя или от дефект на материала, ще бъдат поправени без заплащане чрез ремонт или чрез предоставяне на резервни части. Предпоставка е оборудването да се съблява и да се допълни с доказателство за продажба и гаранция. За гаранционна претенция използвайте само оригиналната опаковка. По този начин можем да гарантираме бърза и гладка обработка на гаранциите. Моля, изпратете ни уредите след плащане или заявете стикер на Freeway. За съжаление няма да можем да приемем уреди, които не са с абонамент. Гаранцията не покрива части, които са обект на естествено износване. Ако желаете да направите гаранционна претенция, да съобщите за неизправности или да поръчате резервни части или аксесоари, моля свържете се с центъра за поддръжка: Подлежи на промяна без предизвестие.

RO GARANȚIE

Acest aparat este un produs de calitate. A fost proiectat în conformitate cu standardele tehnice actuale și a făcut cu atenție materiale normale, de bună calitate. Perioada de garanție este de 24 de luni pentru uz neprofesionist și de 12 luni pentru uz profesional și începe la data cumpărării, care poate fi verificată prin chitanță, factură sau buletin de livrare. În timpul acestei perioade de garanție, toate erorile funcționale, care, în ciuda tratamentului atent descris în manualul nostru de utilizare, sunt verifiabile din cauza defectelor materiale, vor fi rectificate -cate de personalul nostru de service post-vânzare. Garanția ia forma faptului că piesele defecte vor fi reparate sau înlocuite cu piese perfecte gratuit, la discreția noastră. Piesele înlocuite vor deveni proprietatea noastră. Lucrările de reparații sau înlocuirea pieselor individuale nu vor prelunge perioada de garanție, deoarece nu vor duce la începerea unei noi perioade de garanție pentru aparat. Nu se va începe nici o perioadă de garanție separată pentru piesele de schimb care pot fi incluse. Nu putem oferi o garanție pentru defecțiunile și defectele aparatelor sau ale pieselor acestora cauzate de utilizarea forței excesive, tratarea necorespunzătoare și întreținerea. Acest lucru se aplică și în caz de nerespectare a manualului de utilizare și a pieselor de instalare sau de rezervă și accesoriilor care nu sunt incluse în gama noastră de produse. În caz de interferență cu modurile de operare ale aparatului de către persoane neautorizate, garanția va fi anulată. Daunele care pot fi atribuite manipulării necorespunzătoare, supraîncălzirii sau uzurii naturale sunt excluse din garanție. Deteriorările cauzate de producător sau de un defect material vor fi corectate gratuit, prin reparații sau prin furnizarea de piese de schimb. Condiția prealabilă este ca echipamentul să fi fost predat în asamblare și să fi completat cu dovada vânzării și a garanției. Pentru o cerere de garanție, utilizați numai ambalajul original. În acest fel, putem garanta procesarea rapidă și fără probleme a garanției. Trimiteți-ne aparatul post-plătiți sau solicitați un autocolant Freeway. Din păcate, nu vom putea accepta dispozitivul ve care nu sunt plătiți postpaid. Garanția nu acoperă piese care sunt supuse uzurii naturale. Dacă doriți să solicitați o garanție, să semnalați defecțiuni sau să comandați piese de schimb sau accesorii, vă rugăm să contactați centrul de asistență tehnică: Pot fi modificate fără o notificare prealabilă.

NMK GARANCIJA

Oвој уред е квалитетен производ. Дизајниран е во согласност со тековните технички стандарди и направен е внимателно со употреба на нормални, квалитетни материјали. Гарантниот период е 24 месеци за непрофесионална употреба и 12 месеци за професионална употреба и започнува на датумот на купување, што може да се потврди со потврда, фактура или испратница. За време на овој гарантен период, сите функционални грешки, кои, и покрај внимателниот третман опишан во нашето упатство за работа, се проверливи поради материјални недостатоци, ќе бидат поправени од нашиот персонал по продажбата. Гаранцијата има форма дека неисправните делови ќе бидат поправени или заменети со совршени делови бесплатно по наша дискреција. Заменетите делови ќе станат наша сопственост. Работата за поправка или замената на поединечни делови нема да го продолжи гарантниот период и нема да резултира со започнување на нов гарантен период за апаратот. Нема да започне посебен гарантен период за резервните делови што може да се тераат. Не можеме да понудиме гаранција за оштетувања и дефекти на апаратите или нивните делови предизвикани од употреба на прекумерна сила, несоодветен третман и сервисирање. Ова исто така важи и за неусогласеност со упатството за работа и инсталацијата или резервните и дополнителните делови кои не се вклучени во нашата палета на производи. Во случај на мешање на модификации на апаратот од страна на неовластени лица, гаранцијата ќе се поништи. Штетите што се припишуваат на неправилно ракување, прекумерно оптоварување или природно абеење се исклучени од гаранцијата. Штетите предизвикани од производителот или од материјален дефект ќе се коригираат бесплатно со поправка или со обезбедување резервни делови. Предуслов е опремата да биде предадена склопена, и комплетна со доказ за продажба и гаранција. За гаранција, користете го само оригиналното пакување. На тој начин, можеме да гарантираме брза и непречена обработка на гаранциите. Ве молиме испратете ни ги апаратите пост-пејд или побарајте налепница за автопат. За жал, нема да можеме да прифатиме апарати што не се постпејд. Гаранцијата не опфаќа делови кои се предмет на природно абеење и кинење. Доколку сакате да поднесете барање за гаранција, да пријавите дефекти или да нарачате резервни делови или додатоци, ве молиме контактирајте го постпродажниот центар: Може да се промени без претходна најава.

HUN GARANCIA

Ez a készülék minőségi termék. Úgy tervezték, hogy megfeleljen a jelenlegi műszaki szabványoknak, és gondosan, normál, jó minőségű anyagokkal készült. A jótállási idő nem professzionális használat esetén 24 hónap, szakmai használat esetén 12 hónap, és a vásárlás napján kezdődik, amelyet a kézhezvétellel, a számla vagy a kézbesítési értesítés igazolhat. A garanciaidő alatt minden olyan funkcionális hiba, amely az üzemeltetési utasításunkban leírt gondos kezelés ellenére bizonyíthatóan az anyagi hibák miatt következik be, a vevőszolgálatunk javítja. A garancia olyan formája, hogy a hibás alkatrészek javítása vagy cseréje a tökéletes alkatrészekkel ingyenes. A cserélt részek tulajdonunk lesz. A javítási munkák vagy az egyes részek cseréje nem hosszabbítja meg a jótállási időszakot, és nem eredményez új garanciaidő megkezdését a készülék számára. Nincs külön garanciaidő a pótalkatrészek esetén. Nem nyújtunk garanciát a készülékek vagy alkatrészeik károsodására és hibáira a túlzott erő, a helytelen kezelés és a karbantartás miatt. Ez vonatkozik az üzemeltetési utasítás és a telepítés, illetve a tartalék és tartozék alkatrészeinek meg nem felelésére is, amelyek nem tartoznak a termékínálatunkba. Abban az esetben, ha a készülék jogosulatlan személy általi módosításai zavarnak, a garancia érvényét veszti. A nem megfelelő kezelés, a terhelés vagy a természetes kopás okozta károk nem tartoznak a garancia hatálya alá. A gyártó vagy az anyaghiba által okozott károkat a javítás vagy a pótalkatrészek beszerzése nélkül kijavítják. Az előfeltétel az, hogy a berendezést összeszerelték, és az értékesítés és a garancia igazolásával kiegészüljön. A garancia igényléséhez csak az eredeti csomagolást használja. Így garantálhatjuk a gyors és zökkenőmentes garanciafeldolgozást. Kérjük, küldje el nekünk a készüléket utólag fizetett vagy kérjen Freeway matricát. Sajnos nem tudjuk elfogadni a nem utólag fizetett készülékeket. A garancia nem terjed ki a természetes kopásnak kitett alkatrészekre. Ha garanciális igényt kíván nyújtani, hibákat jelenteni vagy pótalkatrészeket vagy tartozékokat rendelni, kérjük, vegye fel a kapcsolatot az alábbi értékesítési központtal: Előzetes értesítés nélkül változhat.

POL GWARANCJA

To urządzenie jest produktem wysokiej jakości. Został zaprojektowany zgodnie z aktualnymi standardami technicznymi i wykonany starannie przy użyciu zwykłych, dobrej jakości materiałów. Okres gwarancji wynosi 24 miesiące w przypadku użytku nieprofesjonalnego i 12 miesięcy w przypadku użytku profesjonalnego i rozpoczyna się w dniu zakupu, który można zweryfikować za pomocą paragonu, faktury lub dowodu dostawy. W okresie gwarancji wszystkie błędy funkcjonalne, które pomimo starannego traktowania opisanego w naszej instrukcji obsługi, są weryfikowalne przez wady materiałowe, zostaną naprawione przez nasz personel obsługi posprzedażnej. Gwarancja ma formę, w której wadliwe części zostaną naprawione lub wymienione na części zamiennie bezpłatnie według naszego uznania. Wymienione części staną się naszą własnością. Naprawa lub wymiana pojedynczych części nie przedłuży okresu gwarancji, nie spowoduje to rozpoczęcia nowego okresu gwarancyjnego dla urządzenia. Nie rozpocznie się oddzielny okres gwarancji na części zamiennie, które mogą być używane. Nie możemy zaoferować gwarancji na uszkodzenia i usterki urządzeń lub ich części spowodowane użytkowaniem nadmiernej siły, niewłaściwego traktowania i serwisowania. Dotyczy to również nieprzestrzegania instrukcji obsługi i instalacji lub części zamiennych i akcesoriów, które nie są zawarte w naszej ofercie produktów. W przypadku ingerencji w modyfikacje urządzenia przez osoby nieuprawnione, gwarancja zostanie unieważniona. Szkody, które można przypisać niewłaściwej obsłudze, nadmiernemu obciążeniu lub naturalnemu zużyciu, są wyłączone z gwarancji. Uszkodzenia spowodowane przez producenta lub wadę materiałową zostaną naprawione bezpłatnie przez naprawę lub przez dostarczenie części zamiennych. Warunkiem wstępnym jest przekazanie sprzętu w komplecie wraz z dowodem sprzedaży i gwarancją. W przypadku reklamacji należy używać tylko oryginalnego opakowania. W ten sposób możemy zagwarantować szybkie i płynne przetwarzanie gwarancji. Prześlij nam urządzenia post-paid lub zamów naklejkę na autostradę. Niestety nie będziemy mogli akceptować urządzeń, które nie są opłacane z dołu. Gwarancja nie obejmuje części ulegających naturalnemu zużyciu. Jeśli chcesz zgłosić roszczenie gwarancyjne, zgłośić usterki lub zamówić części zamiennie lub akcesoria, skontaktuj się z następującym centrum obsługi posprzedażnej: Zastrzega się możliwość zmian bez uprzedzenia.

ALB GARANCIA

Kjo pajisje është një produkt cilësor. Washtë hartuar në përputhje me standardet aktuale teknike dhe është bërë me kujdes duke përdorur materiale normale, me cilësi të mirë. Periudha e garancisë është 24 muaj për përdorim jo profesional dhe 12 muaj për përdorim profesional dhe fillon në datën e blerjes, e cila mund të vërtetohet me faturën, faturën ose dorëzimin. Gjatë kësaj periudhe garancie, të gjitha gabimet funksionale, të cilat, përkundër trajtimit të kujdesshëm të përkthuesit në manualin tonë të funksionimit, janë verifikueshëm për shkak të metave të materialit, do të korrigjohen nga stafi ynë i shërbimit pas shitjes. Garancia merr formën që pjesët e dëmtuara do të riparohen ose zëvendësohen me pjesët e përsosura falas, sipas gjykimit tonë. Pjesët e zëvendësuara do të bëhen pronë jonë. Puna e riparimit ose zëvendësimit i pjesëve individuale nuk do të zgjasë periudhën e garancisë, por nuk do të rezultojë në fillimin e një periudhe të re garancie për pajisjen. Asnjë periudhë e veçantë e garancisë nuk do të fillojë për pjesët rezervë që mund të merren. Në nuk mund të ofrojmë një garanci për dëmtimin dhe defektet e pajisjeve ose pjesëve të tyre të shkaktuara nga përdorimi i forcës së tepërt, trajtimi dhe shërbimi i pahijshëm. Kjo gjithashtu vlen për dështimet në përputhje me manualin e funksionimit dhe instalimin ose pjesët rezervë dhe aksesorë që nuk përfshihen në gamën tonë të produkteve. Në rast ndërhyrje në modifikimet e pajisjes nga persona të paautorizuar, garancia do të hiqet. Dëmet që mund t'i atribuohen trajtimit të pahijshëm, ngarkimit të tepërt, ose konsumit natyror, përjashtohen nga garancia. Dëmet e shkaktuara nga prodhuesi ose nga një defekt i materialit do të korrigjohen pa pagesë me riparim ose duke siguruar pjesë këmbimi. Parakushti është që pajisjet të dorëzohen të montuara, dhe të kompletuara me provën e shitjes dhe garancisë. Për një kërkesë garancie, përdorni vetëm paketimin origjinal. Në atë mënyrë, ne mund të garantojmë përpunim të shpejtë dhe të qetë të garancisë. Ju lutemi na dërgoni pajisjet me postë të paguar ose kërkoni një afishe autostradë. Për fat të keq, ne nuk do të jemi në gjendje të pranohim pajisje që nuk janë me kontratë. Garancia nuk përfshin pjesë që i nënshtrohen konsumit natyror. Nëse dëshironi të bëni një kërkesë për garanci, të raportoni gabime ose të porosisni pjesë rezervë ose pajisje, ju lutemi kontaktoni qendrën pas shitjes: Subjekti për të ndryshuar pa njëfjalim paraprak.

HR JAMSTVO

Ovaj je uređaj kvalitetan proizvod. Dizajniran je u skladu s trenutnim tehničkim standardima i izrađen je pažljivo koristeći normalne, kvalitetne materijale. Garancijsko razdoblje je 24 mjeseca za neprofesionalnu upotrebu i 12 mjeseci za profesionalnu uporabu i započinje datumom kupnje, što se može potvrditi potvrdom primitka, računa ili dostavnice. Tijekom ovog jamstvenog razdoblja sve će funkcionalne pogreške, koje su unatoč pažljivom postupanju opisanom u našem priručniku za upotrebu provjerljivo zbog materijalnih nedostataka, otkloniti od strane našeg servisnog osoblja. Jamstvo ima oblik da će se oštećeni dijelovi besplatno popraviti ili zamijeniti savršenim dijelovima, po našem nahođenju. Zamijenjeni dijelovi postat će naše vlasništvo. Popravak ili zamjena pojedinih dijelova neće produžiti jamstveno razdoblje, jer neće rezultirati novim jamstvenim rokom za uređaj. Neće započeti zasebni jamstveni rok za rezervne dijelove koji se mogu trošiti. Ne možemo pružiti jamstvo za oštećenja i oštećenja uređaja ili njihovih dijelova uzrokovanih prekomjernom silom, nepravilnim postupanjem i servisiranjem. To se također odnosi i na neusklađivanje s uputama za uporabu i instalacijskim ili rezervnim i pomoćnim dijelovima koji nisu uključeni u naš asortiman proizvoda. U slučaju ometanja neovlaštenih osoba na izmjenama uređaja, jamstvo će se poništiti. Oštećenja koja se mogu pripisati nepravilnom rukovanju, preopterećenju ili prirodnom habanju isključena su iz jamstva. Štete uzrokovane proizvođačem ili oštećenjem materijala ispravit će se besplatnim popravkom ili osiguravanjem rezervnih dijelova. Predviđet je da se oprema preda u sastavu, zajedno s dokazom o prodaji i garancijom. Za garancijski zahtjev koristite samo originalno pakiranje. Na taj način možemo jamčiti brzu i glatku obradu jamstava. Pošaljite nam uređaje naknadno ili zatražite naljepnicu autoputa. Nažalost, nećemo biti u mogućnosti prihvatiti uređaje koji nisu pretplaćeni. Jamstvo ne obuhvaća dijelove koji su podložni prirodnom habanju. Ako želite podnijeti zahtjev za jamstvom, prijaviti kvarove ili naručiti rezervne dijelove ili pribor, molimo kontaktirati najbliži prodajni centar: Podložno promjenama bez prethodne najave.

SRB GARANCIJA

Ovaj aparat je kvalitetan proizvod. Dizajniran je u skladu sa trenutnim tehničkim standardima i rađen pažljivo koristeći normalne, kvalitetne materijale. Garantni rok je 24 meseca. Garantni rok je 24 meseca za neprofesionalno korišćenje i 12 meseci za profesionalnu upotrebu i započinje danom kupovine, što se može verifikovati primaњem, fakturom ili otpremnicom. Tokom ovog garantnog perioda, sve funkcionalne greške koje se, uprkos pažljivom postupanju opisanom u našem uputstvu za upotrebu, verovatno mogu proveriti zbog materijalnih nedostataka, otkloniće od strane našeg servisnog osoblja. Garancija dobija oblik da će se neispravni delovi popraviti ili zameniti savršenim delovima besplatno po našem nahođenju. Zameњeni delovi postaću naše vlasništvo. Popravci ili zamenja pojedinih delova neće produžiti garantni rok jer neće rezultirati novim garancijskim rokom za aparat. Neće početi poseban garantni rok za rezervne delove koji se mogu napuniti. Ne možemo pružiti garanciju za oštećenja i oštećenja uređaja ili njihovih delova nastalih prekomernom silom, nepravilnim tretmanom i servisiraњem. Ovo se takođe odnosi i na nepoštovaње uputstva za upotrebu i instalacionih ili rezervnih i pomoćnih delova koji nisu obuhvaćeni našim asortimanom proizvoda. U slučaju ometaња modifikacija uređaja od strane neovlašćenih osoba, garancija će se poništiti. Oštećenja koja se mogu pripisati nepravilnom rukovaњу, preopterećenju ili prirodnom habaњу su isključena iz garancije. Oštećenja nastala od strane proizvođača ili oštećenja materijala ispravljaće se ili popravlaњem rezervnih delova besplatno. Preuslov je da se oprema preda u sastavu, zajedno sa dokazom o prodaji i garancijom. Za zahtev o garanciji koristite samo originalno pakovaње. Na taj način možemo garantovati brzu i glatku obradu garancija. Pošaljite nam uređaje naknadno ili zatražite nalepnicu sa autoputa. Nažalost, nećemo biti u mogućnosti da prihvatimo uređaje koji nisu plaćeni. Garancija ne pokriva delove koji su izloženi prirodnom habaњу. Ako želite da podnesete zahtev za garancijom, prijavite greške ili naručite rezervne delove ili dodatnu opremu, molimo kontaktirajte doњи prodajni centar: Mogu se promeniti bez prethodne najave.

